

CONFIGURATION

/S Modifier 65-45-12 Ductile Iron, Buna-N, Blackened

TECHNICAL DATA

Body Type	Line mount
Interface	None
Body Features	Ninety degree
Mounting Hole Diameter	.42 in.
Mounting Hole Depth	Through
Mounting Hole Quantity	2
Open Cavities	1
Cavity	T-2A
Port Size	SAE 12
Model Weight	2.72 lb.

NOTES

Important: Carefully consider the maximum system pressure. The pressure rating of the manifold is dependent on the manifold material, with the port type/size a secondary consideration. Manifolds constructed of aluminum are not rated for pressures higher than 3000 psi (210 bar), regardless of the port type/size specified.

PORT DESIGNATORS

Modifiers	Ports
BCL	Ports 1 & 2: SAE 12; Port 3: SAE 6;

CONFIGURATION OPTIONS
Model Code Example: BCL/S

MODIFIER _____ **(/S)**
/S 65-45-12 Ductile Iron, Buna-N, Blackened
 6061-T651 Aluminum, Buna-N

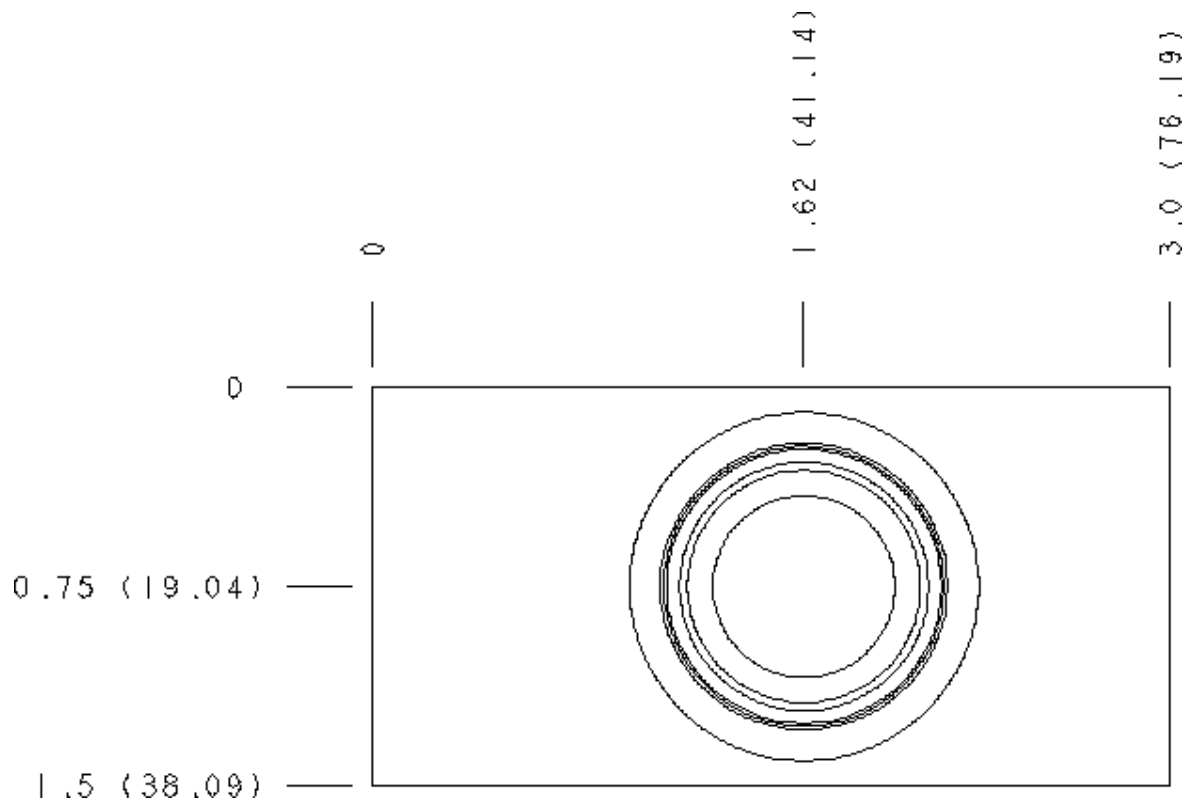
MANIFOLD FACES

FACE GRID

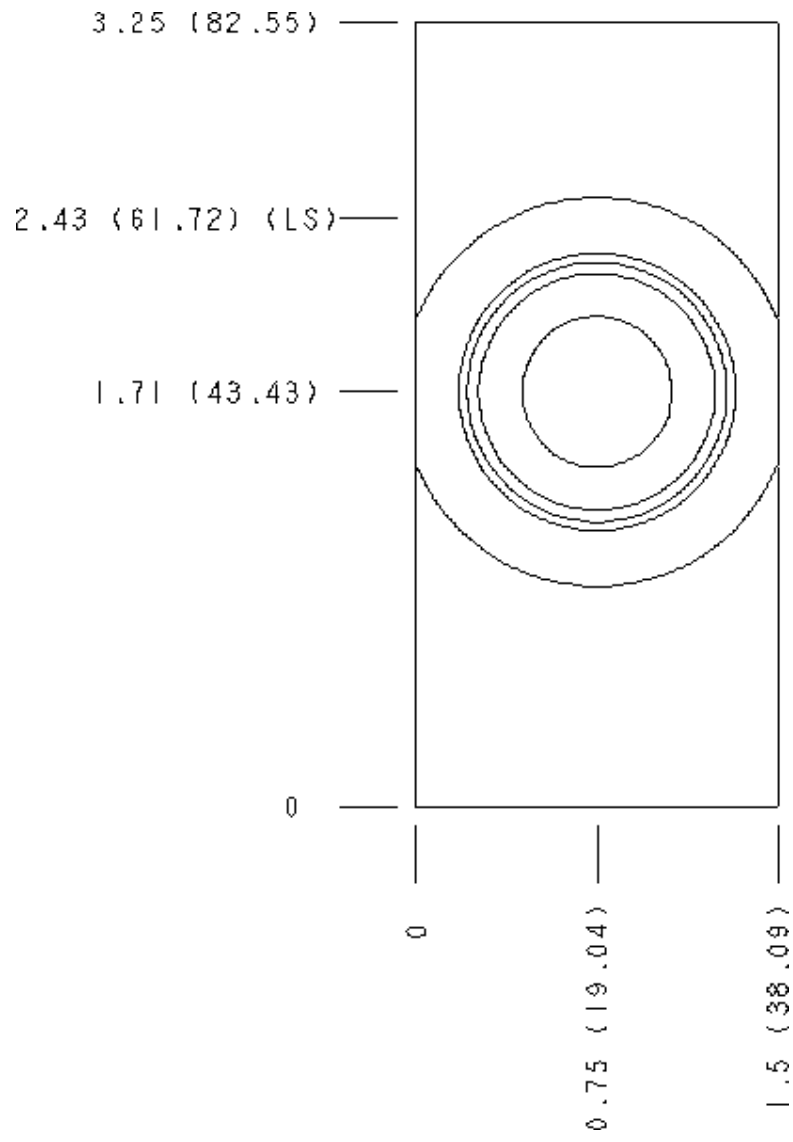


5	6	7	8
9	10	11	12

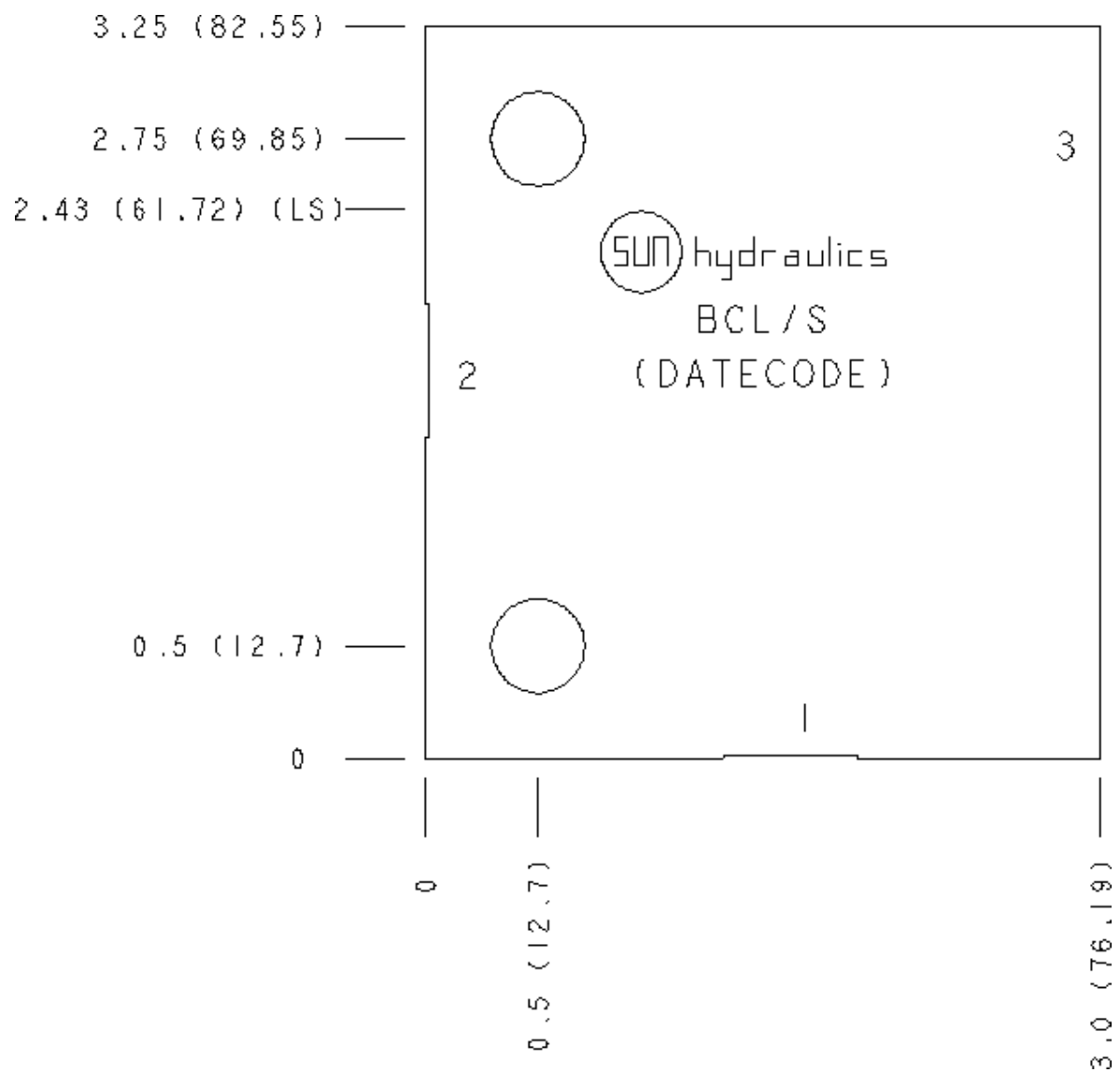
Face 2



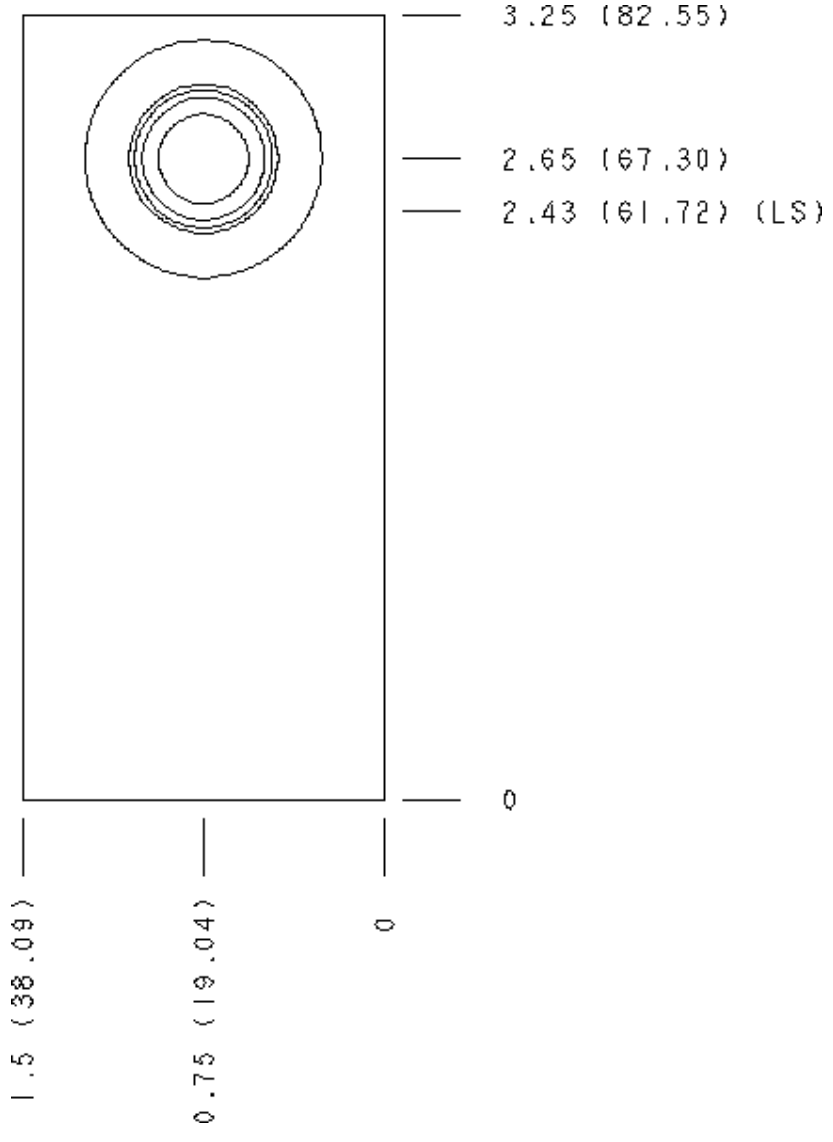
Face 5



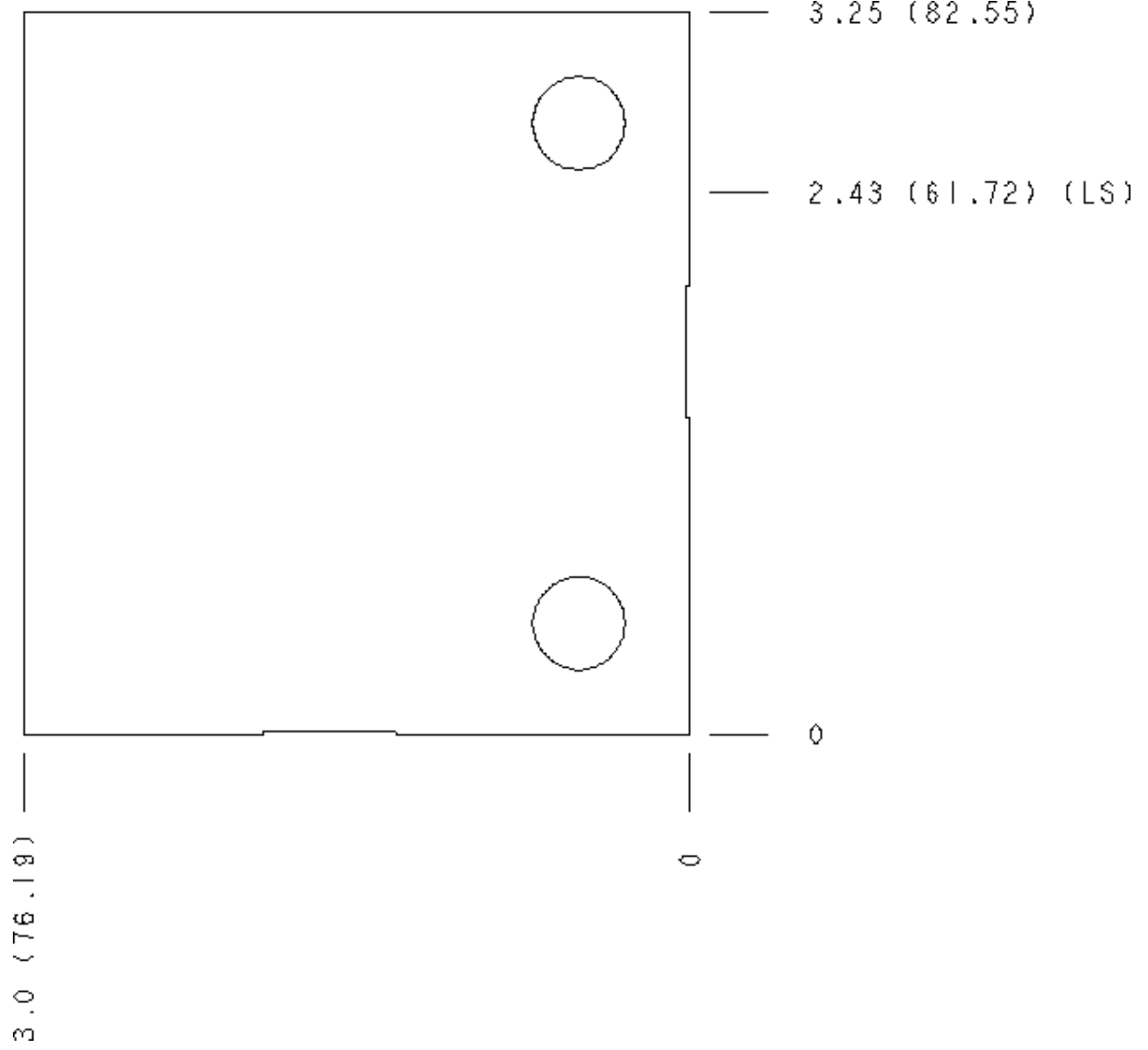
Face 6



Face 7



Face 8



Face 10

