

TECHNICAL DATA

| | |
|------------------------|---------------|
| Body Type | Line mount |
| Interface | None |
| Body Features | Ninety degree |
| Mounting Hole Diameter | .42 in. |
| Mounting Hole Depth | Through |
| Mounting Hole Quantity | 2 |

NOTES *Important:* Carefully consider the maximum system pressure. The pressure rating of the manifold is dependent on the manifold material, with the port type/size a secondary consideration. Manifolds constructed of aluminum are not rated for pressures higher than 3000 psi (210 bar), regardless of the port type/size specified.

PORT DESIGNATORS

| Modifiers | Ports |
|-----------|--|
| BCC | Ports 1 & 2: 1/2" NPTF; Port 3: 1/4" NPTF; |

CONFIGURATION OPTIONS

Model Code Example: BCC

MODIFIER

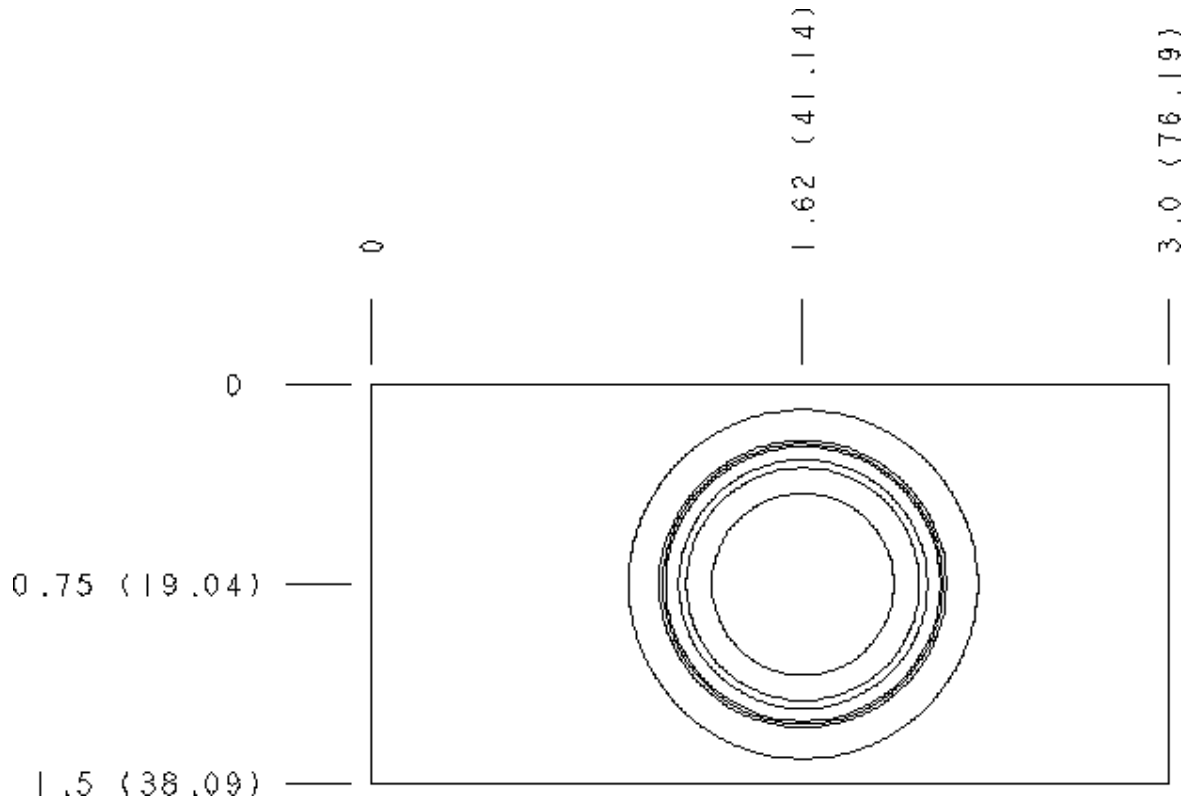
6061-T651 Aluminum, Buna-N
IS 65-45-12 Ductile Iron, Buna-N, Blackened

MANIFOLD FACES

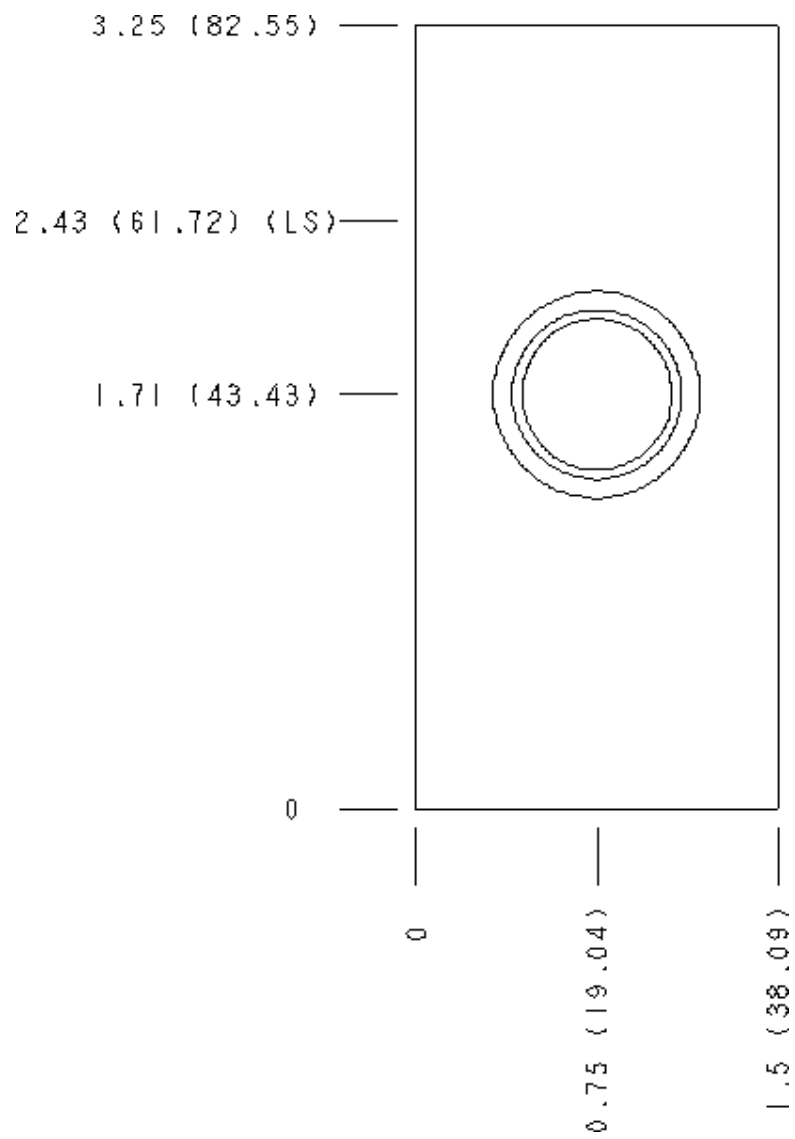
FACE GRID

| | | | |
|---|----|----|----|
| 1 | 2 | 3 | 4 |
| 5 | 6 | 7 | 8 |
| 9 | 10 | 11 | 12 |

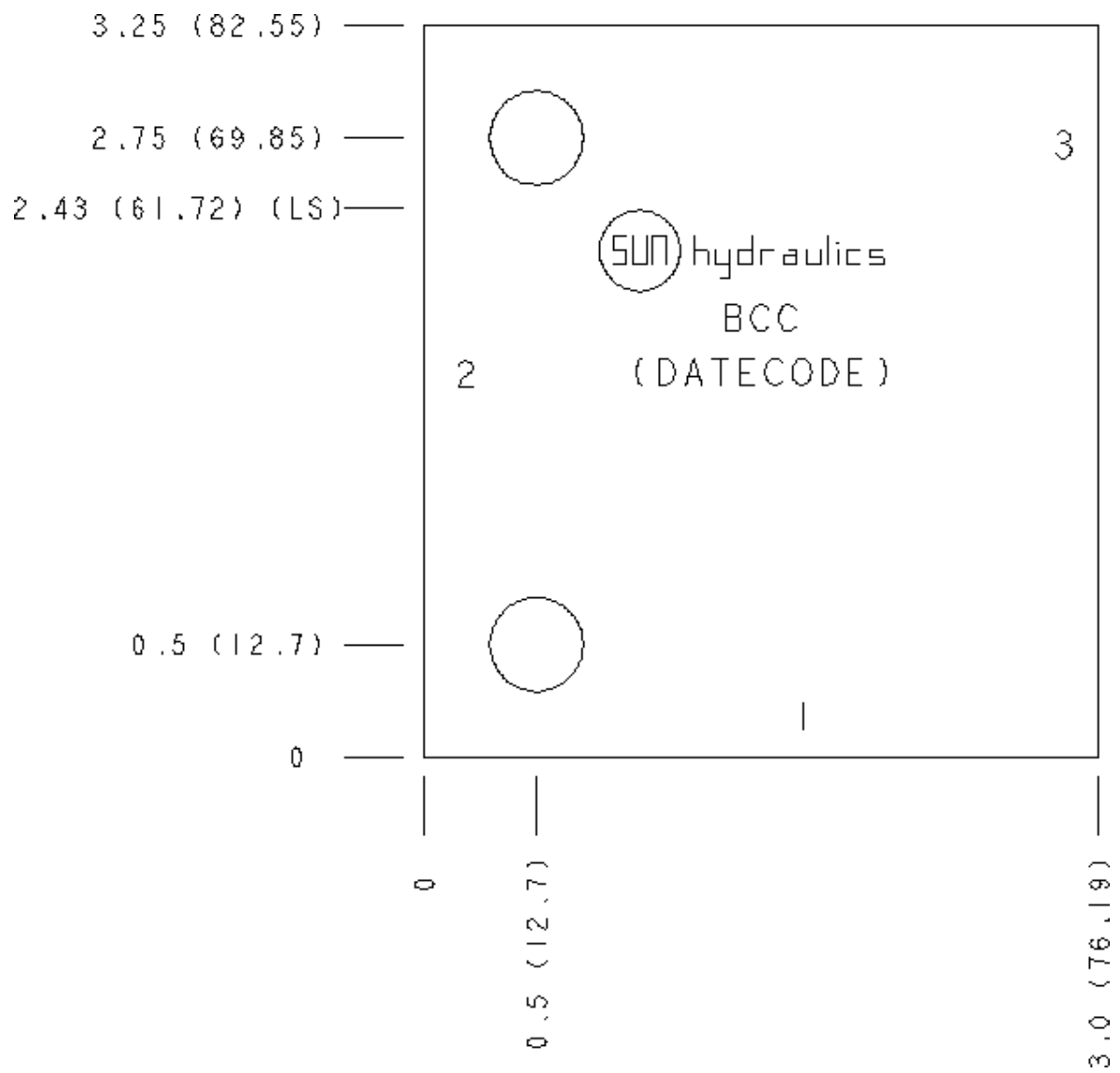
Face 2



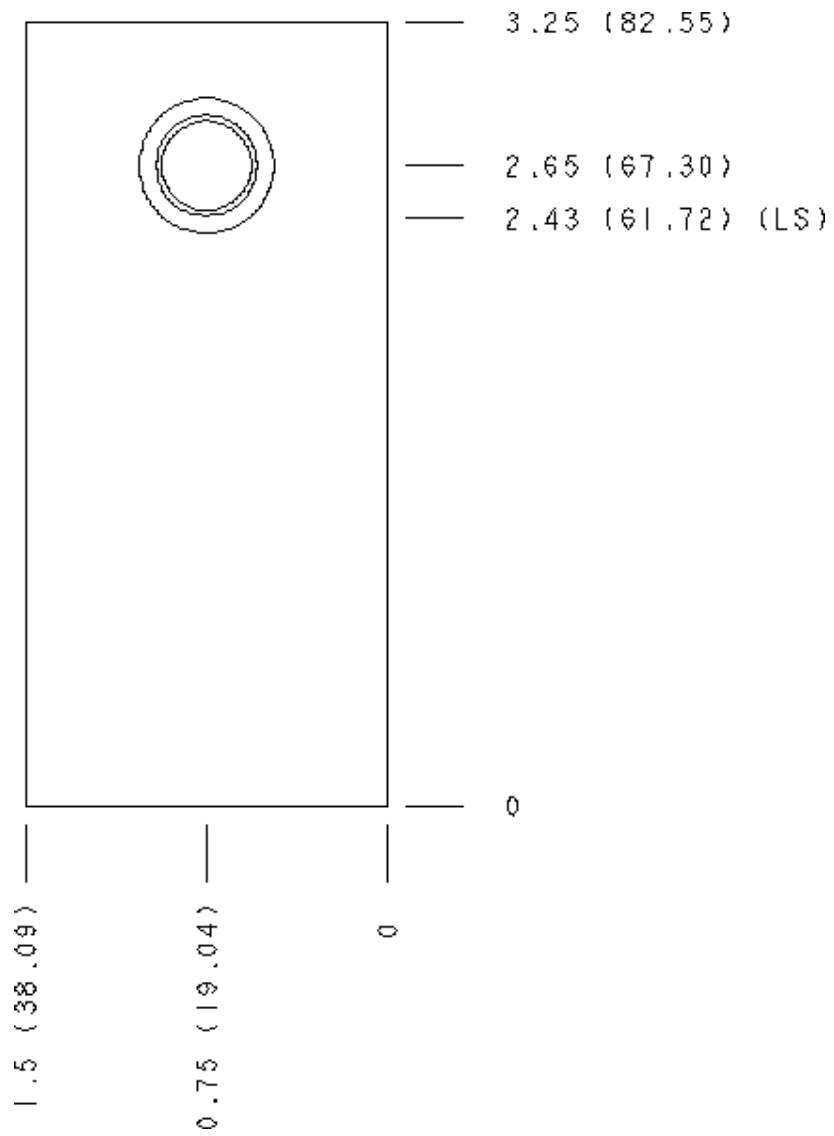
Face 5



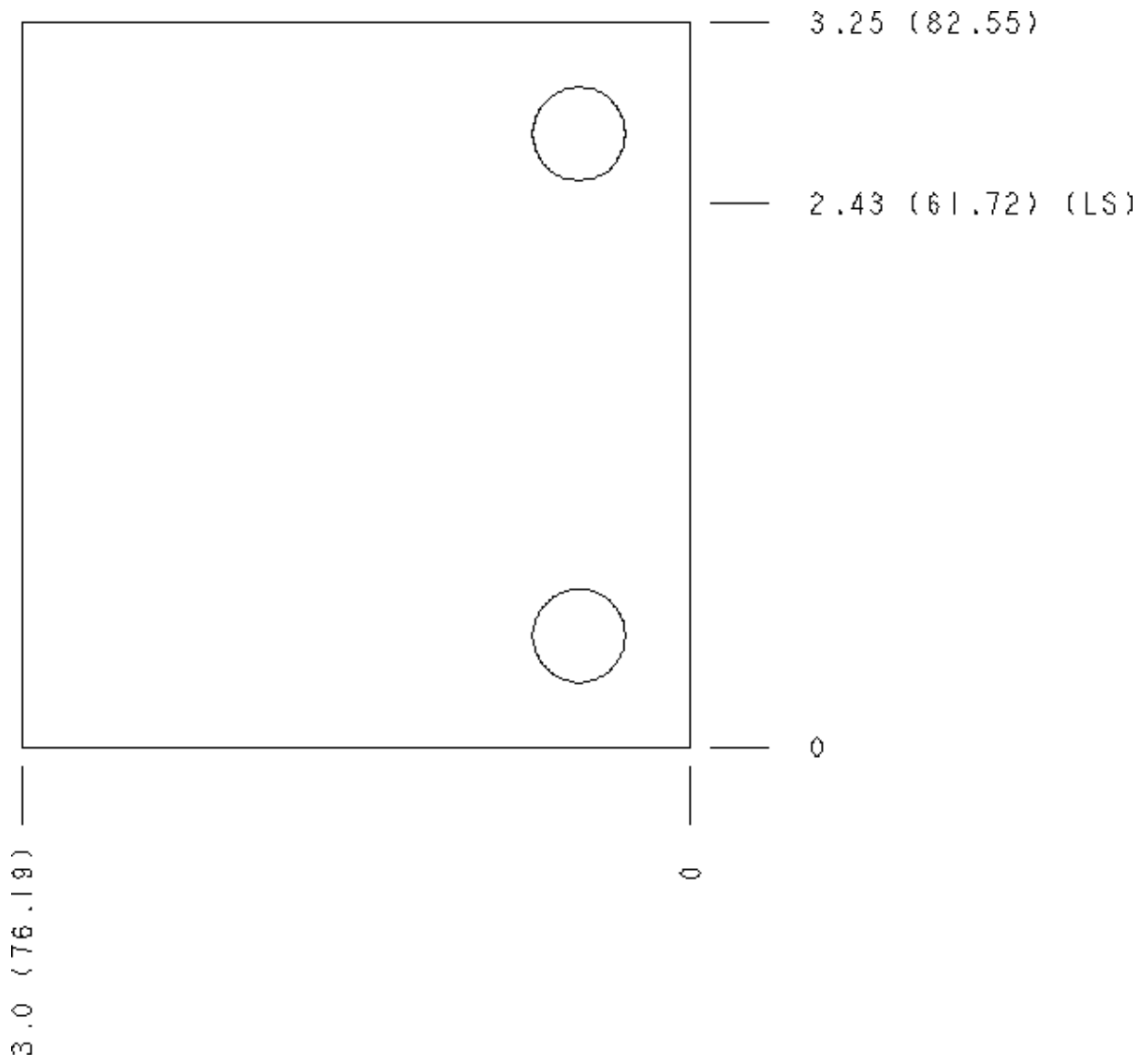
Face 6



Face 7



Face 8



Face 10

