

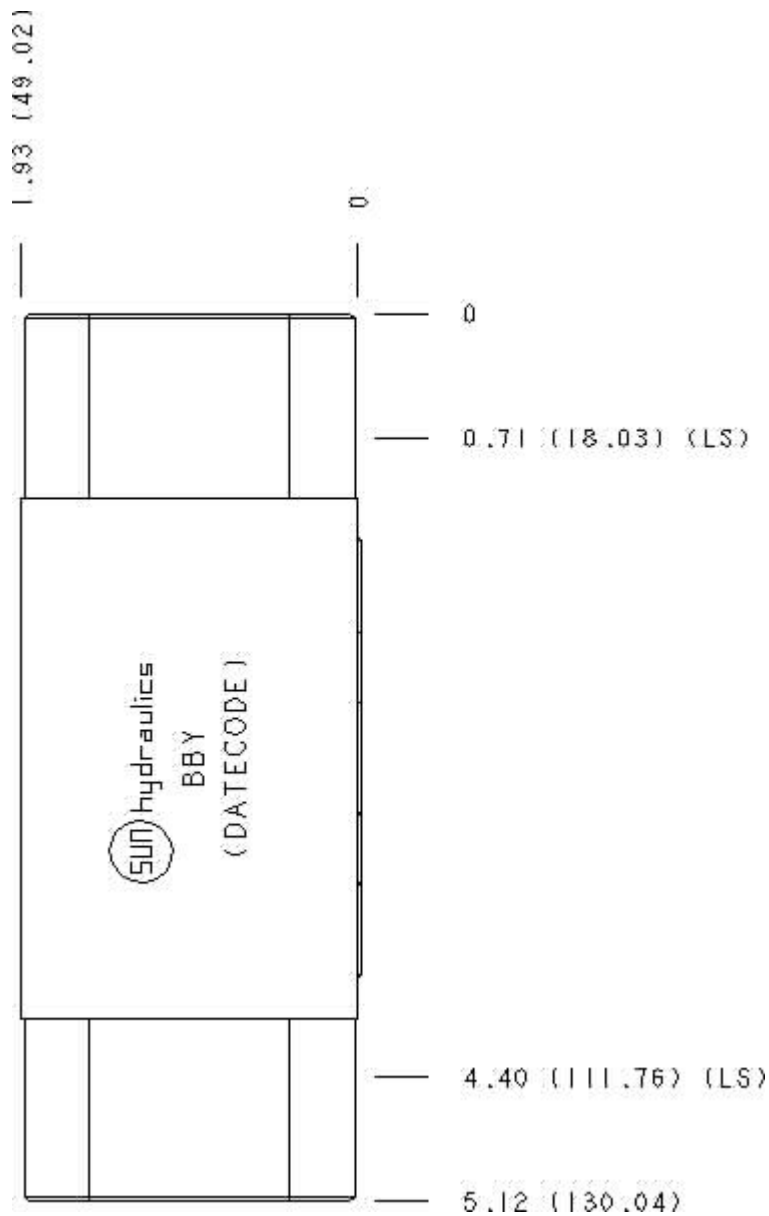
Functional Group:

Model:

Products : Manifolds : Sandwich : Counterbalance : ISO 05 : On A and B with cross pilot

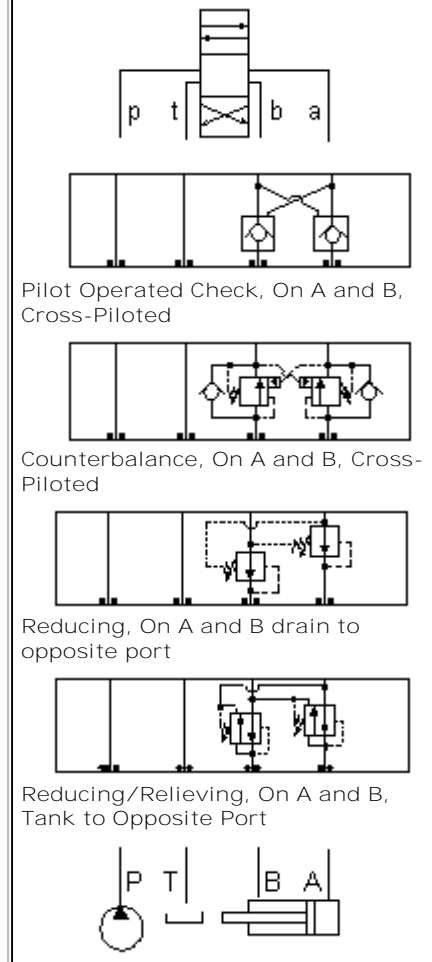
BBY

Face : 7



Cartridge extension measurement is to the centerline of the cartridge.

Function



Aluminum Body Pressure Rating: **3000 psi (210 bar)**

Ductile Iron Body Pressure Rating: **5000 psi (350 bar)**

Technical Data



	U.S. Units	Metric Units
Model Weight	1.84 lb.	0.83 kg.
Cavity	T-2A	
Body Features	On A and B with cross pilot	
Body Type	Sandwich	
Interface	ISO 05	
Open Cavity Quantity	2	

Option Selection:

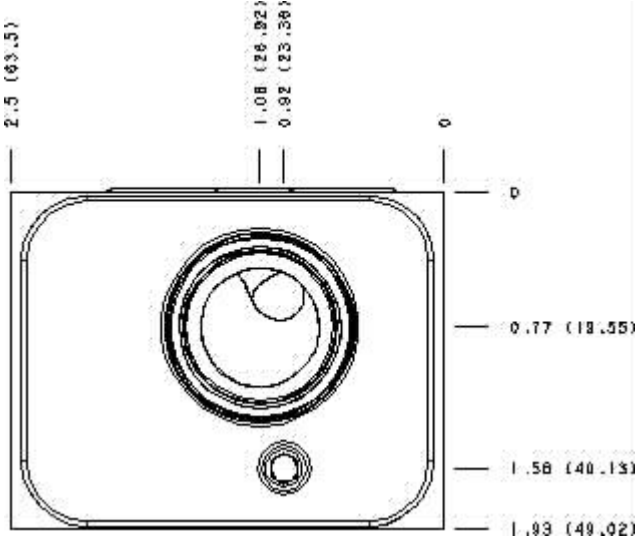
Model Code	Description
BBY	Aluminum, Buna-N, U.S. Units
BBY	Aluminum, Buna-N, U.S. Units
BBY/S	Ductile Iron, Buna-N, U.S. Units
BBY/S	Ductile Iron, Buna-N, U.S. Units
BBY/S2	Ductile Iron, Buna-N, U.S. Units
BBY/S2	Ductile Iron, Buna-N, U.S. Units
BBY/V	Aluminum, Viton, U.S. Units
BBY/V	Aluminum, Viton, U.S. Units
BBY/Y	Ductile Iron, Viton, U.S. Units
BBY/Y	Ductile Iron, Viton, U.S. Units
BBY/Y2	Ductile Iron, Viton, U.S. Units
BBY/Y2	Ductile Iron, Viton, U.S. Units

Special Notes :

No Special Notes available for selected Model.



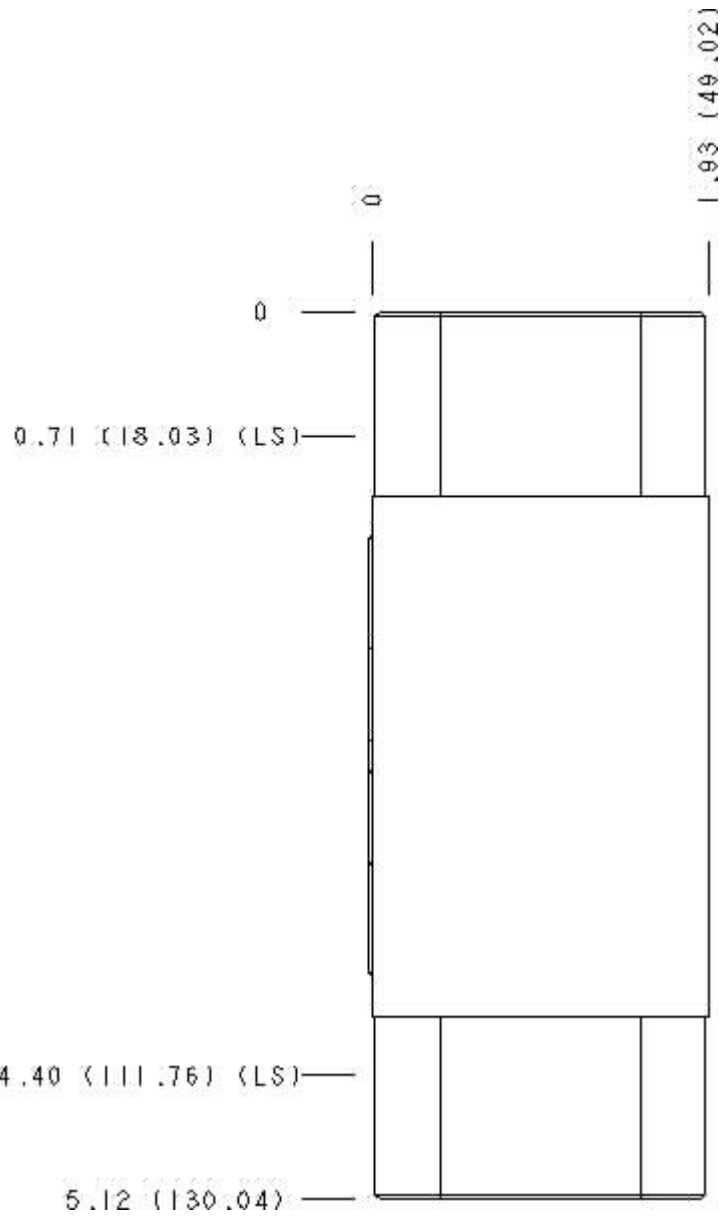
Face : 2



Cartridge extension measurement is to the centerline of the cartridge.



Face : 5



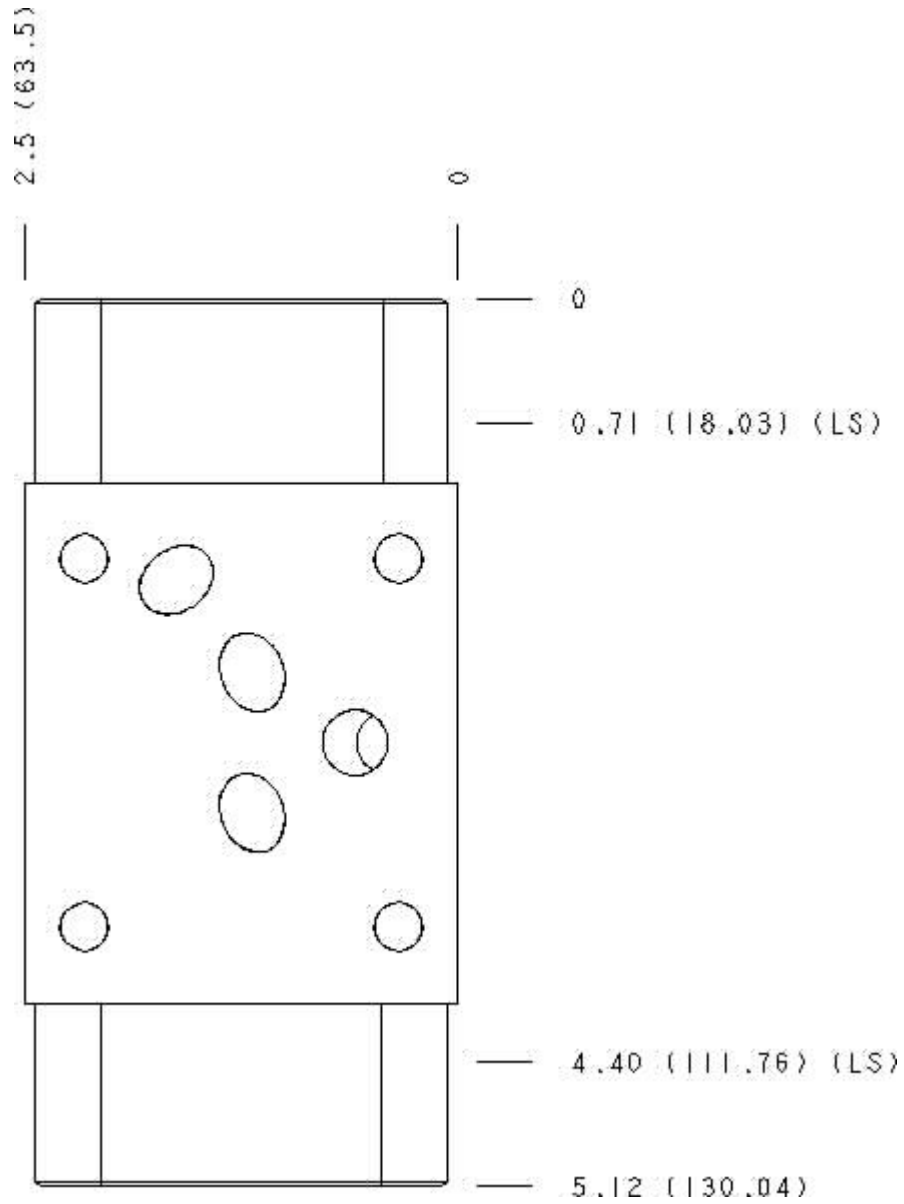
Cartridge extension measurement is to the centerline of the cartridge.



Functional Group:
 Products : Manifolds : Sandwich : Counterbalance : ISO 05 : On A and B with
 cross pilot

Model:
 BBY

Face : 6



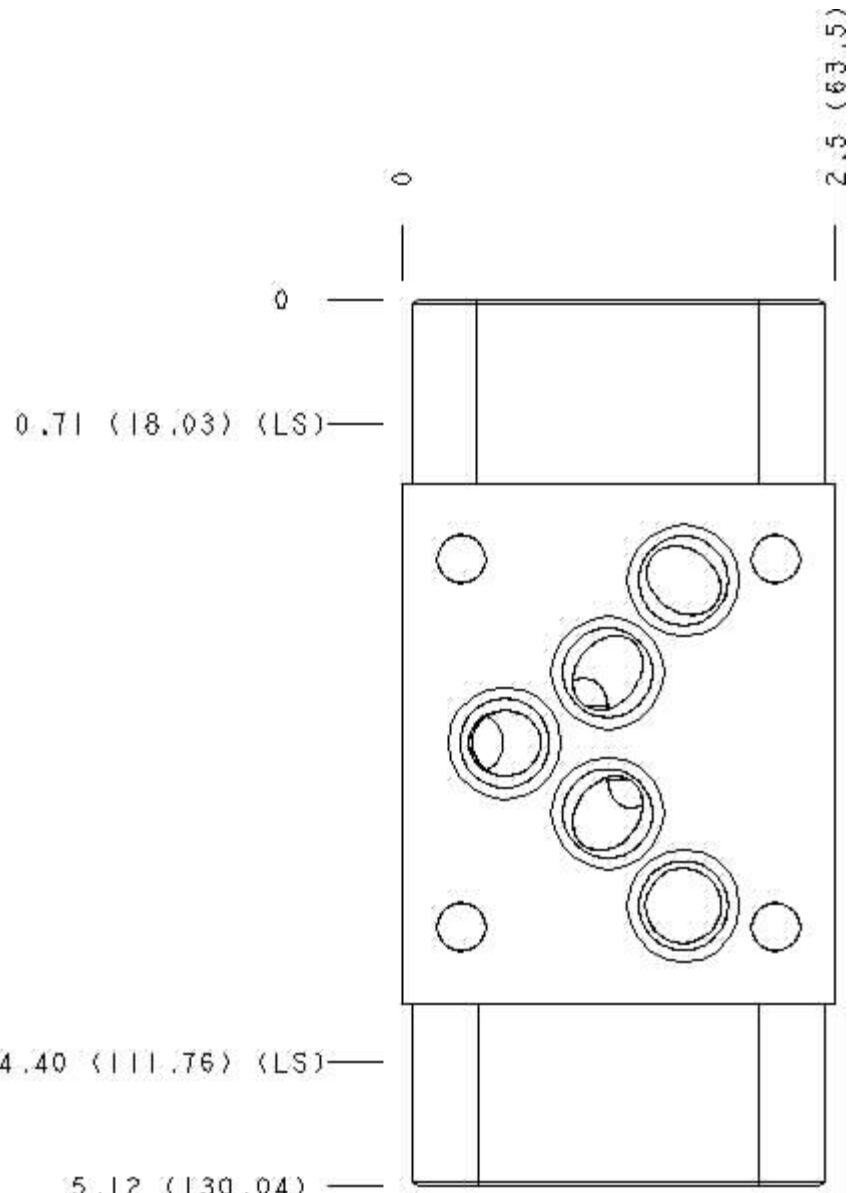
Cartridge extension measurement is to the centerline of the cartridge.



Functional Group:
 Products : Manifolds : Sandwich : Counterbalance : ISO 05 : On A and B with
 cross pilot

Model:
 BBY

Face : 8



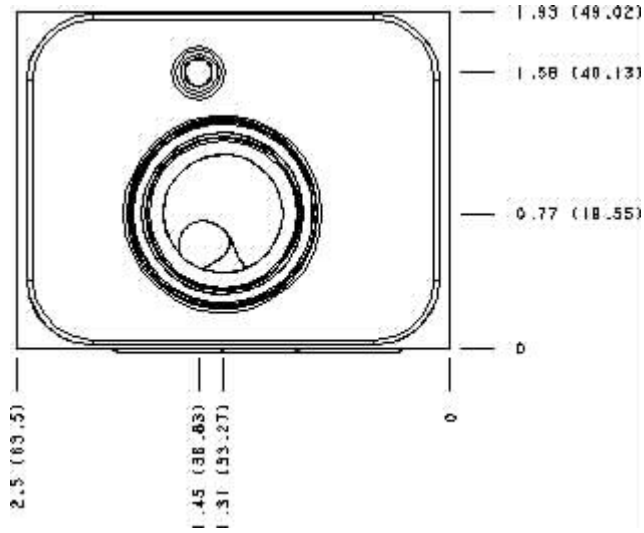
Cartridge extension measurement is to the centerline of the cartridge.



Functional Group:
 Products : Manifolds : Sandwich : Counterbalance : ISO 05 : On A and B with
 cross pilot

Model:
 BBY

Face : 10



Cartridge extension measurement is to the centerline of the cartridge.



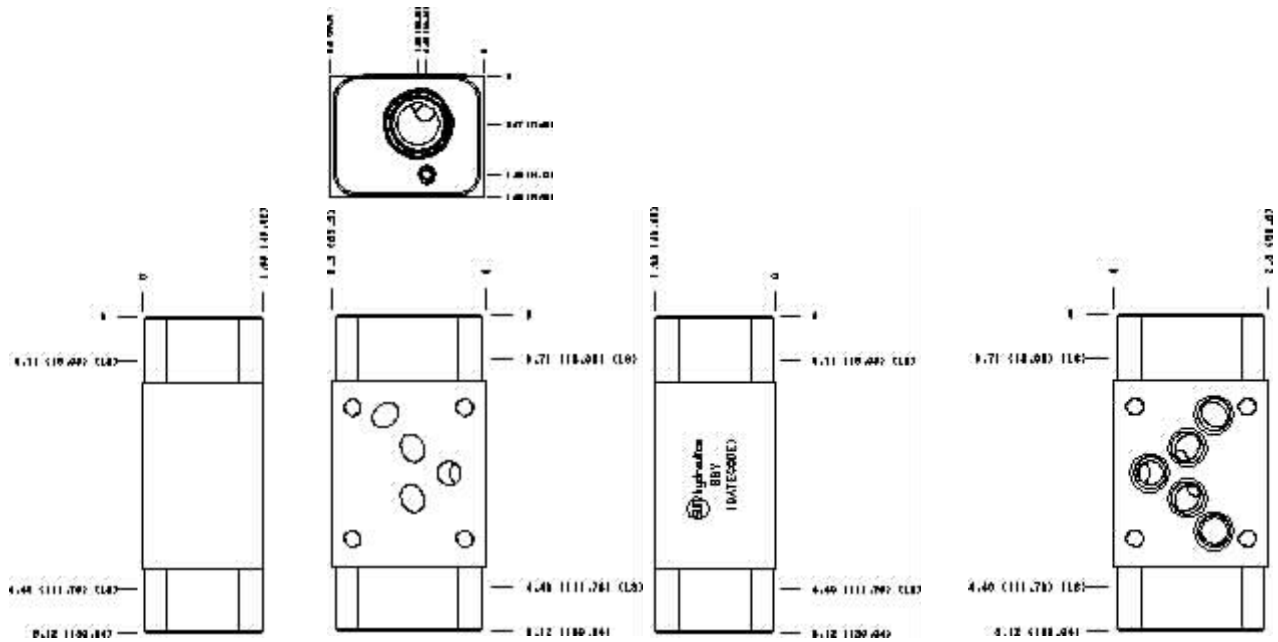
Functional Group:

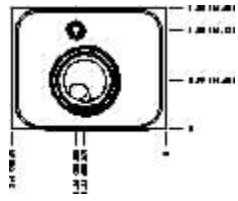
Products : Manifolds : Sandwich : Counterbalance : ISO
 05 : On A and B with cross pilot

Model:
 BBY

Projection Type

All Dimensions in Inches(mm)





Copyright © 2003 Sun Hydraulics Corporation.
All rights reserved.

[Terms and Conditions](#) - [Statement of Privacy](#)