

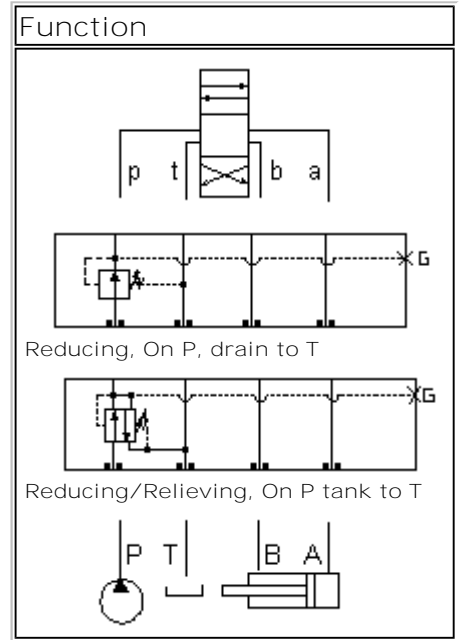
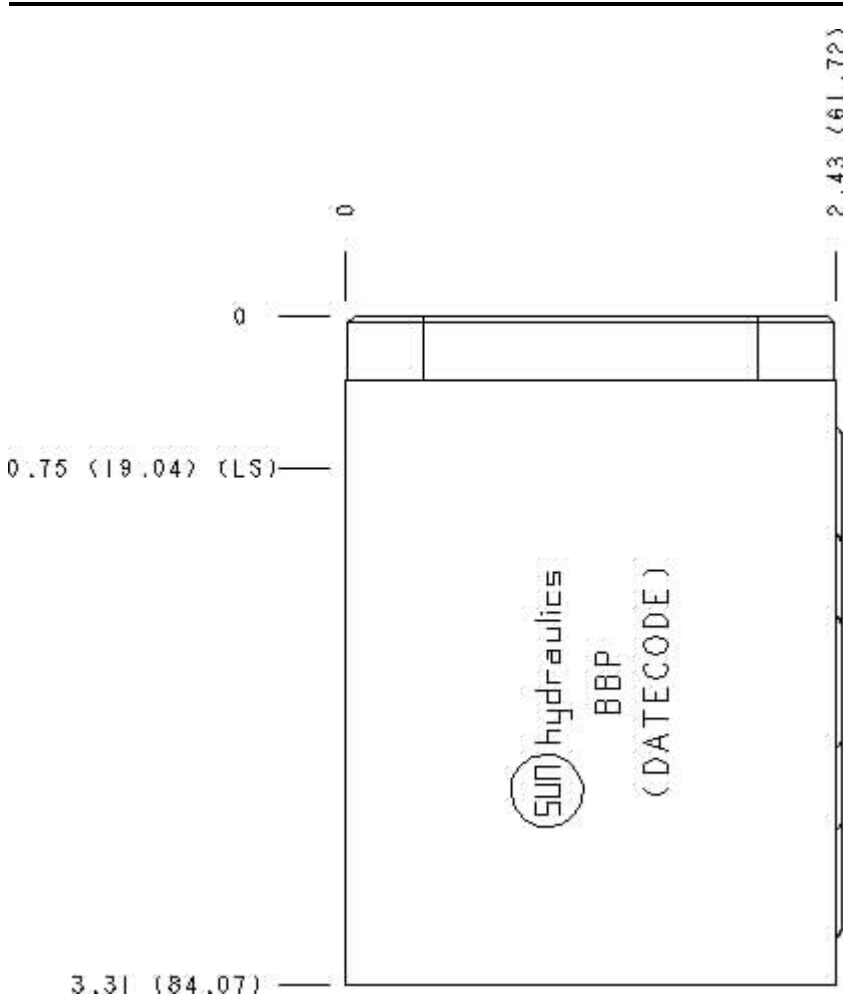
Functional Group:

Model:

Products : Manifolds : Sandwich : Reducing/Relieving : ISO 05 : On P, tank to T

BBP

Face : 6



Cartridge extension measurement is to the centerline of the cartridge.

Aluminum Body Pressure Rating: **3000 psi (210 bar)**
 Ductile Iron Body Pressure Rating: **5000 psi (350 bar)**

Port Headings and Sizes:

Gage Port (Plugged)
 1/4" BSPP

Gage Port (Plugged)
 1/4" NPTF

Technical Data

	U.S. Units	Metric Units

Model Weight	1.58 lb.	0.72 kg.
Cavity	T-2A	
Body Features	On P, port 3 to T	
Body Type	Sandwich	
Interface	ISO 05	
Open Cavity Quantity	1	

Option Selection:

Model Code	Description
BBP	Aluminum, Buna-N, U.S. Units
BBP	Aluminum, Buna-N, U.S. Units
BBP/M	Aluminum, Buna-N, Metric
BBP/M	Aluminum, Buna-N, Metric
BBP/S	Ductile Iron, Buna-N, U.S. Units
BBP/S	Ductile Iron, Buna-N, U.S. Units
BBP/T	Ductile Iron, Buna-N, Metric
BBP/T	Ductile Iron, Buna-N, Metric
BBP/V	Aluminum, Viton, U.S. Units
BBP/V	Aluminum, Viton, U.S. Units
BBP/W	Ductile Iron, Viton, Metric
BBP/W	Ductile Iron, Viton, Metric
BBP/Y	Ductile Iron, Viton, U.S. Units
BBP/Y	Ductile Iron, Viton, U.S. Units
BBP/Z	Aluminum, Viton, Metric
BBP/Z	Aluminum, Viton, Metric

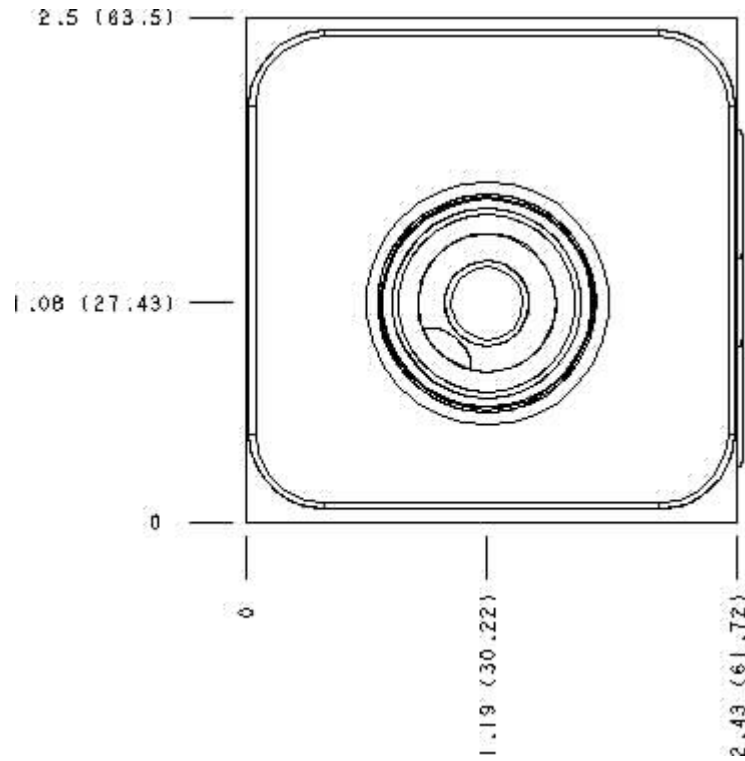
Special Notes :

No Special Notes available for selected Model.

Functional Group:
Products : Manifolds : Sandwich : Reducing/Relieving : ISO 05 : On P, tank to
T

Model:
BBP

Face : 2

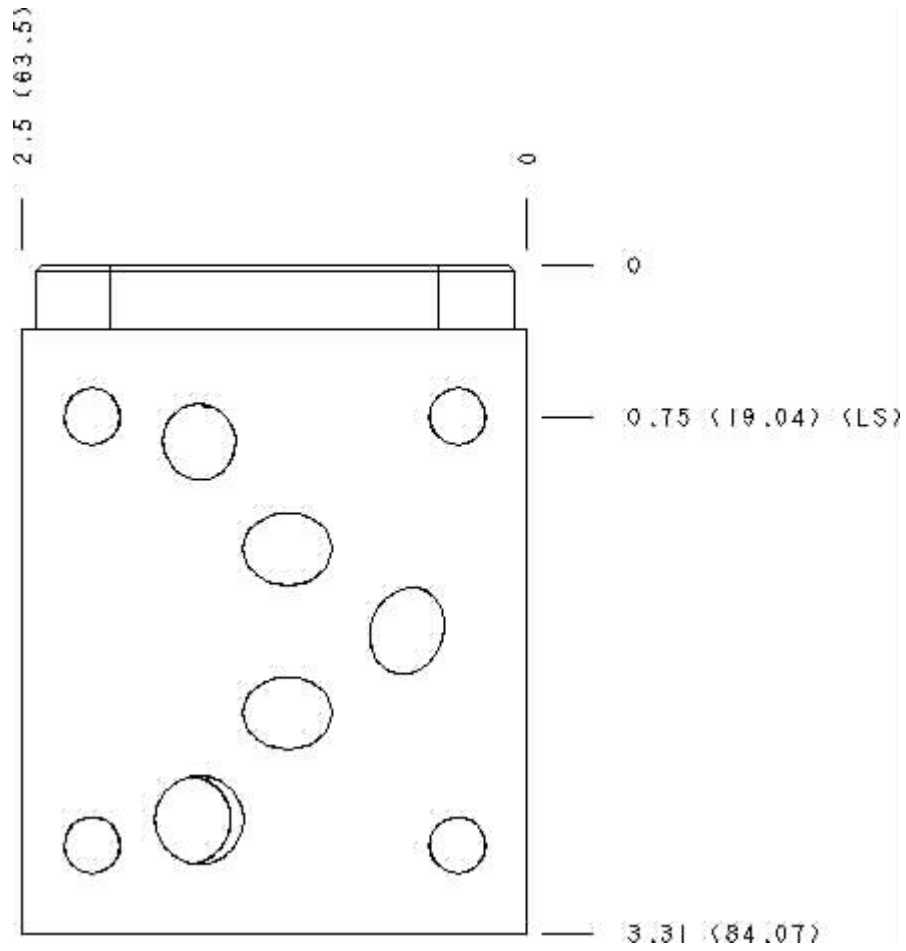


Cartridge extension measurement is to the centerline of the cartridge.

Functional Group:
Products : Manifolds : Sandwich : Reducing/Relieving : ISO 05 : On P, tank to
T

Model:
BBP

Face : 5



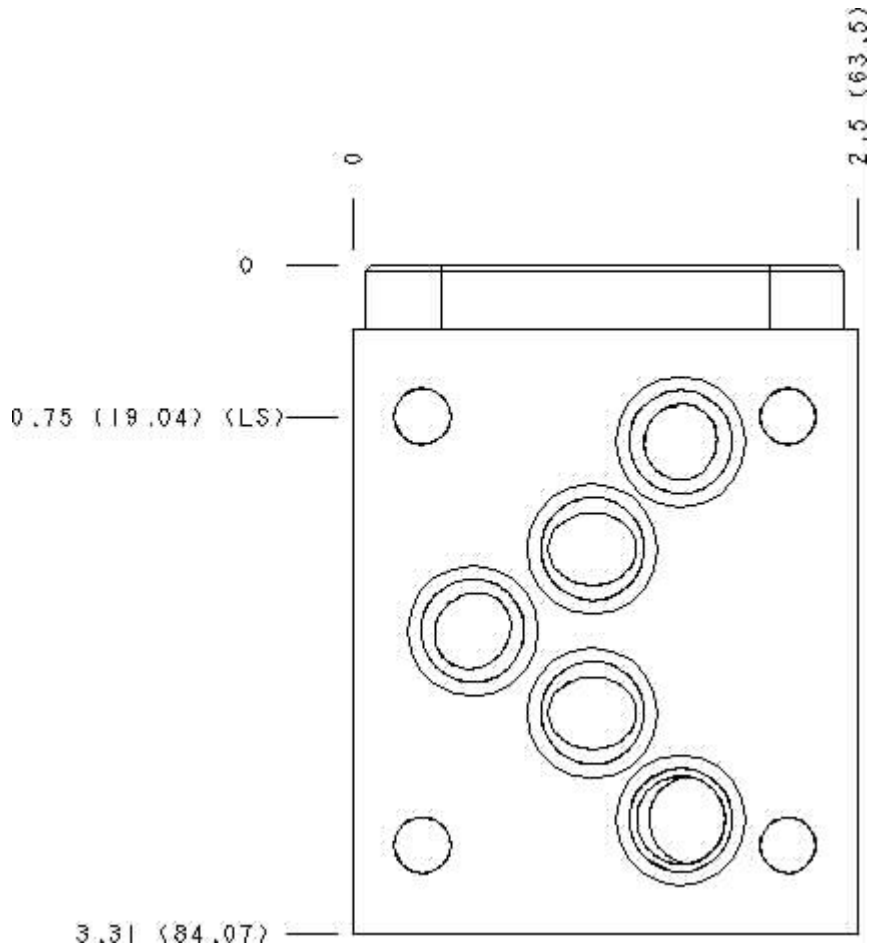
Cartridge extension measurement is to the centerline of the cartridge.



Functional Group:
 Products : Manifolds : Sandwich : Reducing/Relieving : ISO 05 : On P, tank to
 T

Model:
 BBP

Face : 7



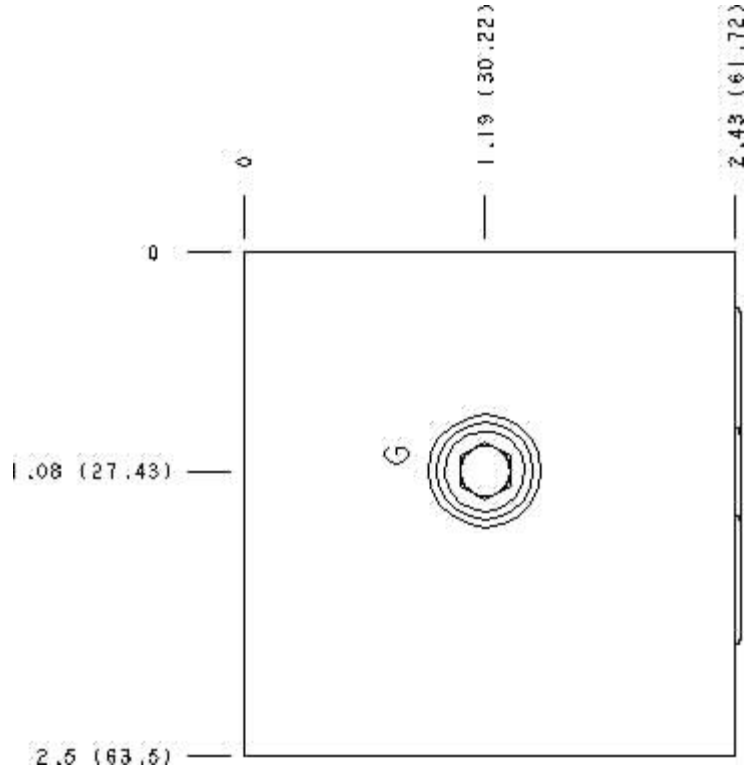
Cartridge extension measurement is to the centerline of the cartridge.



Functional Group:
 Products : Manifolds : Sandwich : Reducing/Relieving : ISO 05 : On P, tank to
 T

Model:
 BBP

Face : 10



Cartridge extension measurement is to the centerline of the cartridge.



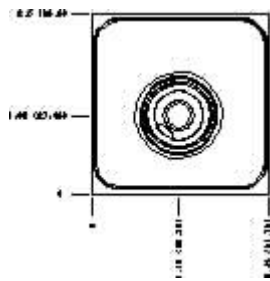
Functional Group:

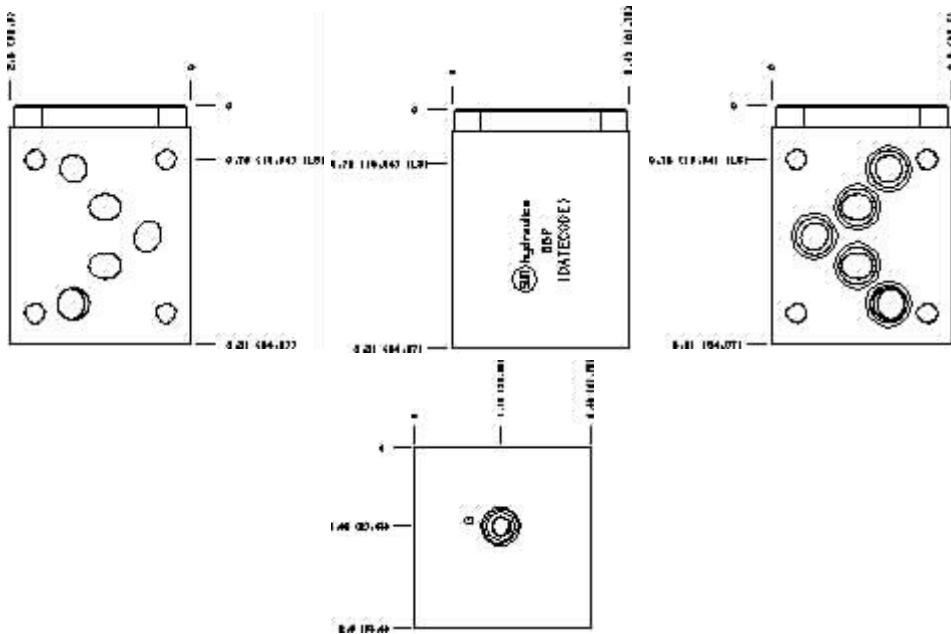
Products : Manifolds : Sandwich : Reducing/Relieving :
 ISO 05 : On P, tank to T

Model:
 BBP

Projection Type

All Dimensions in Inches(mm)





Copyright © 2003 Sun Hydraulics Corporation.
All rights reserved.

[Terms and Conditions](#) - [Statement of Privacy](#)