

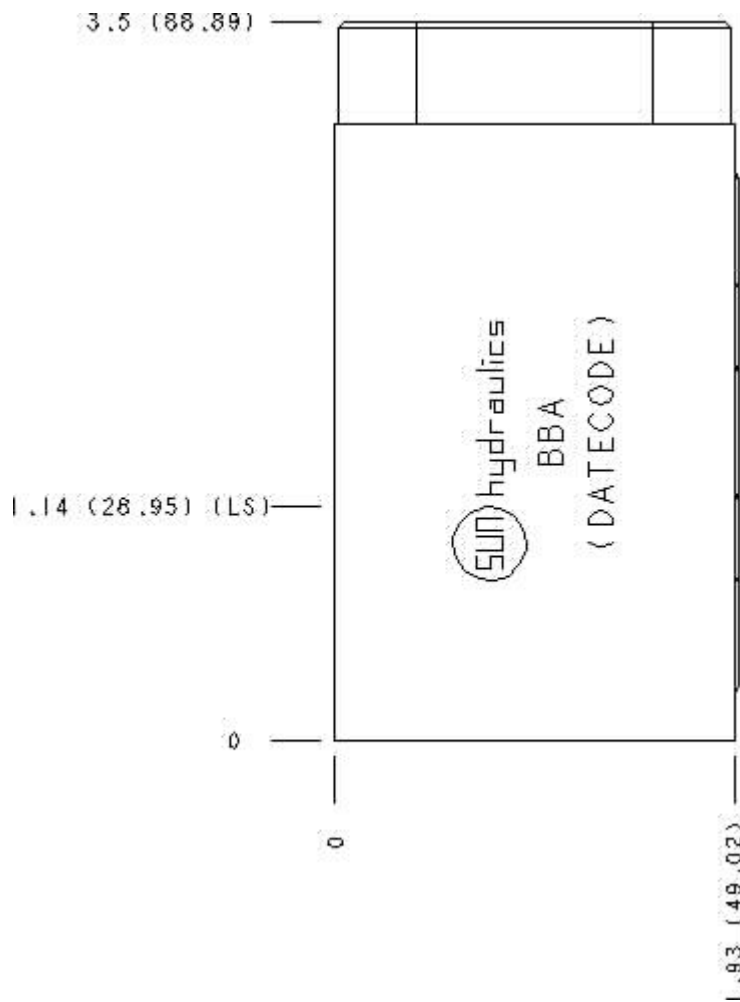
Functional Group:

Products : Manifolds : Sandwich : Pilot-to-Open Check : ISO 05 : On A, port 3 to B

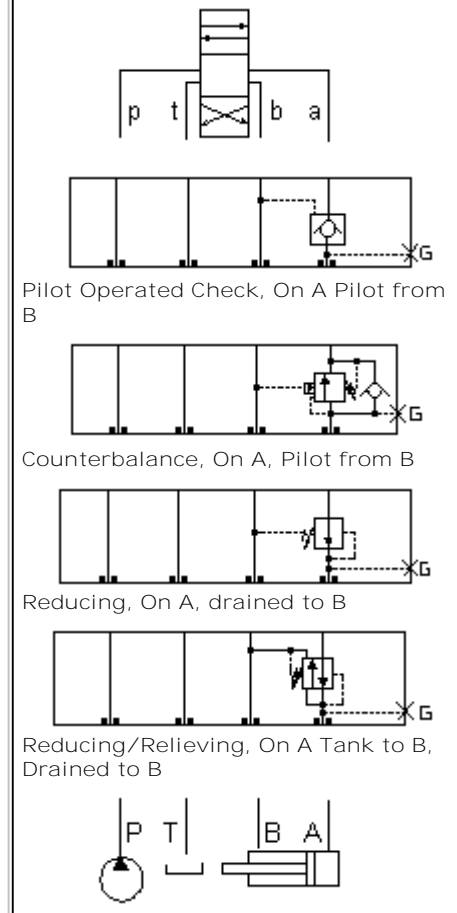
Model:

BBA

Face : 7



Function



Cartridge extension measurement is to the centerline of the cartridge.

Aluminum Body Pressure Rating: **3000 psi (210 bar)**  
 Ductile Iron Body Pressure Rating: **5000 psi (350 bar)**

Port Headings and Sizes:

Gage Port (Plugged)  
 1/4" BSPP

Gage Port (Plugged)  
 1/4" NPTF

Technical Data

	U.S. Units	Metric Units
--	------------	--------------

<b>Model Weight</b>	1.25 lb.	0.57 kg.
<b>Cavity</b>	T-2A	
<b>Body Features</b>	On A, port 3 to B	
<b>Body Type</b>	Sandwich	
<b>Interface</b>	ISO 05	
<b>Open Cavity Quantity</b>	1	
<b>Mounting Hole Diameter</b>	.28 in.	7,1 mm
<b>Mounting Hole Depth</b>	Through	
<b>Mounting Hole Quantity</b>	4	

---

Option Selection:

Model Code	Description
BBA	Aluminum, Buna-N, U.S. Units
BBA	Aluminum, Buna-N, U.S. Units
BBA/M	Aluminum, Buna-N, Metric
BBA/M	Aluminum, Buna-N, Metric
BBA/S	Ductile Iron, Buna-N, U.S. Units
BBA/S	Ductile Iron, Buna-N, U.S. Units
BBA/T	Ductile Iron, Buna-N, Metric
BBA/T	Ductile Iron, Buna-N, Metric
BBA/V	Aluminum, Viton, U.S. Units
BBA/V	Aluminum, Viton, U.S. Units
BBA/W	Ductile Iron, Viton, Metric
BBA/W	Ductile Iron, Viton, Metric
BBA/Y	Ductile Iron, Viton, U.S. Units
BBA/Y	Ductile Iron, Viton, U.S. Units
BBA/Z	Aluminum, Viton, Metric
BBA/Z	Aluminum, Viton, Metric

---

Special Notes :

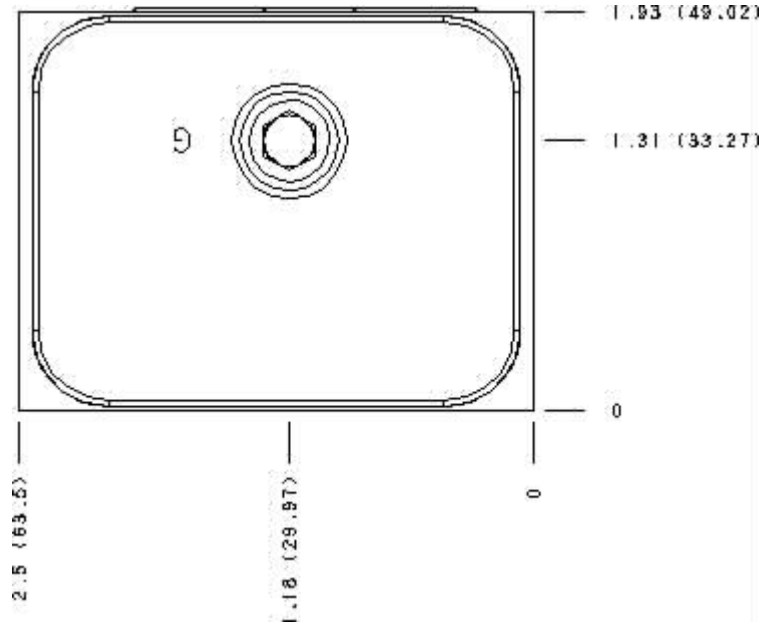
No Special Notes available for selected Model.



Functional Group:  
Products : Manifolds : Sandwich : Pilot-to-Open Check : ISO 05 : On A, port 3  
to B

Model:  
BBA

Face : 2



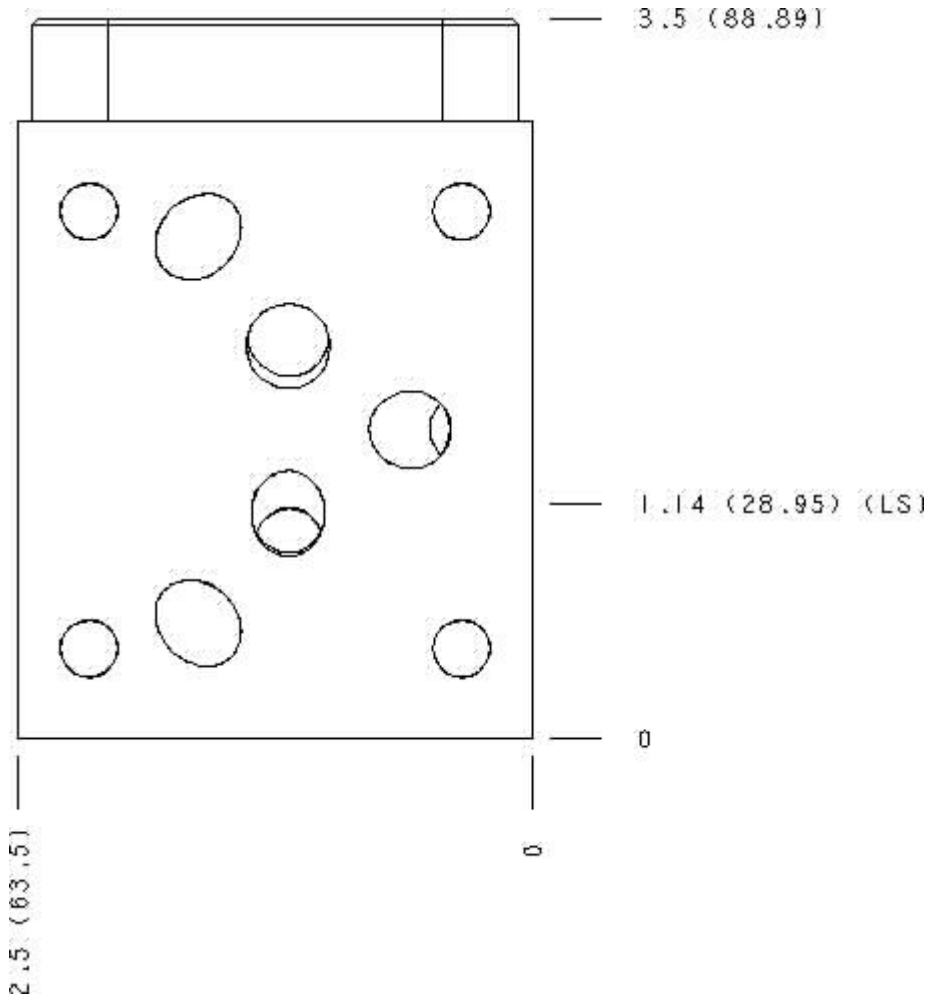
Cartridge extension measurement is to the centerline of the cartridge.



Functional Group:  
Products : Manifolds : Sandwich : Pilot-to-Open Check : ISO 05 : On A, port 3  
to B

Model:  
BBA

Face : 6



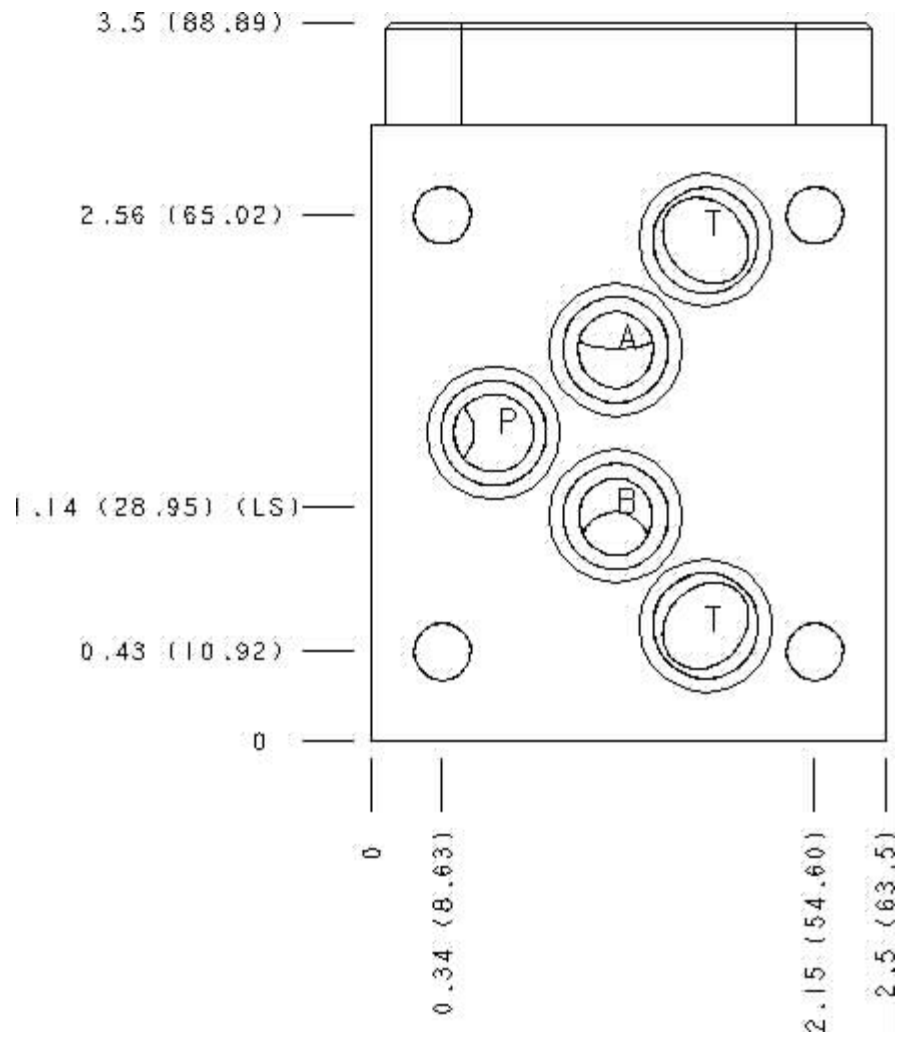
Cartridge extension measurement is to the centerline of the cartridge.



Functional Group:  
 Products : Manifolds : Sandwich : Pilot-to-Open Check : ISO 05 : On A, port 3  
 to B

Model:  
 BBA

Face : 8



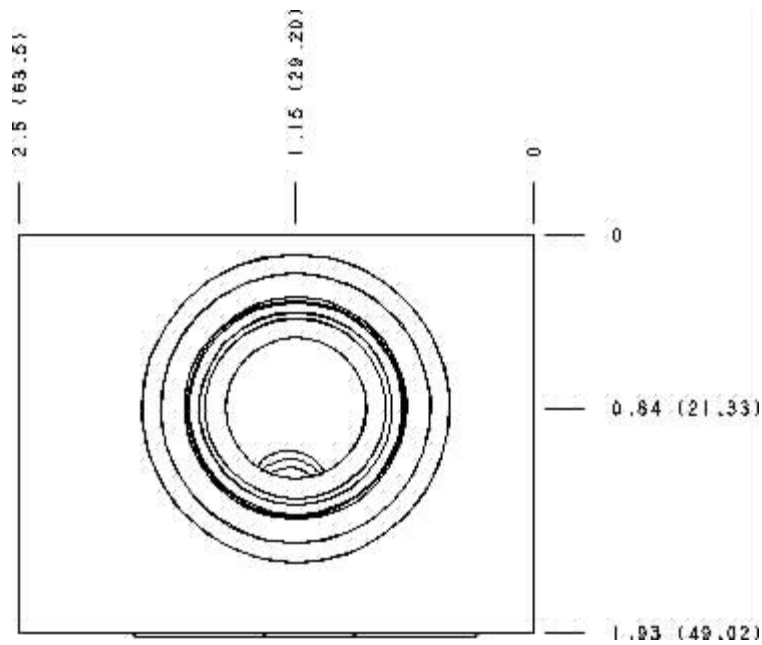
Cartridge extension measurement is to the centerline of the cartridge.



Functional Group:  
 Products : Manifolds : Sandwich : Pilot-to-Open Check : ISO 05 : On A, port 3  
 to B

Model:  
 BBA

Face : 10



Cartridge extension measurement is to the centerline of the cartridge.



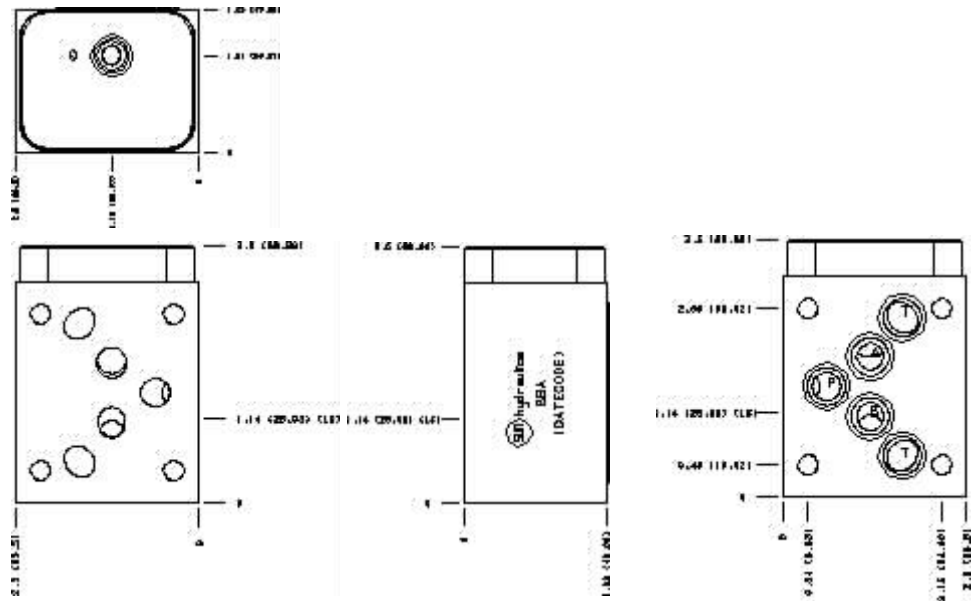
Functional Group:

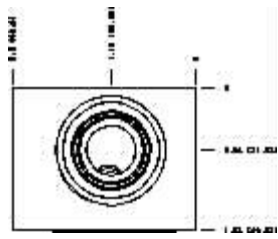
Products : Manifolds : Sandwich : Pilot-to-Open Check :  
 ISO 05 : On A, port 3 to B

Model:  
 BBA

Projection Type

All Dimensions in Inches(mm)





---

Copyright © 2003 Sun Hydraulics Corporation.  
All rights reserved.

[Terms and Conditions](#) - [Statement of Privacy](#)