

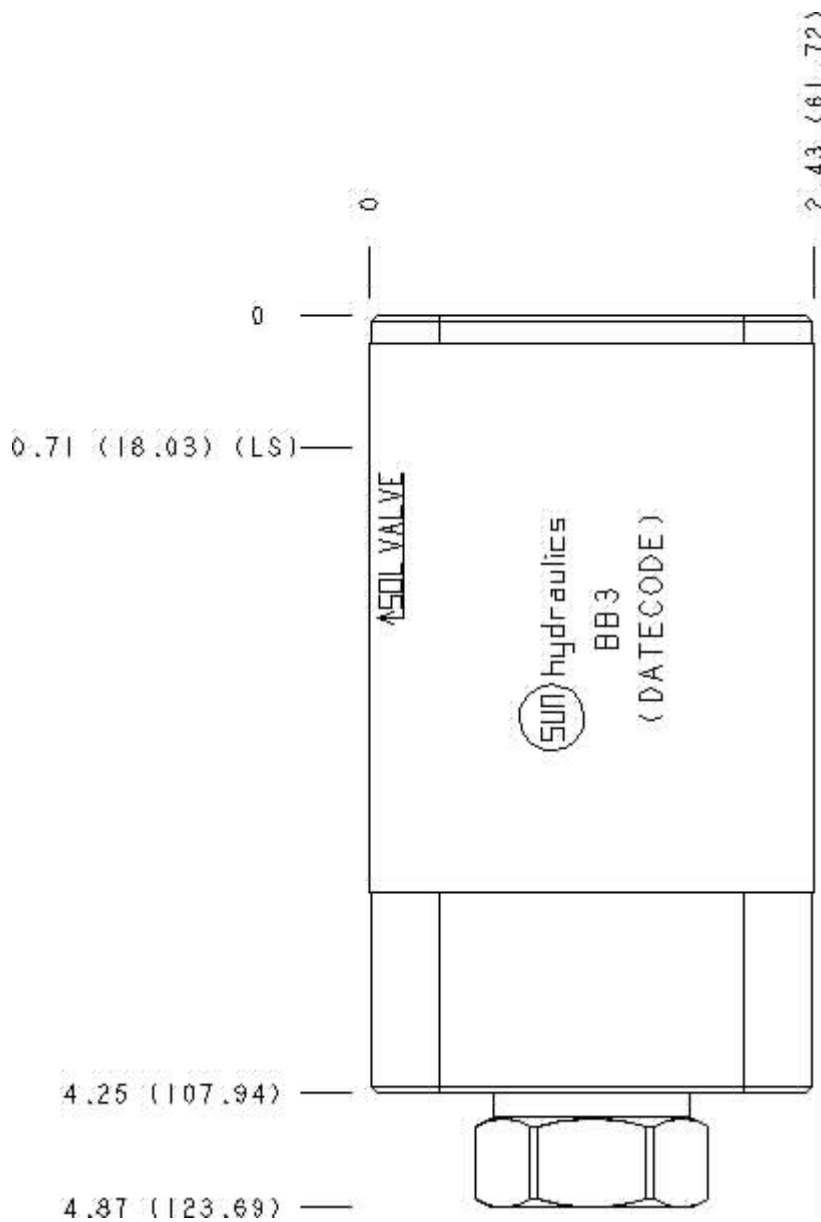
Functional Group:

Model:

Products : Manifolds : Sandwich : Reducing : ISO 05 : On B with reverse flow check

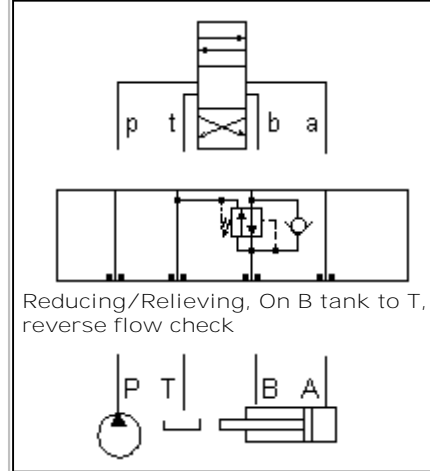
BB3

Face : 7



Cartridge extension measurement is to the centerline of the cartridge.

Function



Aluminum Body Pressure Rating: **3000 psi (210 bar)**
 Ductile Iron Body Pressure Rating: **5000 psi (350 bar)**

Technical Data

	U.S. Units	Metric Units
Model Weight	2.45 lb.	1.11 kg.
Cavity	T-2A	
Body Features	Reducer on B with reverse flow check	
Body Type	Sandwich	
Interface	ISO 05	
Open Cavity Quantity	1	

Option Selection:

Model Code	Description
BB3	Aluminum, Buna-N, U.S. Units
BB3	Aluminum, Buna-N, U.S. Units
BB3/S	Ductile Iron, Buna-N, U.S. Units
BB3/S	Ductile Iron, Buna-N, U.S. Units
BB3/V	Aluminum, Viton, U.S. Units
BB3/V	Aluminum, Viton, U.S. Units
BB3/Y	Ductile Iron, Viton, U.S. Units
BB3/Y	Ductile Iron, Viton, U.S. Units

Special Notes :

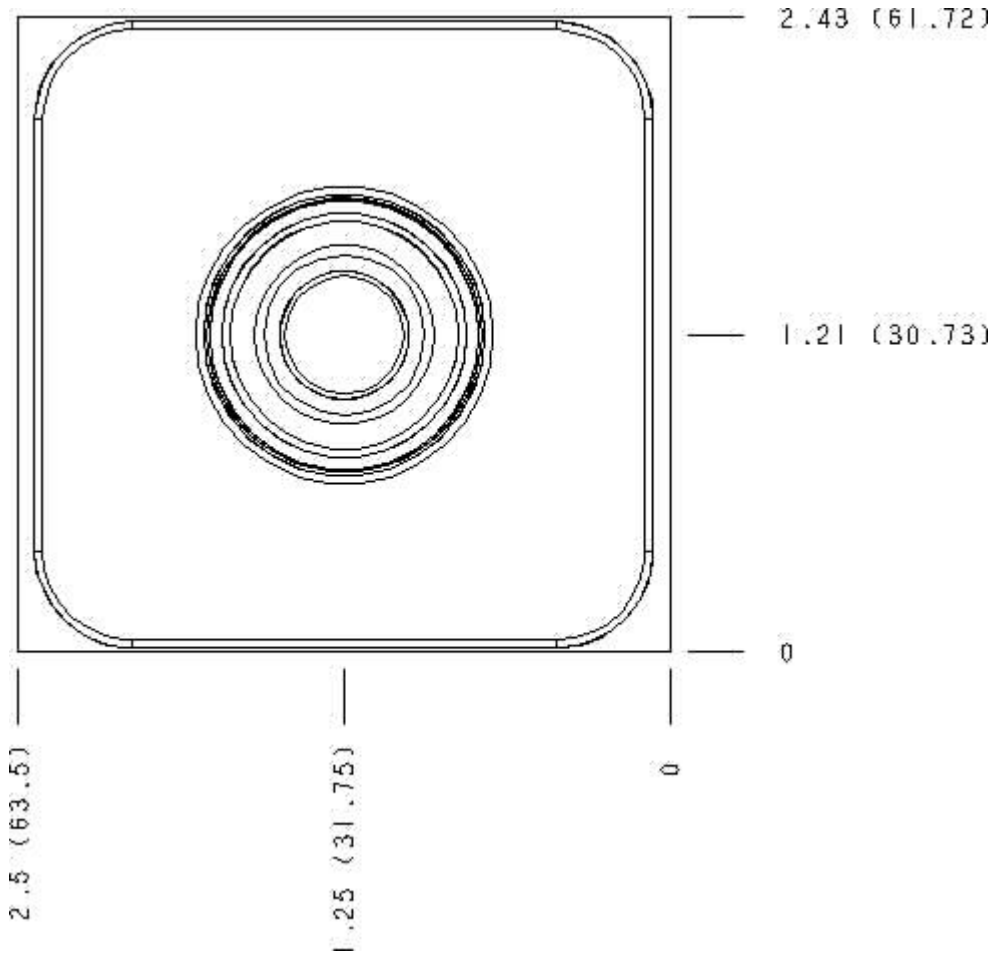
No Special Notes available for selected Model.



Functional Group:
Products : Manifolds : Sandwich : Reducing : ISO 05 : On B with reverse flow
check

Model:
BB3

Face : 2



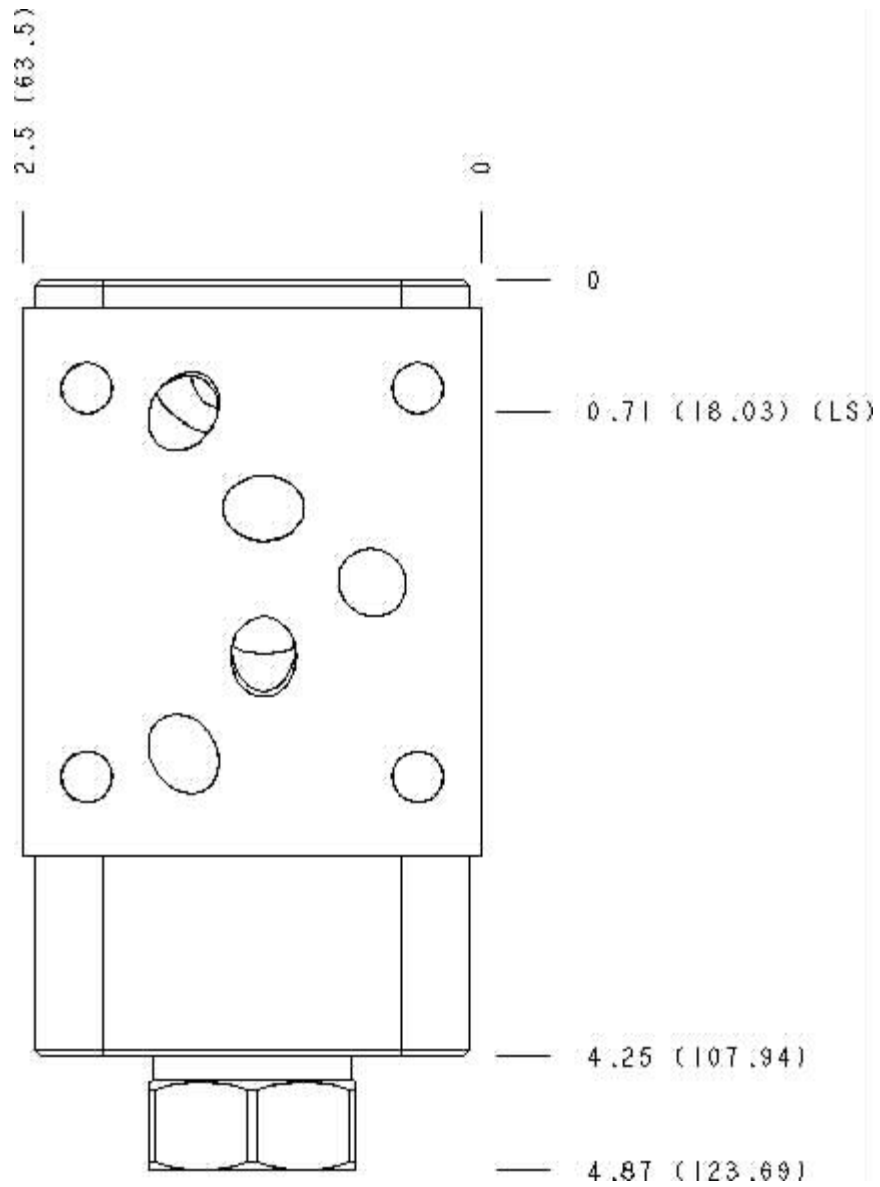
Cartridge extension measurement is to the centerline of the cartridge.



Functional Group:
 Products : Manifolds : Sandwich : Reducing : ISO 05 : On B with reverse flow
 check

Model:
 BB3

Face : 6



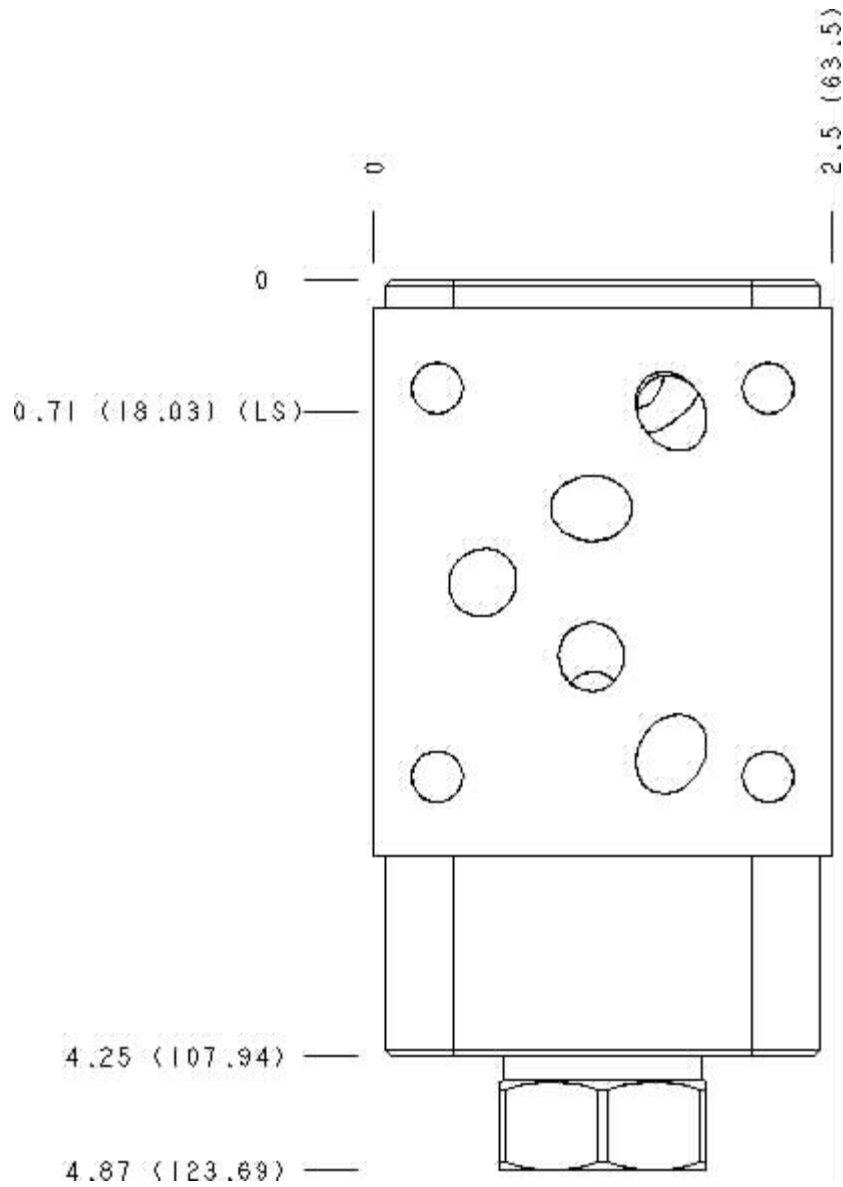
Cartridge extension measurement is to the centerline of the cartridge.



Functional Group:
 Products : Manifolds : Sandwich : Reducing : ISO 05 : On B with reverse flow
 check

Model:
 BB3

Face : 8



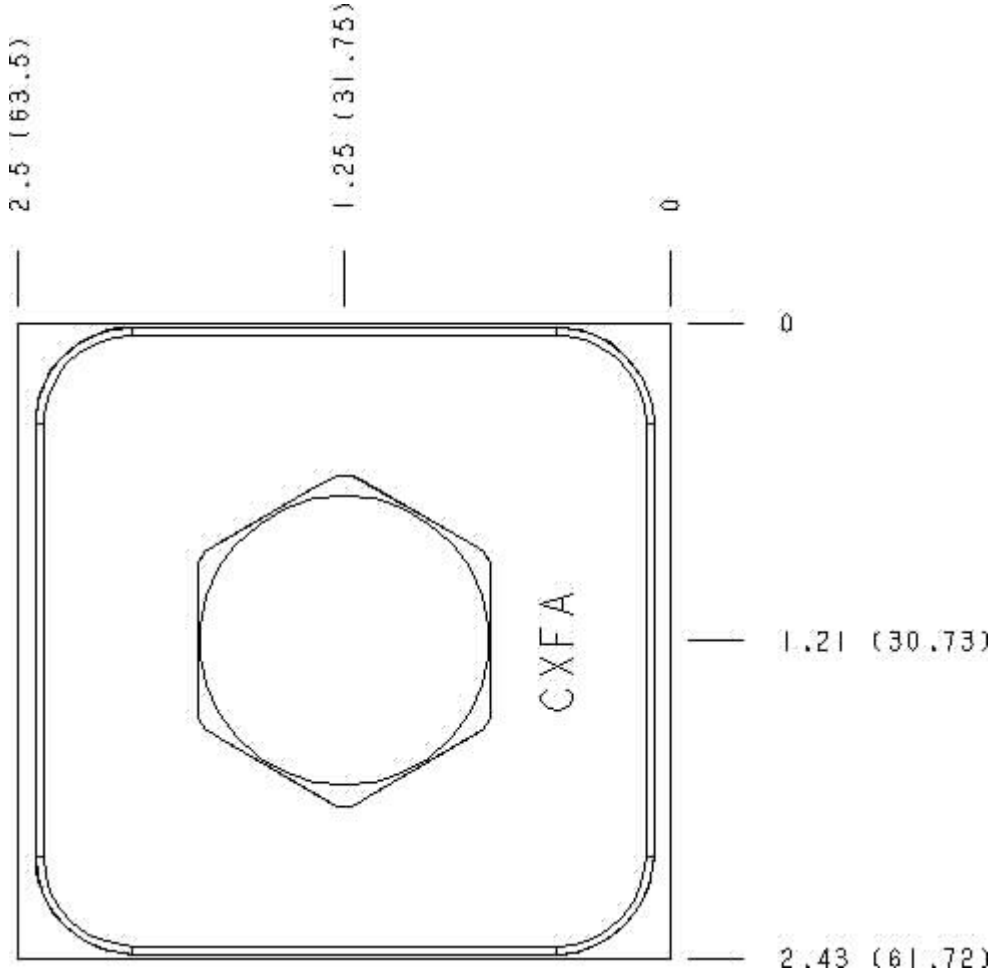
Cartridge extension measurement is to the centerline of the cartridge.



Functional Group:
 Products : Manifolds : Sandwich : Reducing : ISO 05 : On B with reverse flow
 check

Model:
 BB3

Face : 10



Cartridge extension measurement is to the centerline of the cartridge.



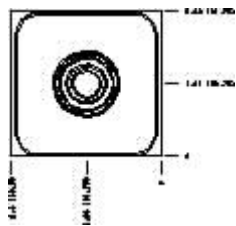
Functional Group:

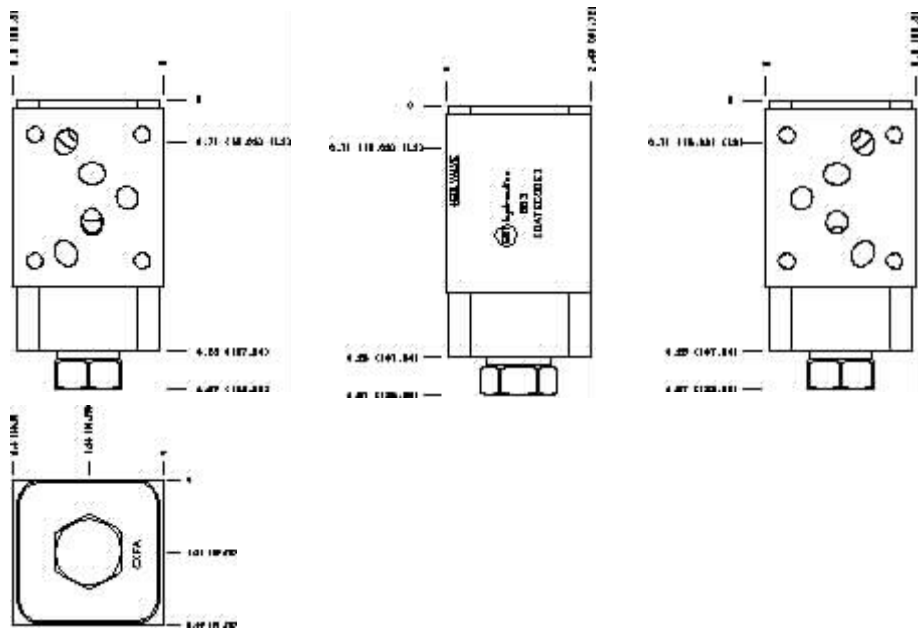
Products : Manifolds : Sandwich : Reducing : ISO 05 :
On B with reverse flow check

Model:
BB3

Projection Type 

All Dimensions in Inches(mm)





Copyright © 2003 Sun Hydraulics Corporation.
All rights reserved.

[Terms and Conditions](#) - [Statement of Privacy](#)