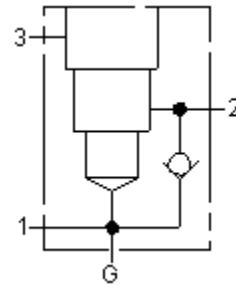

Functional Group:

Model:

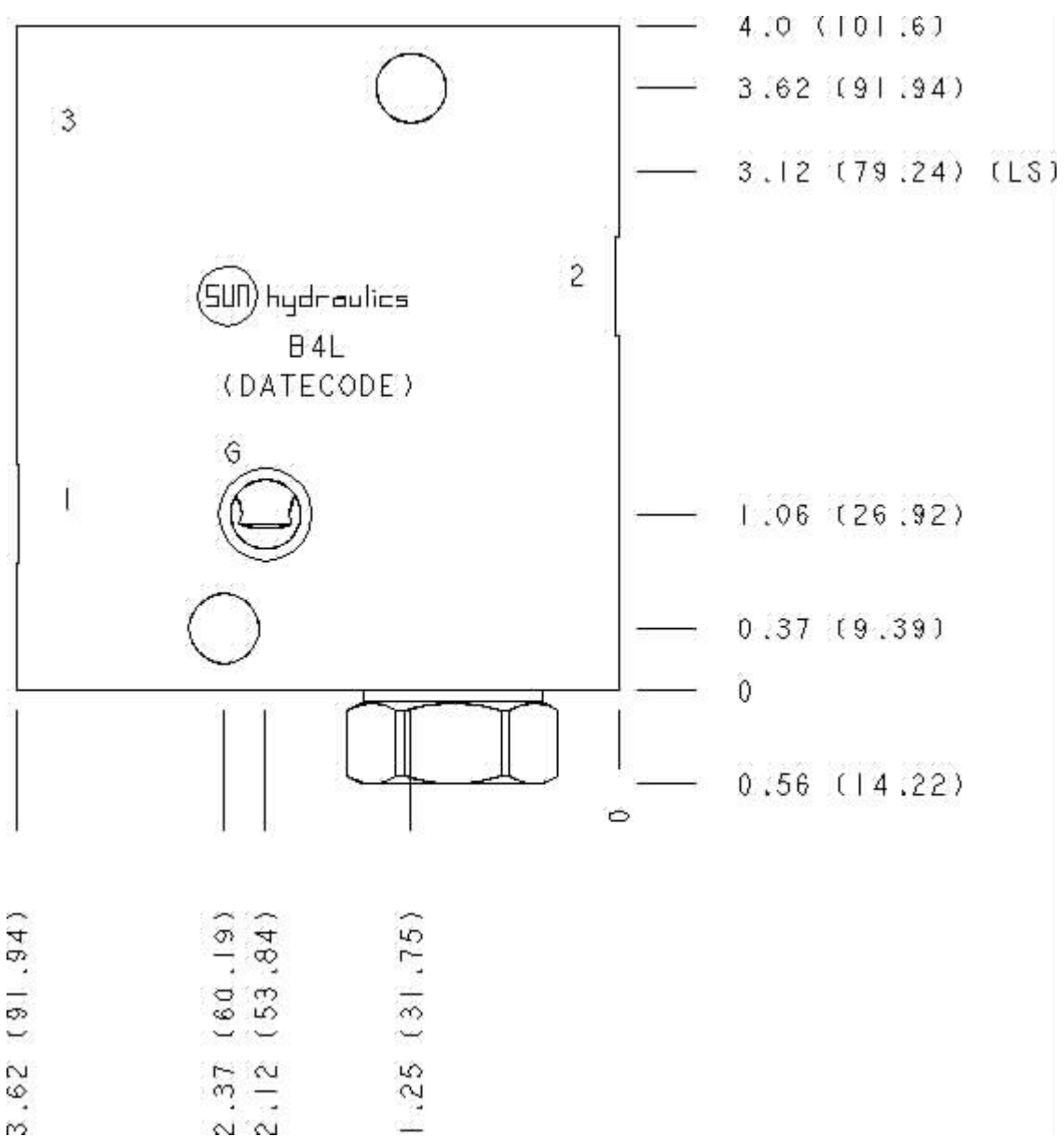
Products : Manifolds : Line mount : Reducing/Relieving : 3 Port : Ninety degree with reverse flow check - B4L
reducing/relieving

Aluminum Body Pressure Rating: 3000 psi (210 bar)

Ductile Iron Body Pressure Rating: 5000 psi (350 bar)



Face : 6



Cartridge extension measurement is to the centerline of the cartridge.

Port Headings and Sizes:

Ports 1 & 2
SAE 12

Port 3
SAE 10

Gage Port
1/4" NPTF

Technical Data

	U.S. Units	Metric Units
Model Weight	1.86 lb.	0.84 kg.
Cavity	T-2A	
Body Features	Ninety degree with reverse flow check - reducing	
Body Type	Line mount	
Interface	None	
Open Cavity Quantity	1	
Mounting Hole Diameter	.42 in.	10,7 mm
Mounting Hole Depth	Through	
Mounting Hole Quantity	2	

Option Selection:

Model Code	Description
B4L	Aluminum, Buna-N, U.S. Units
B4L	Aluminum, Buna-N, U.S. Units
B4L/S	Ductile Iron, Buna-N, U.S. Units
B4L/S	Ductile Iron, Buna-N, U.S. Units
B4L/V	Aluminum, Viton, U.S. Units
B4L/V	Aluminum, Viton, U.S. Units
B4L/Y	Ductile Iron, Viton, U.S. Units
B4L/Y	Ductile Iron, Viton, U.S. Units

Special Notes :

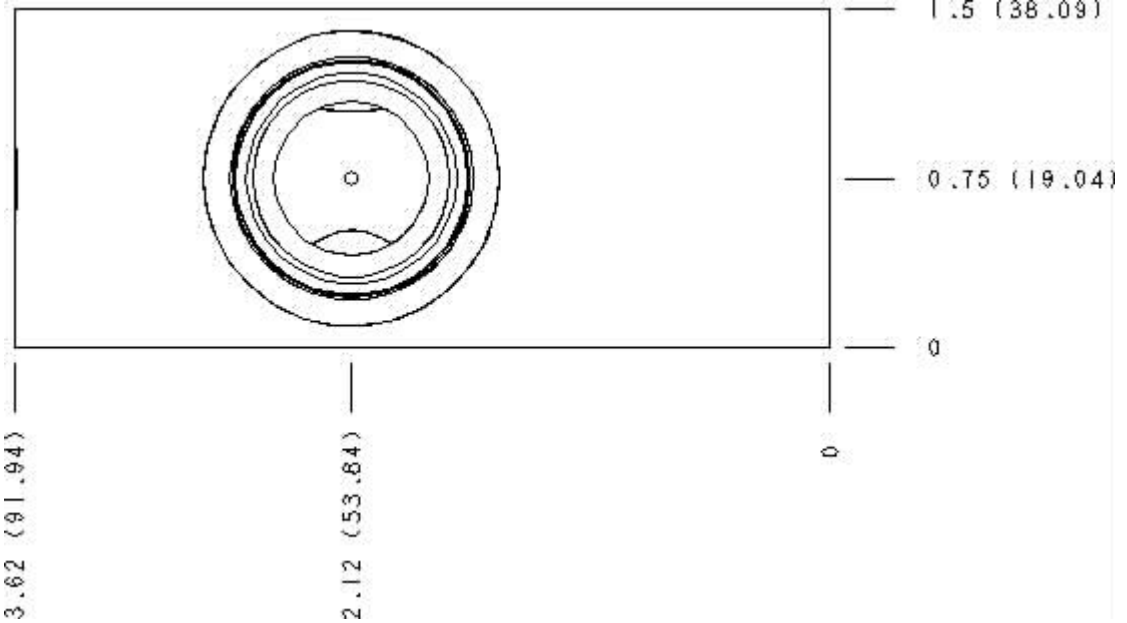
No Special Notes available for selected Model.



Functional Group:
Products : Manifolds : Line mount : Reducing/Relieving : 3 Port : Ninety
degree with reverse flow check - reducing/relieving

Model:
B4L

Face : 2



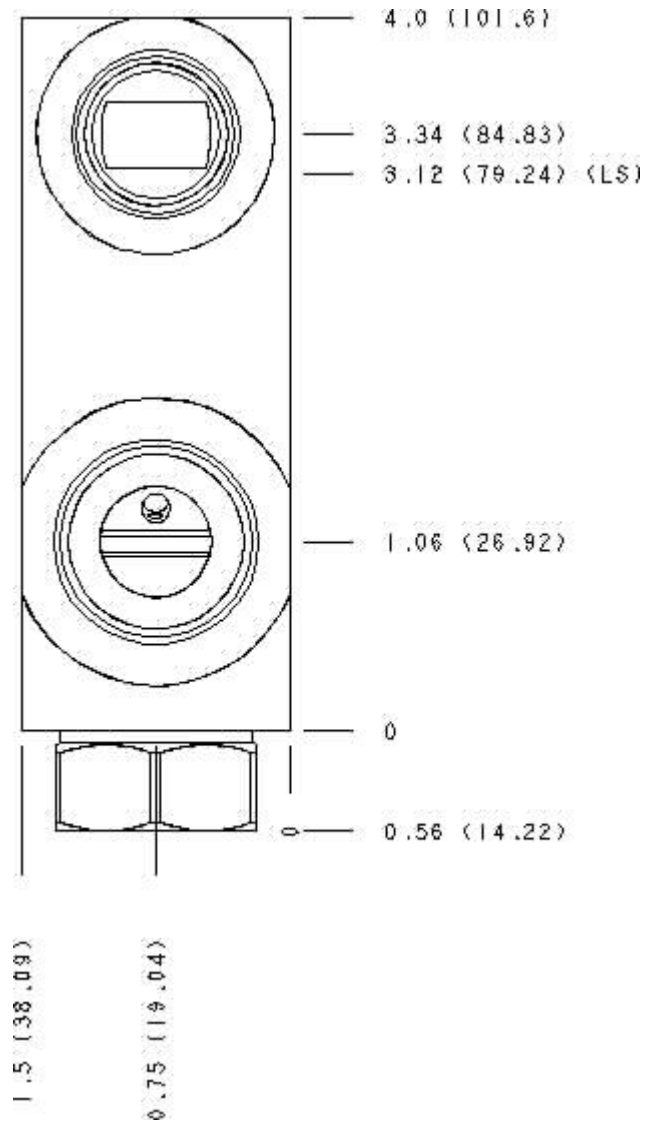
Cartridge extension measurement is to the centerline of the cartridge.



Functional Group:
 Products : Manifolds : Line mount : Reducing/Relieving : 3 Port : Ninety
 degree with reverse flow check - reducing/relieving

Model:
 B4L

Face : 5



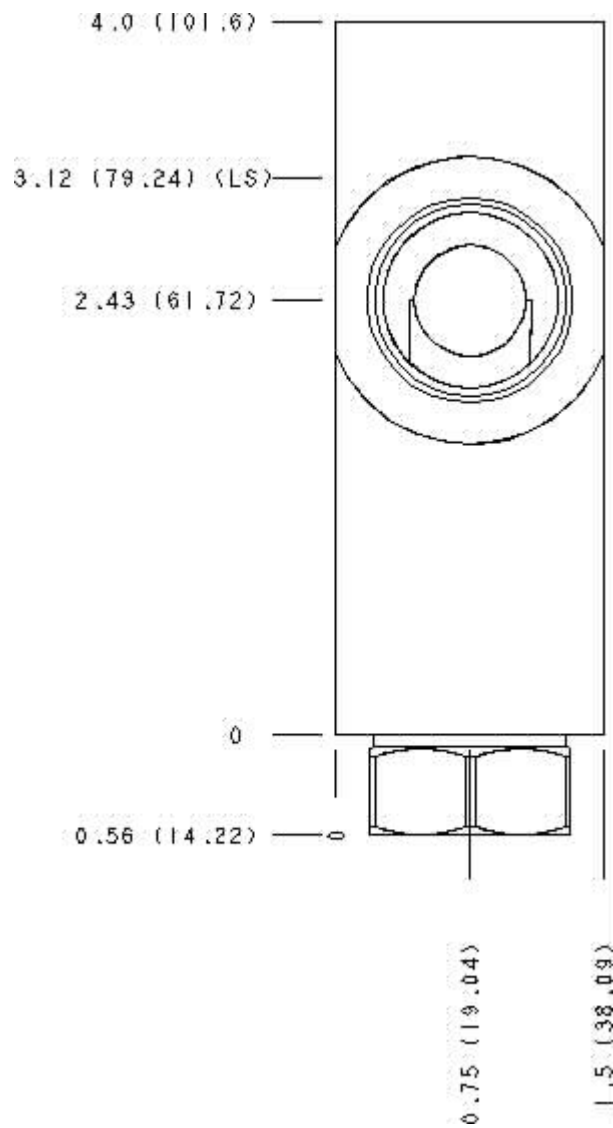
Cartridge extension measurement is to the centerline of the cartridge.



Functional Group:
 Products : Manifolds : Line mount : Reducing/Relieving : 3 Port : Ninety
 degree with reverse flow check - reducing/relieving

Model:
 B4L

Face : 7



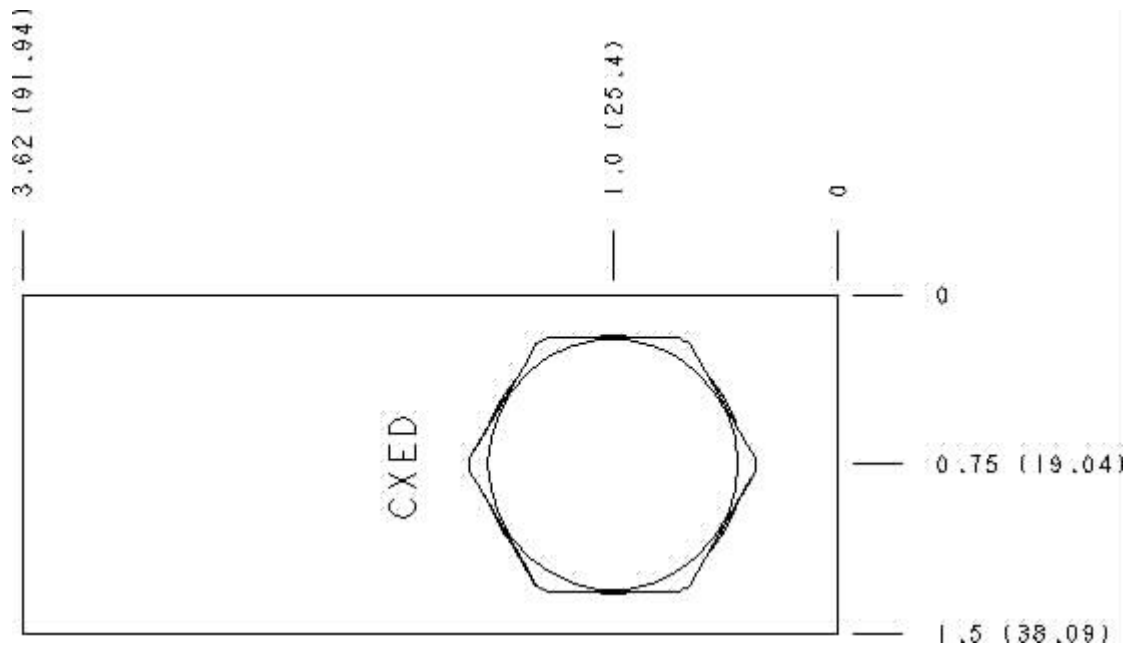
Cartridge extension measurement is to the centerline of the cartridge.



Functional Group:
 Products : Manifolds : Line mount : Reducing/Relieving : 3 Port : Ninety
 degree with reverse flow check - reducing/relieving

Model:
 B4L

Face : 10



Cartridge extension measurement is to the centerline of the cartridge.



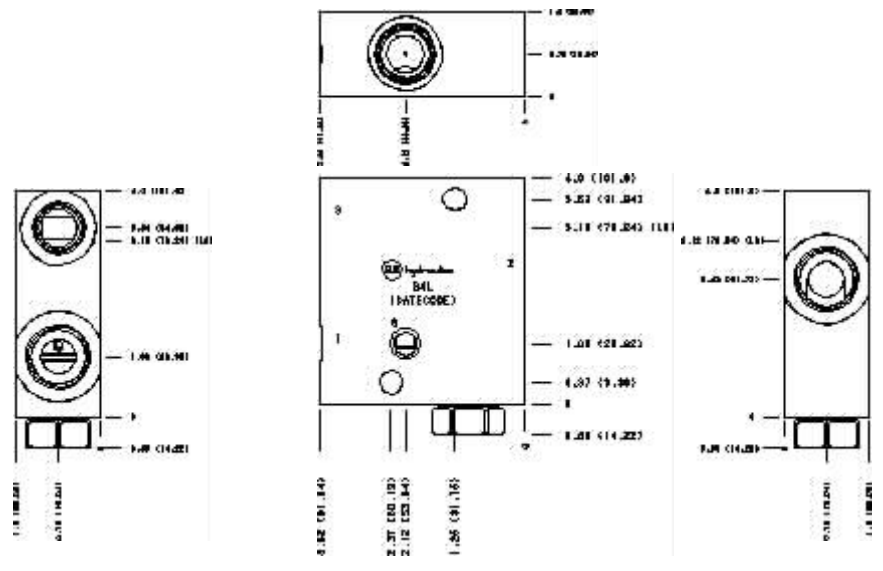
Functional Group:

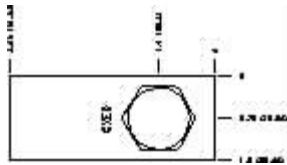
Products : Manifolds : Line mount :
 Reducing/Relieving : 3 Port : Ninety degree with
 reverse flow check - reducing/relieving

Model:
 B4L

Projection Type

All Dimensions in Inches(mm)





Copyright © 2003 Sun Hydraulics Corporation.
All rights reserved.

[Terms and Conditions](#) - [Statement of Privacy](#)