
Functional Group:

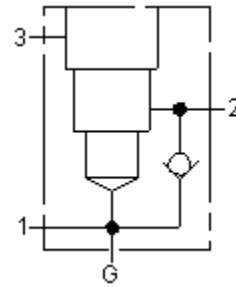
Products : Manifolds : Line mount : Reducing : 3 Port : Ninety degree with reverse flow check and gage port

Model:

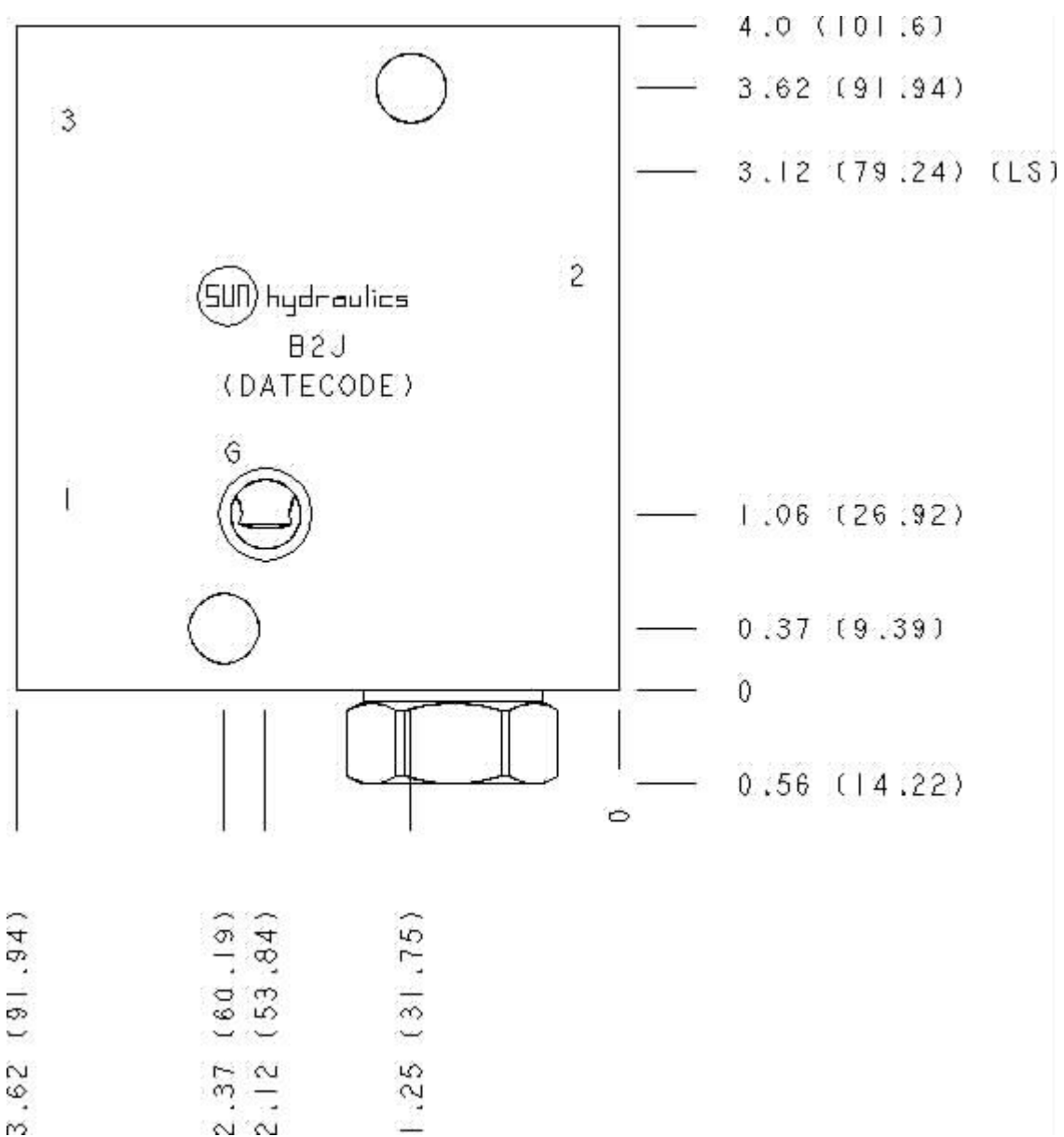
B2J

Aluminum Body Pressure Rating: **3000 psi (210 bar)**

Ductile Iron Body Pressure Rating: **5000 psi (350 bar)**



Face : 6



Cartridge extension measurement is to the centerline of the cartridge.

Port Headings and Sizes:

Ports 1 & 2
SAE 8

Port 3
SAE 6

Gage Port
1/4" NPTF

Technical Data

	U.S. Units	Metric Units
Model Weight	1.97 lb.	0.89 kg.
Cavity	T-2A	
Body Features	Ninety degree with reverse flow check - reducing	
Body Type	Line mount	
Interface	None	
Open Cavity Quantity	1	
Mounting Hole Diameter	.42 in.	10,7 mm
Mounting Hole Depth	Through	
Mounting Hole Quantity	2	

Option Selection:

Model Code	Description
B2J	Aluminum, Buna-N, U.S. Units
B2J	Aluminum, Buna-N, U.S. Units
B2J/S	Ductile Iron, Buna-N, U.S. Units
B2J/S	Ductile Iron, Buna-N, U.S. Units
B2J/V	Aluminum, Viton, U.S. Units
B2J/V	Aluminum, Viton, U.S. Units
B2J/Y	Ductile Iron, Viton, U.S. Units
B2J/Y	Ductile Iron, Viton, U.S. Units

Special Notes :

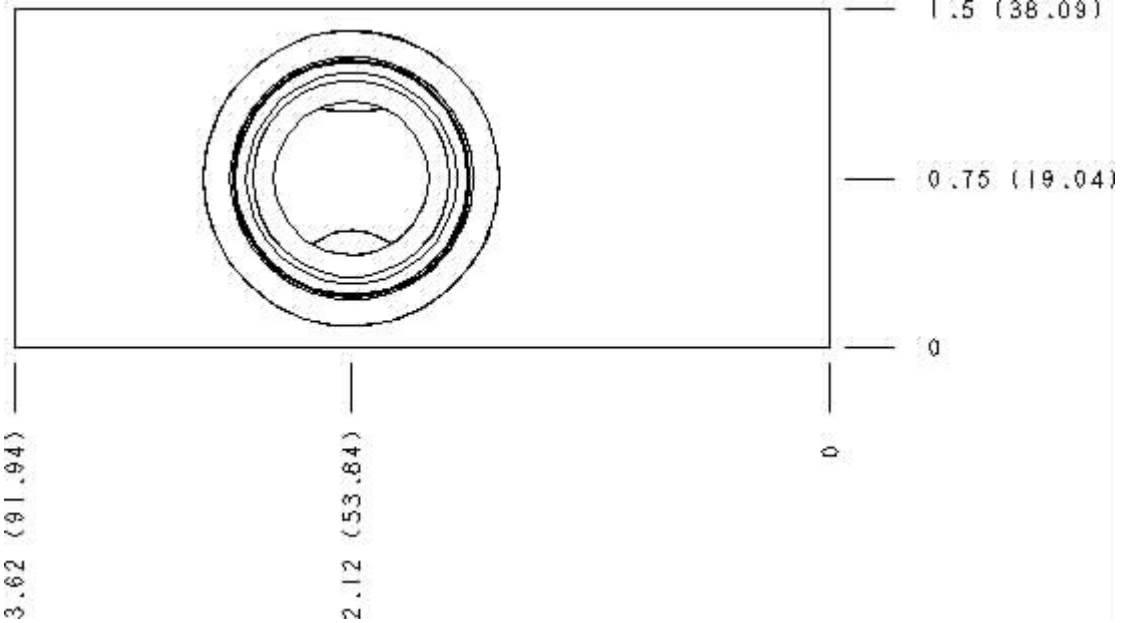
No Special Notes available for selected Model.



Functional Group:
Products : Manifolds : Line mount : Reducing : 3 Port : Ninety degree with
reverse flow check and gage port

Model:
B2J

Face : 2



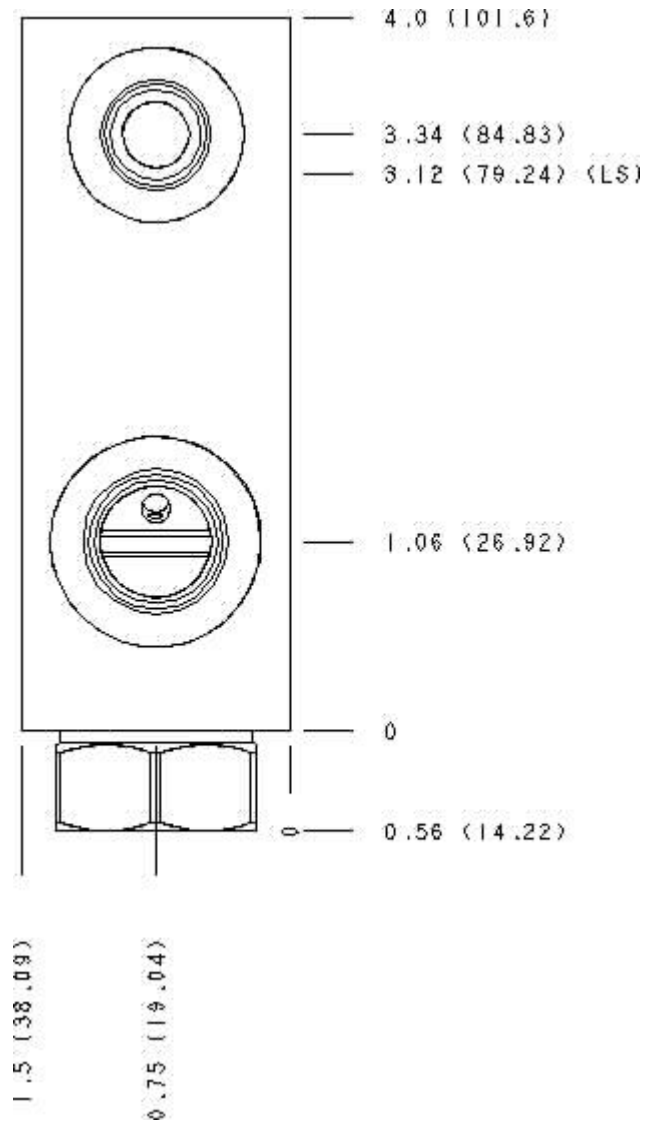
Cartridge extension measurement is to the centerline of the cartridge.



Functional Group:
 Products : Manifolds : Line mount : Reducing : 3 Port : Ninety degree with
 reverse flow check and gage port

Model:
 B2J

Face : 5



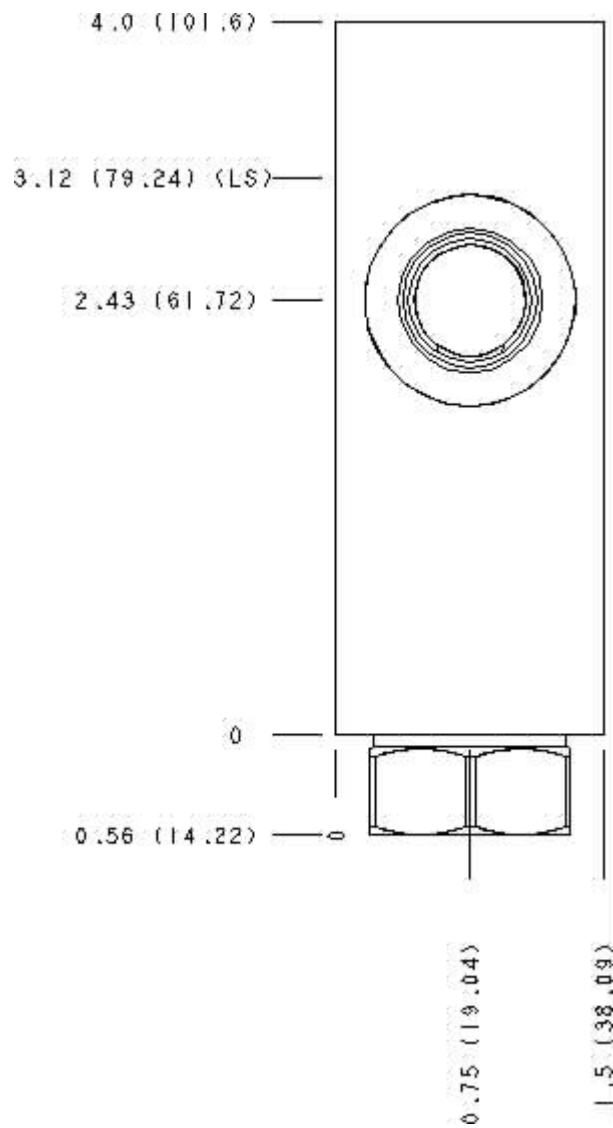
Cartridge extension measurement is to the centerline of the cartridge.



Functional Group:
 Products : Manifolds : Line mount : Reducing : 3 Port : Ninety degree with
 reverse flow check and gage port

Model:
 B2J

Face : 7



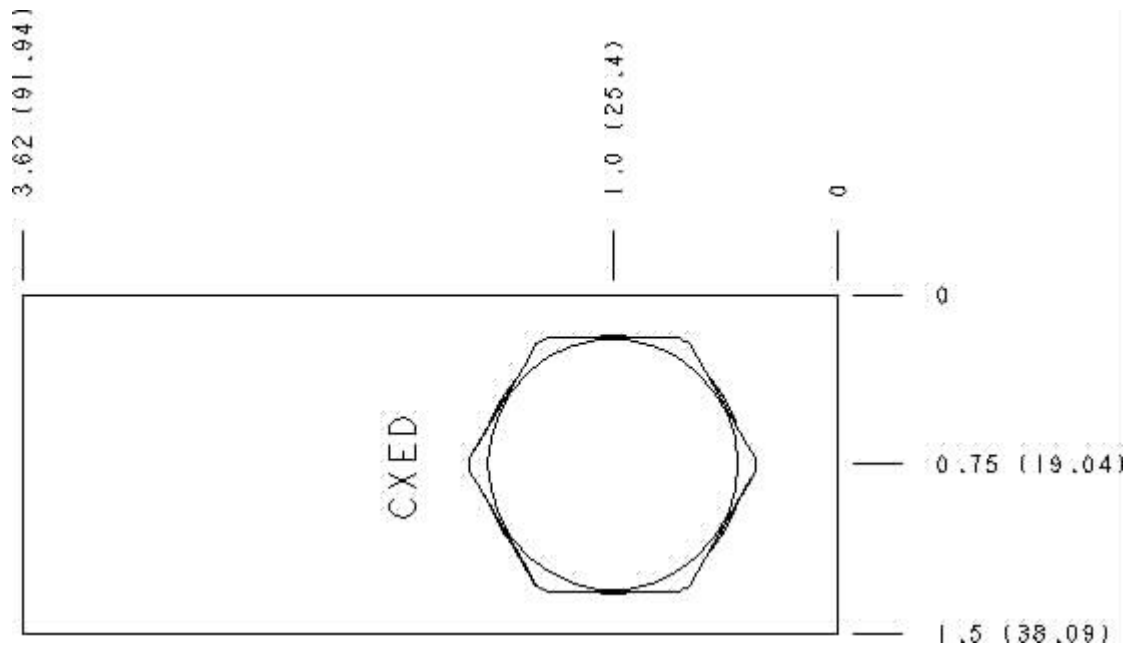
Cartridge extension measurement is to the centerline of the cartridge.



Functional Group:
 Products : Manifolds : Line mount : Reducing : 3 Port : Ninety degree with
 reverse flow check and gage port

Model:
 B2J

Face : 10



Cartridge extension measurement is to the centerline of the cartridge.



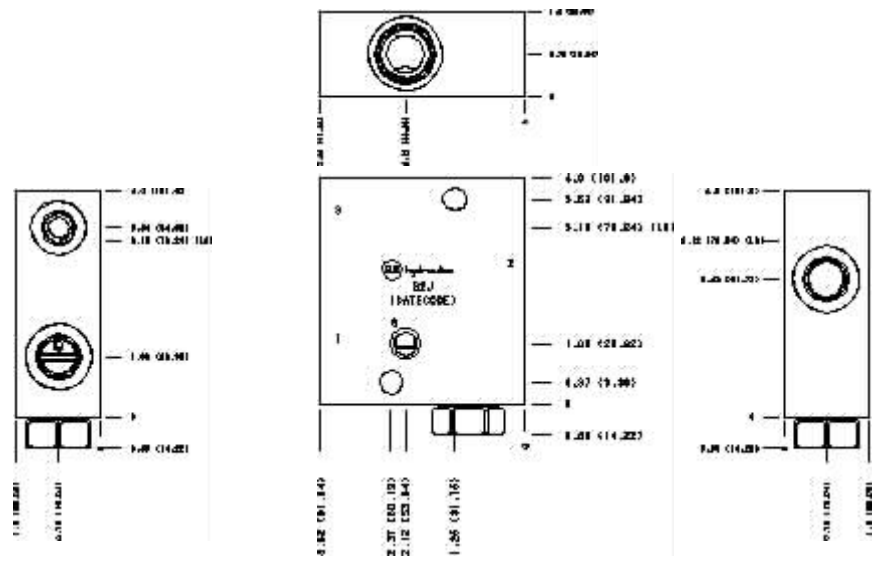
Functional Group:

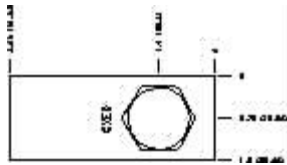
Products : Manifolds : Line mount : Reducing : 3 Port :
Ninety degree with reverse flow check and gage port

Model:
B2J

Projection Type

All Dimensions in Inches(mm)





Copyright © 2003 Sun Hydraulics Corporation.
All rights reserved.

[Terms and Conditions](#) - [Statement of Privacy](#)