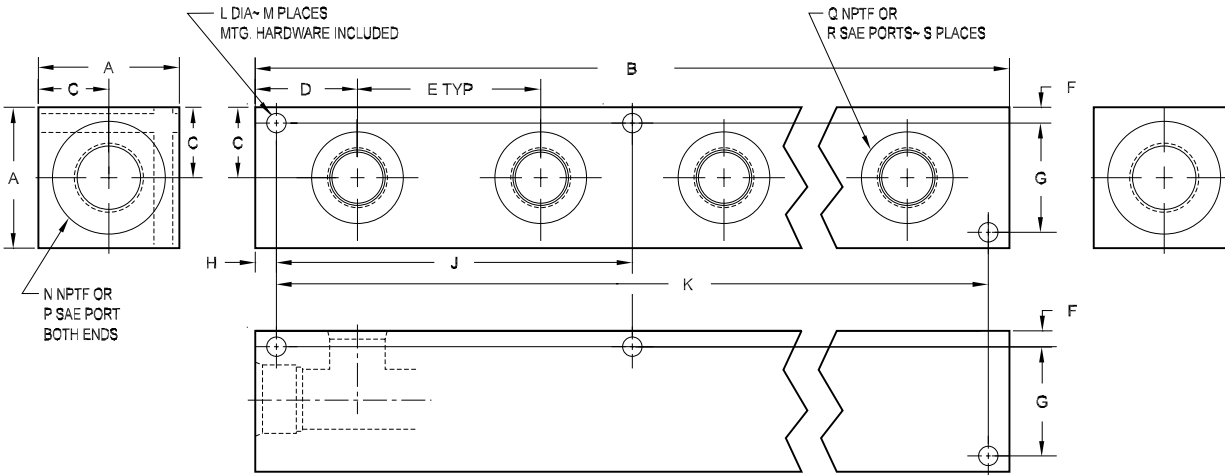


Header Manifolds - 0° Design

Header block mounting hardware is supplied.
See page 179 for itemized list.



Specifications, descriptions, and dimensional data are subject to correction or change without notice or incurring obligation. Download latest catalog page revisions at www.damanifolds.com.

Ordering Information

Material	Product Type	Side Port Layout	No. of Stations	Side Port Threads																																																			
<table border="1"> <thead> <tr> <th colspan="2">Material</th> </tr> </thead> <tbody> <tr> <td>A</td> <td>Aluminum - 6061-T6 3000[†] psi • 20.7 MPa</td> </tr> <tr> <td>D</td> <td>Ductile Iron - D4512 5000[†] psi • 34.5 MPa</td> </tr> <tr> <td colspan="2"> [†] Working pressure should be considered in accordance with ISO 4413 to determine appropriate material type. </td> </tr> </tbody> </table>	Material		A	Aluminum - 6061-T6 3000 [†] psi • 20.7 MPa	D	Ductile Iron - D4512 5000 [†] psi • 34.5 MPa	[†] Working pressure should be considered in accordance with ISO 4413 to determine appropriate material type.		<table border="1"> <thead> <tr> <th colspan="2">Product Type</th> </tr> </thead> <tbody> <tr> <td>H</td> <td>Header Block</td> </tr> </tbody> </table>	Product Type		H	Header Block	<table border="1"> <thead> <tr> <th colspan="2">Side Port Layout</th> </tr> </thead> <tbody> <tr> <td>000</td> <td>Ports out one side only</td> </tr> </tbody> </table>	Side Port Layout		000	Ports out one side only	<table border="1"> <thead> <tr> <th colspan="2">No. of Stations</th> </tr> </thead> <tbody> <tr> <td>02</td> <td rowspan="6">Check chart on next page to verify station-port size combinations and stock status</td> </tr> <tr> <td>03</td> </tr> <tr> <td>04</td> </tr> <tr> <td>06</td> </tr> <tr> <td>08</td> </tr> <tr> <td>10</td> </tr> </tbody> </table>	No. of Stations		02	Check chart on next page to verify station-port size combinations and stock status	03	04	06	08	10	<table border="1"> <thead> <tr> <th colspan="3">Side Port Threads</th> </tr> </thead> <tbody> <tr> <td>01P</td> <td rowspan="9">NPTF ANSI B1.20.3</td> <td>04S</td> </tr> <tr> <td>02P</td> <td>06S</td> </tr> <tr> <td>04P</td> <td>08S</td> </tr> <tr> <td>06P</td> <td>12S</td> </tr> <tr> <td>08P</td> <td>16S</td> </tr> <tr> <td>12P</td> <td>20S</td> </tr> <tr> <td>16P</td> <td>24S</td> </tr> <tr> <td>20P</td> <td rowspan="2">Check chart on next page to verify station-port size combinations</td> <td></td> </tr> <tr> <td>24P</td> <td></td> </tr> <tr> <td colspan="2"></td> <td>SAE ISO 11926 SAE 1926</td> </tr> </tbody> </table>	Side Port Threads			01P	NPTF ANSI B1.20.3	04S	02P	06S	04P	08S	06P	12S	08P	16S	12P	20S	16P	24S	20P	Check chart on next page to verify station-port size combinations		24P				SAE ISO 11926 SAE 1926
Material																																																							
A	Aluminum - 6061-T6 3000 [†] psi • 20.7 MPa																																																						
D	Ductile Iron - D4512 5000 [†] psi • 34.5 MPa																																																						
[†] Working pressure should be considered in accordance with ISO 4413 to determine appropriate material type.																																																							
Product Type																																																							
H	Header Block																																																						
Side Port Layout																																																							
000	Ports out one side only																																																						
No. of Stations																																																							
02	Check chart on next page to verify station-port size combinations and stock status																																																						
03																																																							
04																																																							
06																																																							
08																																																							
10																																																							
Side Port Threads																																																							
01P	NPTF ANSI B1.20.3	04S																																																					
02P		06S																																																					
04P		08S																																																					
06P		12S																																																					
08P		16S																																																					
12P		20S																																																					
16P		24S																																																					
20P		Check chart on next page to verify station-port size combinations																																																					
24P																																																							
		SAE ISO 11926 SAE 1926																																																					

Header Manifolds - 0° Design

PART NO.	A	B	C	D	E	F	G	H	J	K	L	M	N	P	Q	R	S
*H0000401P	1.25	5.75 [146.1]	0.63	1.00	1.25	0.17	0.91	0.31	--	5.13 [130.2]	0.22	4					4
*H0000601P	[31.8]	8.25 [209.6]	[16.0]	[25.4]	[31.8]	[4.4]	[23.0]	[7.9]	3.81 [96.8]	7.63 [193.7]	[5.6]	6	1/8	--	1/16	--	6
*H0000801P		10.75 [273.1]							5.06 [128.6]	10.13 [257.2]		6					8
*H0001001P		13.25 [336.6]							6.31 [160.3]	12.63 [320.7]		6					10
*H0000302P	1.50	5.00 [127.0]	0.75	1.13	1.38	0.25	1.00	0.31	--	4.38 [111.3]	0.28	4	1/4	--	1/8	--	3
*H0000402P	[38.1]	6.38 [161.9]	[19.1]	[28.6]	[35.1]	[6.4]	[25.4]	[7.9]	--	5.75 [146.1]	[7.1]	4					4
*H0000602P		9.13 [231.8]							4.25 [108.0]	8.50 [215.9]		6					6
*H0000802P		11.88 [301.6]							5.63 [142.9]	11.25 [285.8]		6					8
*H0001002P		14.63 [371.5]							7.00 [177.8]	14.00 [355.6]		6					10
H0000304	1.75	5.63 [142.9]	0.88	1.06	1.75	0.25	1.25	0.31	--	5.00 [127.0]	0.28	4	3/8	-6	1/4	-4	3
H0000404	[44.5]	7.38 [187.3]	[22.2]	[27.0]	[44.5]	[6.4]	[31.8]	[7.9]	--	6.75 [171.5]	[7.1]	4					4
H0000604		10.88 [276.2]							5.13 [130.2]	10.25 [260.4]		6					6
H0000804		14.38 [365.1]							6.88 [174.6]	13.75 [349.3]		6					8
H0001004		17.88 [454.0]							8.63 [219.1]	17.25 [438.2]		6					10
*H0000206P	2.00	5.00 [127.0]	1.00	1.50	2.00	0.25	1.50	0.31	--	4.38 [111.1]	0.28	4	1/2	-8	3/8	-6	2
*H0000306P	[50.8]	7.00 [177.8]	[25.4]	[38.1]	[50.8]	[6.4]	[38.1]	[7.9]	--	6.38 [161.9]	[7.1]	4					3
*H0000406P		9.00 [228.6]							--	8.38 [212.7]		4					4
*H0000606P		13.00 [330.2]							6.19 [157.2]	12.38 [314.3]		6					6
*H0000806P		17.00 [431.8]							8.19 [208.0]	16.38 [415.9]		6					8
*H0001006P		21.00 [533.4]							10.19 [258.8]	20.38 [517.5]		6					10
*H0000206S	1.75	5.00 [127.0]	0.88	1.50	2.00	0.25	1.25	0.31	--	4.38 [111.1]	0.28	4	1/2	-8	3/8	-6	2
*H0000306S	[44.5]	7.00 [177.8]	[22.2]	[38.1]	[50.8]	[6.4]	[31.8]	[7.9]	--	6.38 [161.9]	[7.1]	4					3
*H0000406S		9.00 [228.6]							--	8.38 [212.7]		4					4
*H0000606S		13.00 [330.2]							6.19 [157.2]	12.38 [314.3]		6					6
*H0000806S		17.00 [431.8]							8.19 [208.0]	16.38 [415.9]		6					8
*H0001006S		21.00 [533.4]							10.19 [258.8]	20.38 [517.5]		6					10
*H0000208P	2.00	5.38 [136.5]	1.00	1.50	2.38	0.25	1.50	0.31	--	4.75 [120.7]	0.28	4	3/4	-12	1/2	-8	2
*H0000308P	[50.8]	7.75 [196.9]	[25.4]	[38.1]	[60.3]	[6.4]	[38.1]	[7.9]	--	7.13 [181.0]	[7.1]	4					3
*H0000408P		10.13 [257.2]							--	9.50 [241.3]		4					4
*H0000608P		14.88 [377.8]							7.13 [181.0]	14.25 [362.0]		6					6
*H0000808P		19.63 [498.5]							9.50 [241.3]	19.00 [482.6]		6					8
*H0001008P		24.38 [619.1]							11.88 [301.6]	23.75 [603.3]		6					10
*H0000208S	2.25	5.38 [136.5]	1.13	1.50	2.38	0.25	1.75	0.31	--	4.75 [120.7]	0.28	4	3/4	-12	1/2	-8	2
*H0000308S	[57.2]	7.75 [196.9]	[28.6]	[38.1]	[60.3]	[6.4]	[44.5]	[7.9]	--	7.13 [181.0]	[7.1]	4					3
*H0000408S		10.13 [257.2]							--	9.50 [241.3]		4					4
*H0000608S		14.88 [377.8]							7.13 [181.0]	14.25 [362.0]		6					6
*H0000808S		19.63 [498.5]							9.50 [241.3]	19.00 [482.6]		6					8
*H0001008S		24.38 [619.1]							11.88 [301.6]	23.75 [603.3]		6					10
H0000212	2.50	6.88 [174.6]	1.25	1.81	3.25	0.28	1.94	0.38	--	6.13 [155.6]	0.34	4	1"	-16	3/4	-12	2
H0000312	[63.5]	10.13 [257.2]	[31.8]	[46.0]	[82.6]	[7.1]	[49.2]	[9.5]	--	9.38 [238.1]	[8.7]	4					3
H0000412		13.38 [339.7]							--	12.63 [320.7]		4					4
H0000612		19.88 [504.8]							9.56 [242.9]	19.13 [485.8]		6					6
H0000812		26.38 [669.9]							12.81 [325.4]	25.63 [650.9]		6					8
H0001012		32.88 [835.0]							16.06 [408.0]	32.13 [816.0]		6					10
H0000216	3.00	7.75 [197.0]	1.50	2.00	3.75	0.34	2.31	0.38	--	7.00 [177.8]	0.41	4	1-1/4	-20	1"	-16	2
H0000316	[76.2]	11.50 [292.1]	[38.1]	[50.8]	[95.3]	[8.7]	[58.7]	[9.5]	--	10.75 [273.1]	[10.3]	4					3
H0000416		15.25 [387.4]							--	14.50 [368.3]		4					4
H0000616		22.75 [577.9]							11.00 [279.4]	22.00 [558.8]		6					6
H0000816		30.25 [768.4]							14.75 [374.7]	29.50 [749.3]		6					8
H0001016		37.75 [958.9]							18.50 [469.9]	37.00 [939.8]		6					10
H0000220	3.50	8.50 [215.9]	1.75	2.25	4.00	0.41	2.69	0.50	--	7.50 [190.5]	0.53	4	1-1/2	-24	1-1/4	-20	2
H0000320	[88.9]	12.50 [317.5]	[44.5]	[57.2]	[101.6]	[10.3]	[68.3]	[12.7]	--	11.50 [292.1]	[13.5]	4					3
H0000420		16.50 [419.1]							--	15.50 [393.7]		4					4
H0000620		24.50 [622.3]							11.75 [298.5]	23.50 [596.9]		6					6
H0000820		32.50 [825.5]							15.75 [400.1]	31.50 [800.1]		6					8
*H0000224P	4.00	10.00 [254.0]	2.00	2.50	5.00	0.41	3.19	0.50	--	9.00 [228.6]	0.53	4	2"	-32	1-1/2	-24	2
*H0000324P	[101.6]	15.00 [381.0]	[50.8]	[63.5]	[127.0]	[10.3]	[81.0]	[12.7]	--	14.00 [355.6]	[13.5]	4					3
*H0000424P		20.00 [508.0]							9.50 [241.3]	19.00 [482.6]		6					4
*H0000624P		30.00 [762.0]							14.50 [368.3]	29.00 [736.6]		6					6
*H0000224S	4.50	10.00 [254.0]	2.25	2.50	5.00	0.41	3.69	0.50	--	9.00 [228.6]	0.53	4	2"	-32	1-1/2	-24	2
*H0000324S	[114.3]	15.00 [381.0]	[57.2]	[63.5]	[127.0]	[10.3]	[93.7]	[12.7]	--	14.00 [355.6]	[13.5]	4					3
*H0000424S		20.00 [508.0]							9.50 [241.3]	19.00 [482.6]		6					4
*H0000624S		30.00 [762.0]							14.50 [368.3]	29.00 [736.6]		6					6