

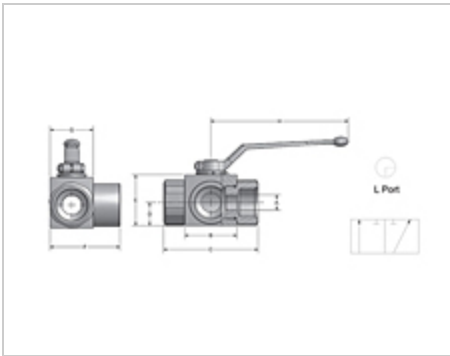
ITEM # AE3LS#6-11DB, AE3 THREE-WAY BLOCK BODY THREADED BALL VALVES

Carbon Steel with Zinc Chromate Plating (RoHS Compliant).

316 stainless steel available from stock.

POM seats & Buna O-rings standard on carbon steel valves.

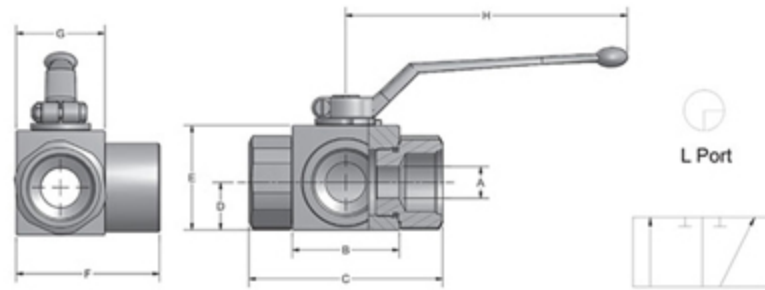
Optional seal materials available for extreme temperature applications & fluid compatibility (Consult Factory).



SPECIFICATIONS

-

Dimension Drawing



AE3 Three-Way Block Body Threaded Ball Valves

Port Type Diverter L-Port

Connection Type SAE Straight Thread

Connection Size #6

Bore Restriction Unrestricted Bore

Body & Adapter Material Carbon Steel

Ball & Stem Material Carbon Steel

Ball & Stem Seats PA612
PEEK
Polyoxymethylene (POM)

Maximum Pressure 5800 psi

Bore Dimension A 0.39 in

Dimension B 1.750 in



Contact us!

Dimension C	2.870 in
Dimension D	0.670 in
Dimension E	1.570 in
Dimension F	2.150 in
Dimension G	1.380 in
Dimension H	4.330 in
Weight	1.5 lb
Industry Standards	RoHS Compliant SAE J1926/1
Plating	Zinc Chromate
Type	Full Bore
Note	Only pressurize center port. Side ports should not be pressurized or be exposed to back pressure that is greater than the inlet pressure. Failure to follow these guidelines will result in internal leakage through the valve.