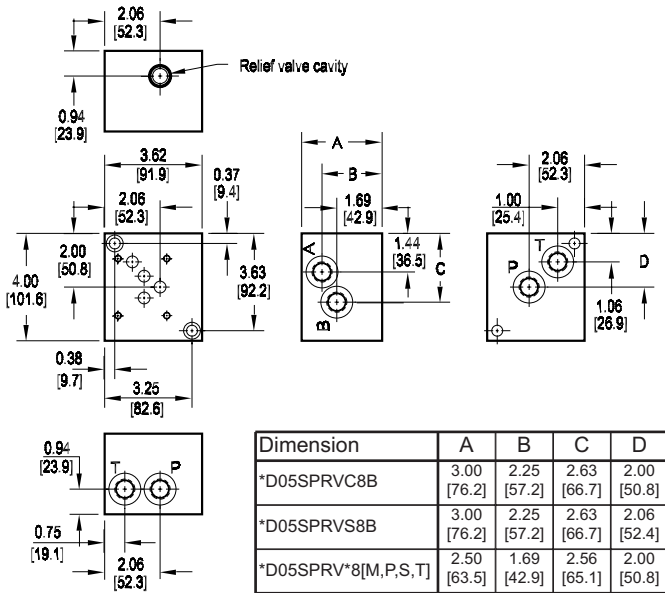


D05 Subplates with Relief Cavity

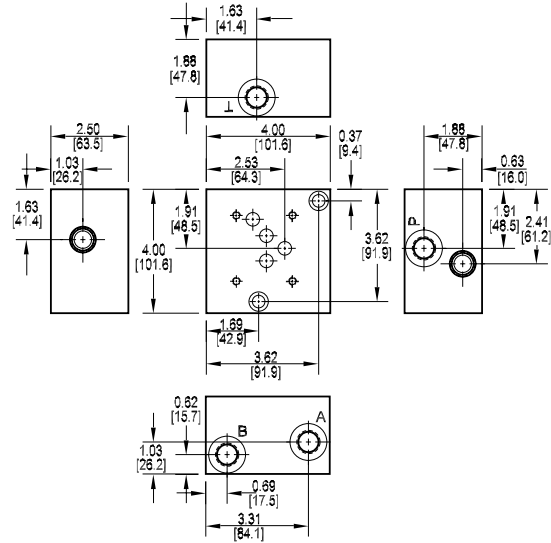
Dual Ported Subplate with Main Relief Cavity

Valve mtg: UNC 0.25-20 x 0.75 DP or
Metric M6-1.0mm ISO 6H x [19.1] DP
Subplate hardware kit is supplied.
See page 121 for itemized list.



Side Ported Subplate with Cylinder Port Crossover Relief Cavities

Valve mtg: UNC 0.25-20 x 0.75 DP or
Metric M6-1.0mm ISO 6H x [19.1] DP
Subplate hardware kit is supplied.
See page 122 for itemized list.



Specifications, descriptions, and dimensional data are subject to correction or change without notice or incurring obligation. Download latest catalog page revisions at www.damanifolds.com.

Ordering Information

Material	Valve Pattern	Product Type	Circuit	Relief Cavity	Port Threads																																								
<table border="1"> <thead> <tr> <th colspan="2">Material</th> </tr> </thead> <tbody> <tr> <td>A</td> <td>Aluminum - 6061-T6 3000† psi • 20.7 MPa</td> </tr> <tr> <td>D</td> <td>Ductile Iron - D4512 5000† psi • 34.5 MPa</td> </tr> <tr> <td colspan="2">† Working pressure should be considered in accordance with ISO 4413 to determine appropriate material type.</td> </tr> </tbody> </table>	Material		A	Aluminum - 6061-T6 3000† psi • 20.7 MPa	D	Ductile Iron - D4512 5000† psi • 34.5 MPa	† Working pressure should be considered in accordance with ISO 4413 to determine appropriate material type.		<table border="1"> <thead> <tr> <th colspan="2">Valve Pattern</th> </tr> </thead> <tbody> <tr> <td>D05</td> <td>ISO 4401-05-04 NFPA T3.5.1-D05 See Tech Information</td> </tr> </tbody> </table>	Valve Pattern		D05	ISO 4401-05-04 NFPA T3.5.1-D05 See Tech Information	<table border="1"> <thead> <tr> <th colspan="2">Product Type</th> </tr> </thead> <tbody> <tr> <td>SP</td> <td>Subplate</td> </tr> </tbody> </table>	Product Type		SP	Subplate	<table border="1"> <thead> <tr> <th colspan="2">Circuit</th> </tr> </thead> <tbody> <tr> <td>RV</td> <td>Main Relief P to T</td> </tr> <tr> <td>CR</td> <td>Crossover Reliefs A to B and B to A</td> </tr> </tbody> </table>	Circuit		RV	Main Relief P to T	CR	Crossover Reliefs A to B and B to A	<table border="1"> <thead> <tr> <th colspan="2">Relief Cavity</th> </tr> </thead> <tbody> <tr> <td>C</td> <td>Common cavity C-10-2 (P in nose)</td> </tr> <tr> <td>S</td> <td>Sun Cavity T-10A (P in nose) See Tech Info for valves.</td> </tr> </tbody> </table>	Relief Cavity		C	Common cavity C-10-2 (P in nose)	S	Sun Cavity T-10A (P in nose) See Tech Info for valves.	<table border="1"> <thead> <tr> <th colspan="2">Port Threads</th> </tr> </thead> <tbody> <tr> <td>8P</td> <td>0.50-14 NPTF ANSI B1.20.3</td> </tr> <tr> <td>8S</td> <td>-8 SAE ISO 11926; SAE 1926</td> </tr> <tr> <td>8B</td> <td>0.50-14 BSPP ISO 1179; BS 2779</td> </tr> <tr> <td>8M</td> <td>M18 x 1.5 ISO 6149</td> </tr> <tr> <td>8T</td> <td>0.50-14 BSPT ISO 7; BS 21</td> </tr> </tbody> </table>	Port Threads		8P	0.50-14 NPTF ANSI B1.20.3	8S	-8 SAE ISO 11926; SAE 1926	8B	0.50-14 BSPP ISO 1179; BS 2779	8M	M18 x 1.5 ISO 6149	8T	0.50-14 BSPT ISO 7; BS 21
Material																																													
A	Aluminum - 6061-T6 3000† psi • 20.7 MPa																																												
D	Ductile Iron - D4512 5000† psi • 34.5 MPa																																												
† Working pressure should be considered in accordance with ISO 4413 to determine appropriate material type.																																													
Valve Pattern																																													
D05	ISO 4401-05-04 NFPA T3.5.1-D05 See Tech Information																																												
Product Type																																													
SP	Subplate																																												
Circuit																																													
RV	Main Relief P to T																																												
CR	Crossover Reliefs A to B and B to A																																												
Relief Cavity																																													
C	Common cavity C-10-2 (P in nose)																																												
S	Sun Cavity T-10A (P in nose) See Tech Info for valves.																																												
Port Threads																																													
8P	0.50-14 NPTF ANSI B1.20.3																																												
8S	-8 SAE ISO 11926; SAE 1926																																												
8B	0.50-14 BSPP ISO 1179; BS 2779																																												
8M	M18 x 1.5 ISO 6149																																												
8T	0.50-14 BSPT ISO 7; BS 21																																												