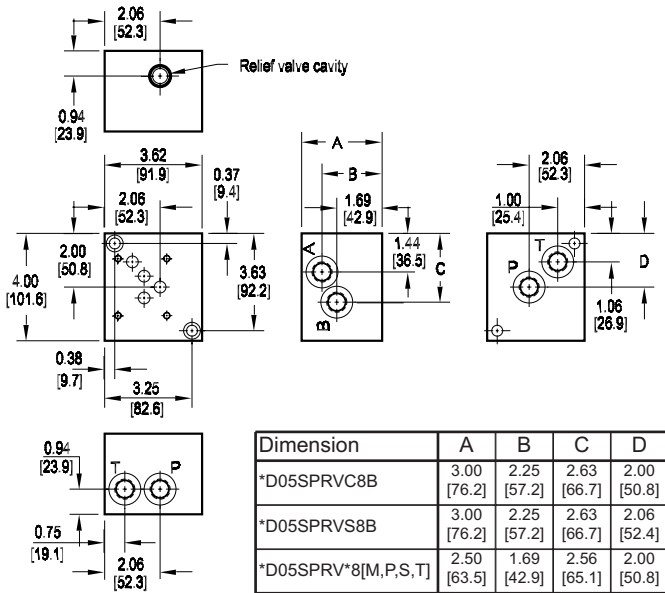


# D05 Subplates with Relief Cavity

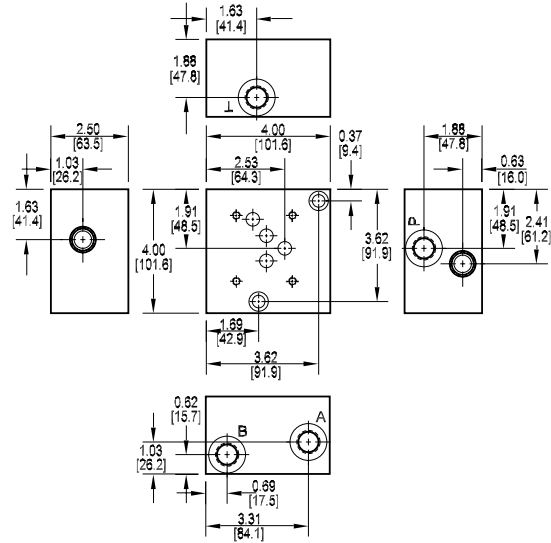
## Dual Ported Subplate with Main Relief Cavity

Valve mtg: UNC 0.25-20 x 0.75 DP or  
Metric M6-1.0mm ISO 6H x [19.1] DP  
Subplate hardware kit is supplied.  
See page 121 for itemized list.



## Side Ported Subplate with Cylinder Port Crossover Relief Cavities

Valve mtg: UNC 0.25-20 x 0.75 DP or  
Metric M6-1.0mm ISO 6H x [19.1] DP  
Subplate hardware kit is supplied.  
See page 122 for itemized list.



Specifications, descriptions, and dimensional data are subject to correction or change without notice or incurring obligation. Download latest catalog page revisions at [www.damanifolds.com](http://www.damanifolds.com).

# Ordering Information

