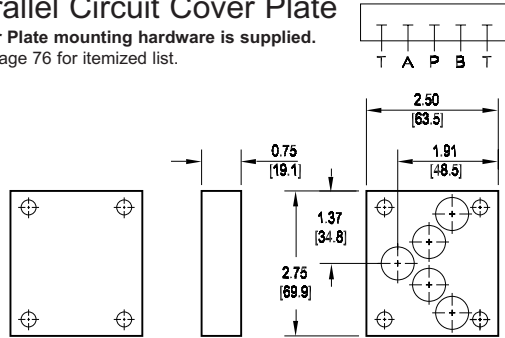


# D05 Cover Plates

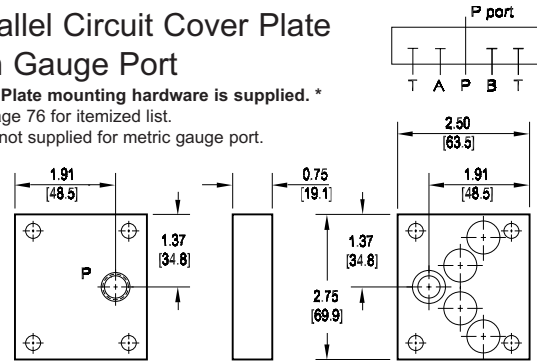
## Parallel Circuit Cover Plate

Cover Plate mounting hardware is supplied.  
See page 76 for itemized list.



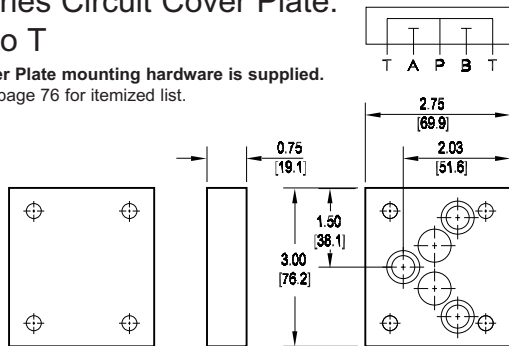
## Parallel Circuit Cover Plate with Gauge Port

Cover Plate mounting hardware is supplied.\*  
See page 76 for itemized list.  
\* Plug not supplied for metric gauge port.



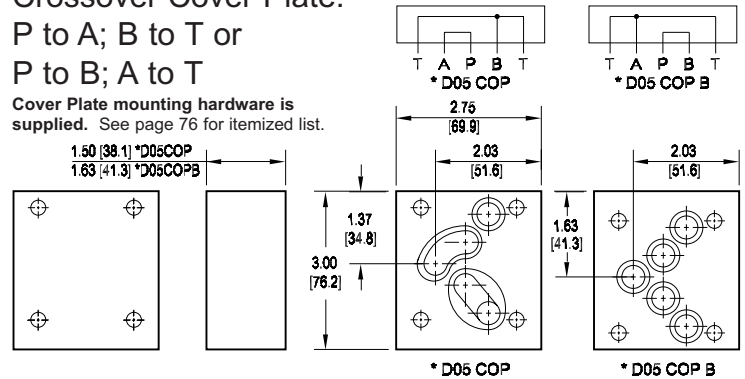
## Series Circuit Cover Plate: P to T

Cover Plate mounting hardware is supplied.  
See page 76 for itemized list.



## Crossover Cover Plate: P to A; B to T or P to B; A to T

Cover Plate mounting hardware is supplied. See page 76 for itemized list.



Specifications, descriptions, and dimensional data are subject to correction or change without notice or incurring obligation.  
Download latest catalog page revisions at [www.damanifolds.com](http://www.damanifolds.com).

# Ordering Information

