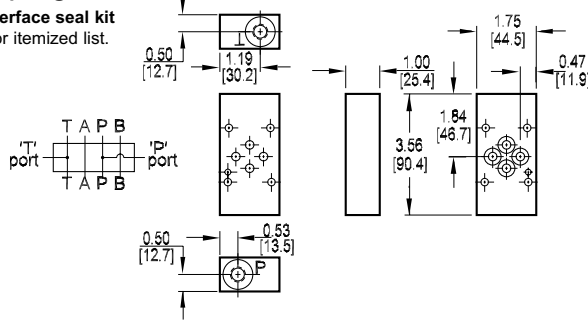


# D03 Tapping Plates

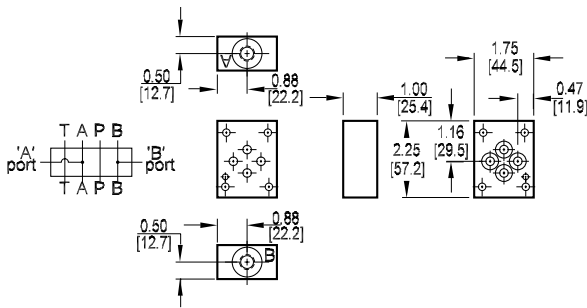
## P and T Port Tapping Plate

Tapping Plate hardware / interface seal kit is supplied. See page 164 for itemized list.



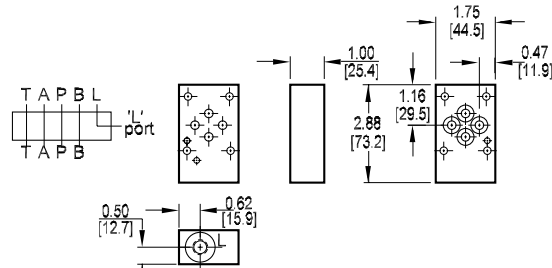
## A and B Port Tapping Plate

Tapping Plate hardware / interface seal kit is supplied. See page 164 for itemized list.



## L Port Tapping Plate

Tapping Plate hardware / interface seal kit is supplied. See page 164 for itemized list.



Specifications, descriptions, and dimensional data are subject to correction or change without notice or incurring obligation. Download latest catalog page revisions at [www.damanifolds.com](http://www.damanifolds.com).

# Ordering Information

Material	Valve Pattern	Product Type	Circuit	Port Threads																																				
<table border="1"> <thead> <tr> <th colspan="2">Material</th> </tr> </thead> <tbody> <tr> <td><b>A</b></td> <td>Aluminum - 6061-T6 3000† psi • 20.7 MPa</td> </tr> <tr> <td><b>D</b></td> <td>Ductile Iron - D4512 5000† psi • 34.5 MPa</td> </tr> <tr> <td colspan="2">† Working pressure should be considered in accordance with ISO 4413 to determine appropriate material type.</td> </tr> </tbody> </table>	Material		<b>A</b>	Aluminum - 6061-T6 3000† psi • 20.7 MPa	<b>D</b>	Ductile Iron - D4512 5000† psi • 34.5 MPa	† Working pressure should be considered in accordance with ISO 4413 to determine appropriate material type.		<table border="1"> <thead> <tr> <th colspan="2">Valve Pattern</th> </tr> </thead> <tbody> <tr> <td><b>D03</b></td> <td>ISO 4401-03-02 NFPA T3.5.1-D03 See Tech Infomation</td> </tr> </tbody> </table>	Valve Pattern		<b>D03</b>	ISO 4401-03-02 NFPA T3.5.1-D03 See Tech Infomation	<table border="1"> <thead> <tr> <th colspan="2">Product Type</th> </tr> </thead> <tbody> <tr> <td><b>TP</b></td> <td>Tapping Plate</td> </tr> </tbody> </table>	Product Type		<b>TP</b>	Tapping Plate	<table border="1"> <thead> <tr> <th colspan="2">Circuit</th> </tr> </thead> <tbody> <tr> <td><b>PT</b></td> <td>P and T ports provided</td> </tr> <tr> <td><b>AB</b></td> <td>A and B ports provided</td> </tr> <tr> <td><b>L</b></td> <td>L port provided</td> </tr> </tbody> </table>	Circuit		<b>PT</b>	P and T ports provided	<b>AB</b>	A and B ports provided	<b>L</b>	L port provided	<table border="1"> <thead> <tr> <th colspan="2">Port Threads</th> </tr> </thead> <tbody> <tr> <td><b>4P</b></td> <td>0.25-18 NPTF ANSI B1.20.3</td> </tr> <tr> <td><b>4S</b></td> <td>-4 SAE ISO 11926; SAE 1926</td> </tr> <tr> <td><b>4B</b></td> <td>0.25-19 BSPP ISO 1179; BS 2779</td> </tr> <tr> <td><b>4M</b></td> <td>M10 x 1.0 ISO 6149</td> </tr> <tr> <td><b>4T</b></td> <td>0.25-19 BSPT ISO 7; BS 21</td> </tr> </tbody> </table>	Port Threads		<b>4P</b>	0.25-18 NPTF ANSI B1.20.3	<b>4S</b>	-4 SAE ISO 11926; SAE 1926	<b>4B</b>	0.25-19 BSPP ISO 1179; BS 2779	<b>4M</b>	M10 x 1.0 ISO 6149	<b>4T</b>	0.25-19 BSPT ISO 7; BS 21
Material																																								
<b>A</b>	Aluminum - 6061-T6 3000† psi • 20.7 MPa																																							
<b>D</b>	Ductile Iron - D4512 5000† psi • 34.5 MPa																																							
† Working pressure should be considered in accordance with ISO 4413 to determine appropriate material type.																																								
Valve Pattern																																								
<b>D03</b>	ISO 4401-03-02 NFPA T3.5.1-D03 See Tech Infomation																																							
Product Type																																								
<b>TP</b>	Tapping Plate																																							
Circuit																																								
<b>PT</b>	P and T ports provided																																							
<b>AB</b>	A and B ports provided																																							
<b>L</b>	L port provided																																							
Port Threads																																								
<b>4P</b>	0.25-18 NPTF ANSI B1.20.3																																							
<b>4S</b>	-4 SAE ISO 11926; SAE 1926																																							
<b>4B</b>	0.25-19 BSPP ISO 1179; BS 2779																																							
<b>4M</b>	M10 x 1.0 ISO 6149																																							
<b>4T</b>	0.25-19 BSPT ISO 7; BS 21																																							