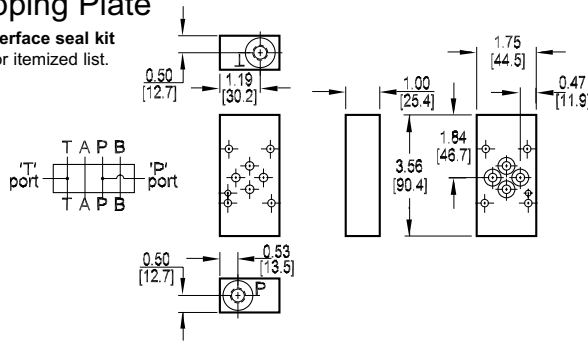


D03 Tapping Plates

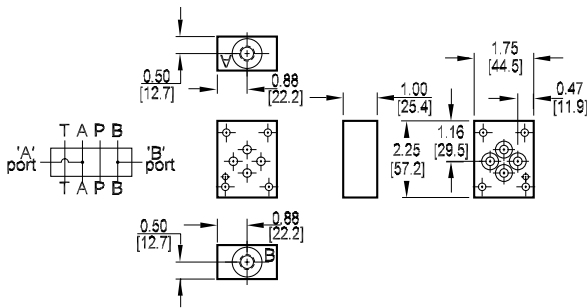
P and T Port Tapping Plate

Tapping Plate hardware / interface seal kit is supplied. See page 164 for itemized list.



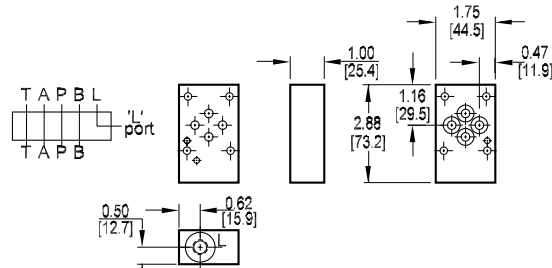
A and B Port Tapping Plate

Tapping Plate hardware / interface seal kit is supplied. See page 164 for itemized list.



L Port Tapping Plate

Tapping Plate hardware / interface seal kit is supplied. See page 164 for itemized list.



Specifications, descriptions, and dimensional data are subject to correction or change without notice or incurring obligation. Download latest catalog page revisions at www.damanifolds.com.

Ordering Information

Material	Valve Pattern	Product Type	Circuit	Port Threads																																				
<table border="1"> <thead> <tr> <th colspan="2">Material</th> </tr> </thead> <tbody> <tr> <td>A</td> <td>Aluminum - 6061-T6 3000† psi • 20.7 MPa</td> </tr> <tr> <td>D</td> <td>Ductile Iron - D4512 5000† psi • 34.5 MPa</td> </tr> <tr> <td colspan="2">† Working pressure should be considered in accordance with ISO 4413 to determine appropriate material type.</td> </tr> </tbody> </table>	Material		A	Aluminum - 6061-T6 3000† psi • 20.7 MPa	D	Ductile Iron - D4512 5000† psi • 34.5 MPa	† Working pressure should be considered in accordance with ISO 4413 to determine appropriate material type.		<table border="1"> <thead> <tr> <th colspan="2">Valve Pattern</th> </tr> </thead> <tbody> <tr> <td>D03</td> <td>ISO 4401-03-02 NFPA T3.5.1-D03 See Tech Infomation</td> </tr> </tbody> </table>	Valve Pattern		D03	ISO 4401-03-02 NFPA T3.5.1-D03 See Tech Infomation	<table border="1"> <thead> <tr> <th colspan="2">Product Type</th> </tr> </thead> <tbody> <tr> <td>TP</td> <td>Tapping Plate</td> </tr> </tbody> </table>	Product Type		TP	Tapping Plate	<table border="1"> <thead> <tr> <th colspan="2">Circuit</th> </tr> </thead> <tbody> <tr> <td>PT</td> <td>P and T ports provided</td> </tr> <tr> <td>AB</td> <td>A and B ports provided</td> </tr> <tr> <td>L</td> <td>L port provided</td> </tr> </tbody> </table>	Circuit		PT	P and T ports provided	AB	A and B ports provided	L	L port provided	<table border="1"> <thead> <tr> <th colspan="2">Port Threads</th> </tr> </thead> <tbody> <tr> <td>4P</td> <td>0.25-18 NPTF ANSI B1.20.3</td> </tr> <tr> <td>4S</td> <td>-4 SAE ISO 11926; SAE 1926</td> </tr> <tr> <td>4B</td> <td>0.25-19 BSPP ISO 1179; BS 2779</td> </tr> <tr> <td>4M</td> <td>M10 x 1.0 ISO 6149</td> </tr> <tr> <td>4T</td> <td>0.25-19 BSPT ISO 7; BS 21</td> </tr> </tbody> </table>	Port Threads		4P	0.25-18 NPTF ANSI B1.20.3	4S	-4 SAE ISO 11926; SAE 1926	4B	0.25-19 BSPP ISO 1179; BS 2779	4M	M10 x 1.0 ISO 6149	4T	0.25-19 BSPT ISO 7; BS 21
Material																																								
A	Aluminum - 6061-T6 3000† psi • 20.7 MPa																																							
D	Ductile Iron - D4512 5000† psi • 34.5 MPa																																							
† Working pressure should be considered in accordance with ISO 4413 to determine appropriate material type.																																								
Valve Pattern																																								
D03	ISO 4401-03-02 NFPA T3.5.1-D03 See Tech Infomation																																							
Product Type																																								
TP	Tapping Plate																																							
Circuit																																								
PT	P and T ports provided																																							
AB	A and B ports provided																																							
L	L port provided																																							
Port Threads																																								
4P	0.25-18 NPTF ANSI B1.20.3																																							
4S	-4 SAE ISO 11926; SAE 1926																																							
4B	0.25-19 BSPP ISO 1179; BS 2779																																							
4M	M10 x 1.0 ISO 6149																																							
4T	0.25-19 BSPT ISO 7; BS 21																																							