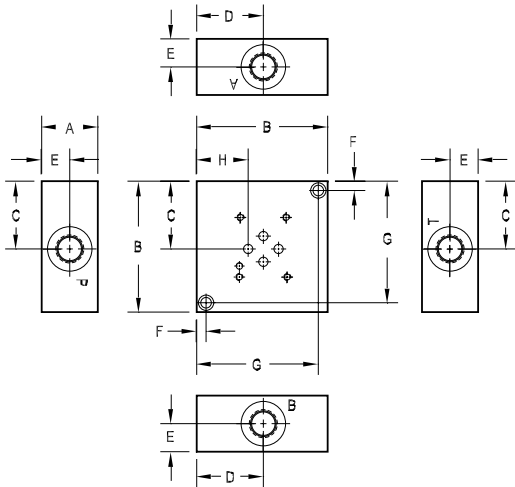


# D03 Subplates

## Side Ported Subplate

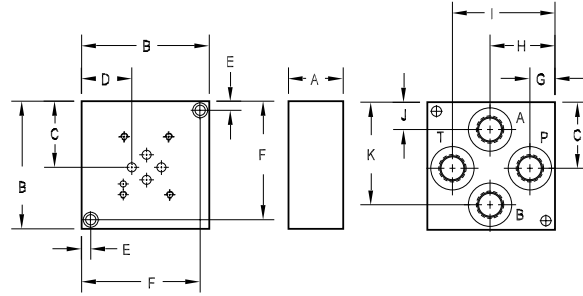
Valve mtg: UNC #10-24 x 0.63 DP or  
Metric M5-0.8mm ISO 6H x [16] DP  
Subplate hardware kit is supplied.  
See page 121 for itemized list.



Dimension	A	B	C	D	E	F	G	H
*D03SPS4P	1.00	2.50	1.31	1.25	0.50	0.25	2.25	0.88
*D03SPS6*	[25.4]	[63.5]	[33.3]	[31.8]	[12.7]	[6.4]	[57.2]	[22.4]
*D03SPS8*	1.50	3.50	1.81	1.78	0.75	0.25	3.25	1.38
	[38.1]	[88.9]	[46.0]	[45.2]	[19.1]	[6.4]	[82.6]	[34.9]
*D03SPS12*	1.75	4.00	2.06	2.03	0.88	0.38	3.63	1.63
	[44.5]	[101.6]	[52.4]	[51.6]	[22.2]	[9.5]	[92.1]	[41.3]

## Back Ported Subplate

Valve mtg: UNC #10-24 x 0.63 DP or  
Metric M5-0.8mm ISO 6H x [16] DP  
Subplate hardware kit is supplied.  
See page 121 for itemized list.



Dimension	A	B	C	D	E	F	G	H	I	J	K
*D03SPB4P	1.00	2.50	1.31	0.88	0.25	2.25	0.66	1.28	1.91	0.75	1.88
	[25.4]	[63.5]	[33.3]	[22.4]	[6.4]	[57.2]	[16.7]	[32.5]	[48.4]	[19.1]	[47.6]
*D03SPB6B	1.00	2.50	1.25	0.84	0.25	2.25	0.51	1.25	1.98	0.52	1.97
	[25.4]	[63.5]	[31.8]	[21.4]	[6.4]	[57.2]	[13.0]	[31.8]	[50.4]	[13.2]	[50.0]
*D03SPB6[M,P,S,T]	1.00	2.50	1.31	0.88	0.25	2.25	0.59	1.28	1.97	0.69	1.94
	[25.4]	[63.5]	[33.3]	[22.4]	[6.4]	[57.2]	[15.1]	[32.5]	[50.0]	[17.5]	[49.2]
*D03SPB8*	1.50	3.50	1.81	1.38	0.25	3.25	0.69	1.78	2.81	0.75	2.81
	[38.1]	[88.9]	[46.0]	[34.9]	[6.4]	[82.6]	[17.5]	[45.2]	[71.4]	[19.1]	[71.4]
*D03SPB12*	1.50	4.50	2.31	1.88	0.38	4.13	0.94	2.28	3.56	0.94	3.56
	[38.1]	[114.3]	[58.8]	[47.6]	[9.5]	[104.8]	[23.8]	[57.9]	[90.5]	[23.8]	[90.5]

Specifications, descriptions, and dimensional data are subject to correction or change without notice or incurring obligation.  
Download latest catalog page revisions at [www.damanifolds.com](http://www.damanifolds.com).

# Ordering Information



Material	
<b>A</b>	Aluminum - 6061-T6 3000† psi • 20.7 MPa
<b>D</b>	Ductile Iron - D4512 5000† psi • 34.5 MPa
† Working pressure should be considered in accordance with ISO 4413 to determine appropriate material type.	

Product Type	
<b>SP</b>	Subplate

Port Location	
<b>S</b>	Side ported
<b>B</b>	Back Ported

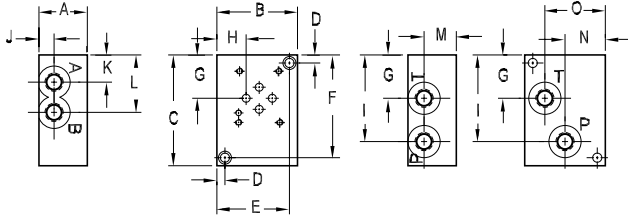
Valve Pattern	
<b>D03</b>	ISO 4401-03-02 NFFPA T3.5.1-D03 See Tech Information

Port Threads					
<b>4P</b>	0.25-18 NPTF ANSI B1.20.3				
<b>6P</b>	0.38-18 NPTF ANSI B1.20.3	<b>8P</b>	0.50-14 NPTF ANSI B1.20.3	<b>12P</b>	0.75-14 NPTF ANSI B1.20.3
<b>6S</b>	-6 SAE ISO 11926; SAE 1926	<b>8S</b>	-8 SAE ISO 11926; SAE 1926	<b>12S</b>	-12 SAE ISO 11926; SAE 1926
<b>6B</b>	0.38-19 BSPP ISO 1179; BS 2779	<b>8B</b>	0.50-14 BSPP ISO 1179; BS 2779	<b>12B</b>	0.75-14 BSPP ISO 1179; BS 2779
<b>6M</b>	M14 x 1.5 ISO 6149	<b>8M</b>	M18 x 1.5 ISO 6149	<b>12M</b>	M27 x 2.0 ISO 6149
<b>6T</b>	0.38-19 BSPT ISO 7; BS 21	<b>8T</b>	0.50-14 BSPT ISO 7; BS 21	<b>12T</b>	0.75-14 BSPT ISO 7; BS 21

# D03 Subplates

## Dual Ported Subplate

Valve mtg: UNC #10-24 x 0.50 DP or  
Metric M5-0.8mm ISO 6H x [12.7] DP  
Subplate hardware kit is supplied.  
See page 121 for itemized list.

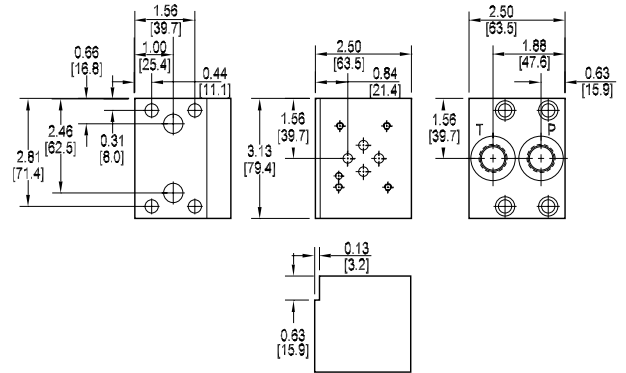


Dimension	A	B	C	D	E	F	G	H
*D03SPSB6*	1.50 [38.1]	2.50 [63.5]	3.44 [87.4]	0.25 [6.4]	2.25 [57.2]	3.19 [81.0]	1.34 [34.0]	0.91 [23.1]
*D03SPSB8*	2.00 [50.8]	2.75 [69.9]	3.75 [95.3]	0.25 [6.4]	2.50 [63.5]	3.50 [88.9]	1.34 [34.0]	0.91 [23.1]

Dimension	I	J	K	L	M	N	O
*D03SPSB6B	2.69 [68.3]	0.50 [12.7]	0.72 [18.3]	1.78 [45.2]	1.00 [25.4]	1.25 [31.8]	1.88 [47.8]
*D03SPSB6[M,P,S,T]	2.69 [68.3]	0.47 [11.9]	0.84 [21.4]	1.78 [45.2]	1.00 [25.4]	1.25 [31.8]	1.88 [47.8]
*D03SPSB8B	3.00 [76.2]	0.88 [22.2]	0.69 [17.5]	1.97 [50.0]	1.38 [34.9]	1.44 [36.5]	1.94 [49.2]
*D03SPSB8[M,P,S,T]	3.00 [76.2]	0.88 [22.2]	0.69 [17.5]	1.94 [49.2]	1.38 [34.9]	1.44 [36.5]	1.94 [49.2]

## Motor Mounted Subplate

Available with NPTF or SAE ports only.  
Valve mtg: UNC #10-24 x 0.63 DP  
Subplate hardware kit is supplied.  
See page 121 for itemized list.



Specifications, descriptions, and dimensional data are subject to correction or change without notice or incurring obligation. Download latest catalog page revisions at [www.damanifolds.com](http://www.damanifolds.com).

# Ordering Information



Material	
<b>A</b>	Aluminum - 6061-T6 3000† psi • 20.7 MPa
<b>D</b>	Ductile Iron - D4512 5000† psi • 34.5 MPa
† Working pressure should be considered in accordance with ISO 4413 to determine appropriate material type.	

Product Type	
<b>SP</b>	Subplate

Port Location	
<b>SB</b>	Side P,A,B,T ports Back P & T ports
<b>M</b>	Motor mounting 8P or 8S ports only

Valve Pattern	
<b>D03</b>	ISO 4401-03-02 NFPA T3.5.1-D03 See Tech Information

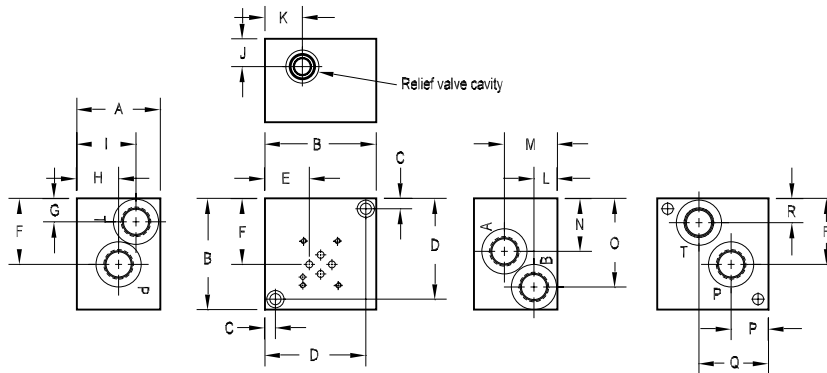
Port Threads			
Port location SB only		Port location SB or M	
<b>6P</b>	0.38-18 NPTF ANSI B1.20.3	<b>8P</b>	0.50-14 NPTF ANSI B1.20.3
<b>6S</b>	-6 SAE ISO 11926; SAE 1926	<b>8S</b>	-8 SAE ISO 11926; SAE 1926
<b>6B</b>	0.38-19 BSPP ISO 1179; BS 2779	Port location SB only	
<b>6M</b>	M14 x 1.5 ISO 6149	<b>8B</b>	0.50-14 BSPP ISO 1179; BS 2779
<b>6T</b>	0.38-19 BSPT ISO 7; BS 21	<b>8M</b>	M18 x 1.5 ISO 6149
		<b>8T</b>	0.50-14 BSPT ISO 7; BS 21

# D03 Subplates with Relief Cavity

## Dual Ported Subplate with Main Relief Cavity

Valve mtg: UNC #10-24 x 0.63 DP or  
Metric M5-0.8mm ISO 6H x [16] DP

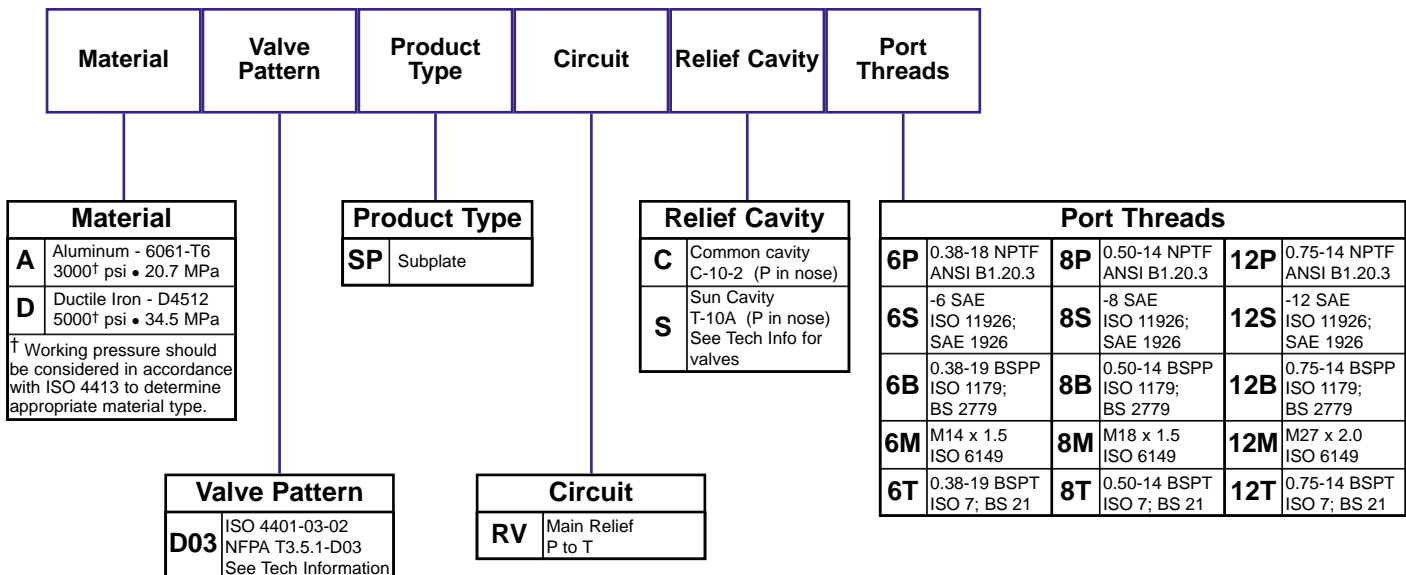
Subplate hardware kit is supplied.  
See page 121 for itemized list.



Dimension	A	B	C	D	E	F	G	H	I	J	K	L	M	N	O	P	Q	R
*D03SPRV*6*	2.25 [57.2]	3.00 [76.2]	0.31 [7.9]	2.69 [68.3]	0.97 [24.6]	2.00 [50.8]	0.69 [17.5]	1.66 [42.1]	1.66 [42.1]	0.88 [22.2]	0.84 [21.3]	0.88 [22.2]	1.63 [41.3]	1.53 [38.9]	2.37 [60.2]	0.97 [24.6]	1.69 [42.9]	0.69 [17.5]
*D03SPRV*8*	3.00 [76.2]	3.50 [88.9]	0.38 [9.5]	3.12 [79.4]	1.34 [34.1]	2.19 [55.6]	0.81 [20.6]	1.50 [38.1]	2.00 [50.8]	1.00 [25.4]	1.09 [22.8]	0.84 [21.4]	1.91 [48.4]	1.72 [43.6]	2.53 [64.3]	1.09 [22.8]	2.25 [57.2]	0.81 [20.6]
*D03SPRV*12*	3.00 [76.2]	4.00 [101.6]	0.38 [9.5]	3.63 [92.1]	1.59 [40.5]	2.38 [60.3]	0.84 [21.4]	1.50 [38.1]	2.13 [54.0]	1.00 [25.4]	1.34 [34.1]	0.84 [21.4]	1.91 [48.4]	1.91 [48.4]	3.19 [81.0]	1.34 [34.1]	2.50 [63.5]	0.88 [22.2]

Specifications, descriptions, and dimensional data are subject to correction or change without notice or incurring obligation. Download latest catalog page revisions at [www.damanifolds.com](http://www.damanifolds.com).

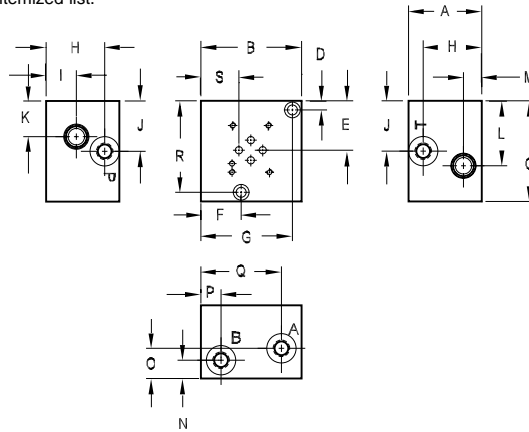
## Ordering Information



# D03 Subplates with Relief Cavity

## Side Ported Subplate with Cylinder Port Crossover Relief Cavities

Valve mtg: UNC #10-24 x 0.63 DP or  
Metric M5-0.8mm ISO 6H x [16] DP  
Subplate hardware kit is supplied.  
See page 121 for itemized list.



Dimension	A	B	C	D	E	F	G	H	I	J	K	L	M	N	O	P	Q	R	S
*D03SPCR*6*	2.50 [63.5]	3.50 [88.9]	3.50 [88.9]	0.31 [7.9]	1.69 [42.9]	1.41 [35.7]	3.19 [81.0]	2.00 [50.8]	1.03 [26.2]	1.72 [43.7]	1.22 [31.0]	2.22 [56.4]	0.63 [16.0]	0.63 [16.0]	1.03 [26.2]	0.69 [17.5]	2.81 [71.4]	3.19 [81.0]	1.33 [33.7]
*D03SPCR*12*	4.00 [101.6]	5.00 [127.0]	4.50 [114.3]	0.38 [9.5]	2.00 [50.8]	2.50 [63.5]	2.50 [63.5]	3.00 [76.2]	1.25 [31.8]	2.00 [50.8]	1.50 [38.1]	2.50 [63.5]	1.00 [25.4]	1.25 [31.8]	1.38 [35.1]	1.00 [25.4]	4.00 [101.6]	4.13 [104.8]	2.06 [52.8]

Specifications, descriptions, and dimensional data are subject to correction or change without notice or incurring obligation. Download latest catalog page revisions at [www.damanifolds.com](http://www.damanifolds.com).

## Ordering Information

Material	Valve Pattern	Product Type	Circuit	Relief Cavity	Port Threads
----------	---------------	--------------	---------	---------------	--------------

Material	
<b>A</b>	Aluminum - 6061-T6 3000† psi • 20.7 MPa
<b>D</b>	Ductile Iron - D4512 5000† psi • 34.5 MPa

† Working pressure should be considered in accordance with ISO 4413 to determine appropriate material type.

Product Type	
<b>SP</b>	Subplate

Relief Cavity	
<b>C</b>	Common cavity C-10-2 (P in nose)
<b>S</b>	Sun Cavity T-10A (P in nose) See Tech Info for valves

Port Threads			
<b>6P</b>	0.38-18 NPTF ANSI B1.20.3	<b>12P</b>	0.75-14 NPTF ANSI B1.20.3
<b>6S</b>	-6 SAE ISO 11926; SAE 1926	<b>12S</b>	-12 SAE ISO 11926; SAE 1926
<b>6B</b>	0.38-19 BSPP ISO 1179; BS 2779	<b>12B</b>	0.75-14 BSPP ISO 1179; BS 2779
<b>6M</b>	M14 x 1.5 ISO 6149	<b>12M</b>	M27 x 2.0 ISO 6149
<b>6T</b>	0.38-19 BSPT ISO 7; BS 21	<b>12T</b>	0.75-14 BSPT ISO 7; BS 21

Valve Pattern	
<b>D03</b>	ISO 4401-03-02 NFFPA T3.5.1-D03 See Tech Information

Circuit	
<b>CR</b>	Crossover Reliefs A to B and B to A