

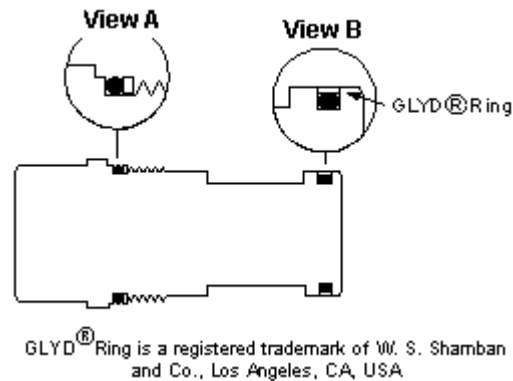
Series 2 - T-3A cavity, Viton, cartridge seal kit

Functional Group:
 Products : Accessories : Cartridge Seal Kits

Model:
 990-303-006

Product Description

Sun offers replacement seal kits for all cartridge models. These kits include all of the external seals on the cartridge along with installation instructions. Seal kits are available in both Buna-N and Viton. Please note: Converting the external seals from one material to another does not ensure fluid compatibility with that material due to the existence of internal seals within the cartridge. See Seal Kit General Guidelines below for detailed information.



Technical Features

- ▮ The shelf life for a Viton cartridge seal kit is twenty years from date of purchase. This date will be printed in the kit package.

Technical Data

	U.S. Units	Metric Units
Cavity	T-3A	

Cartridge Installation Data

	U.S. Units	Metric Units
Cartridge Thread	1"-14 UNS	
Installation Torque	45 - 50 lbf ft	60 - 70 Nm
Valve Hex Size	1 1/8 in.	28,6 mm

Option Selection:

990-303-006

Related Information

[Seal Kit General Guidelines](#)

Instructions

- | Install back-up rings and O-rings as shown in views.
 - | When installing continuous back-up rings, use the same technique and the same care used to install O-rings.
 - | When installing cartridge - be sure to torque to recommended value.
 - | GLYD® Ring is a registered trademark of W. S. Shamban and Co., Los Angeles, CA, USA
-

Copyright © 2007-2008 Sun Hydraulics Corporation.
All rights reserved.

[Terms and Conditions](#) - [Statement of Privacy](#)