

# MP Series Hydraulic Multi-Coupling Plate



## Multi-Coupling Plate

The multi-coupling plate is a tool allowing the simultaneous couple and uncouple of a certain number of hydraulic and/or electrical lines. From a minimum of two to a maximum of ten lines can be simultaneously connected by a single, simple movement requiring very little force.

The energy lines can all have the same nominal diameter or each line can be different from the others according to the application. A special multi-coupling plate version provided with electrical connector can be supplied.

- Connects with residual pressure
- Mechanical connection eliminates brinelling effect
- Safety lock prevents unwanted disconnection
- Simple to use with a single movement applied by one arm only
- Ease of maintenance or replacement of quick couplings
- Cap and parking station available

### Overview

- Front end loaders
- Harvesting equipment
- Construction machinery
- Refrigeration
- Snow removal equipment
- Energy sector
- Any application requiring connection under residual pressure of multiple couplings

### Features

- Connect up to 25 MPa/ 3625 psi residual pressure
- Auto safety lock when connected
- Single hand operation
- Compact design
- Flat face couplers eliminate leakage
- Flat face couplers reduce contamination
- Guide mechanism eliminates cross connecting circuits



**< Cover Plate**

Heavy Duty Metal  
Dust Cover for Fixed Half



**< Mobile Half**

Flat Face Couplers: Easy to Clean, No Leakage

Guide Pins Eliminate Risk of Misaligned Circuit



**< Electrical Connector Option**

Corrosion Resistant Materials  
Patented Design

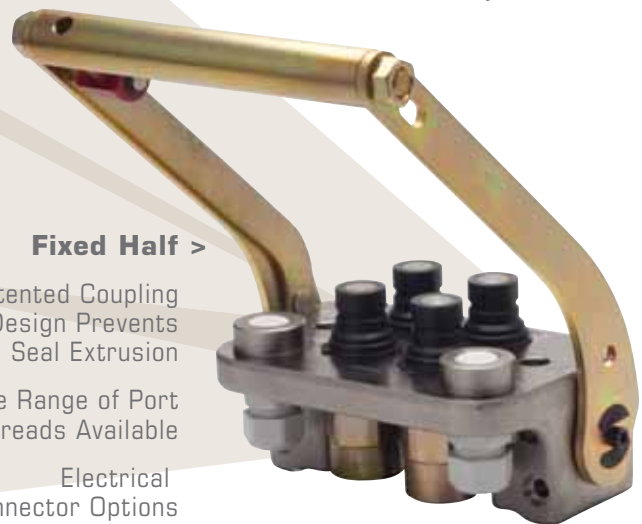
**Parking Station >**



**Cover Plate in Parking Station >**



**Mobile Half in Parking Station >**



**Fixed Half >**

Patented Coupling Design Prevents Seal Extrusion

Wide Range of Port Threads Available

Electrical Connector Options

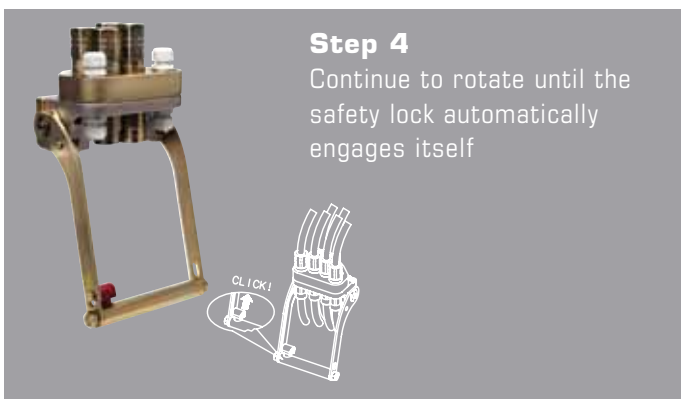
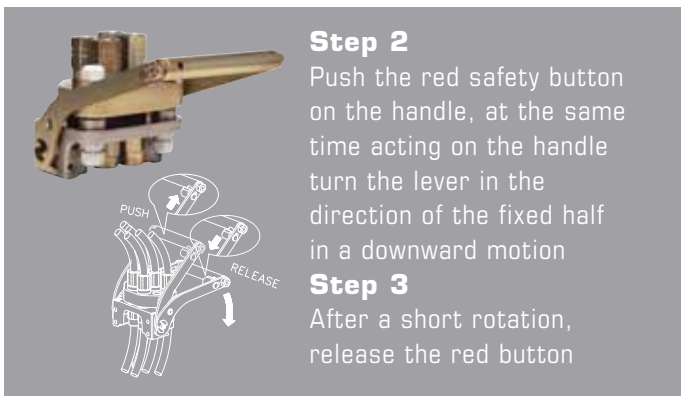
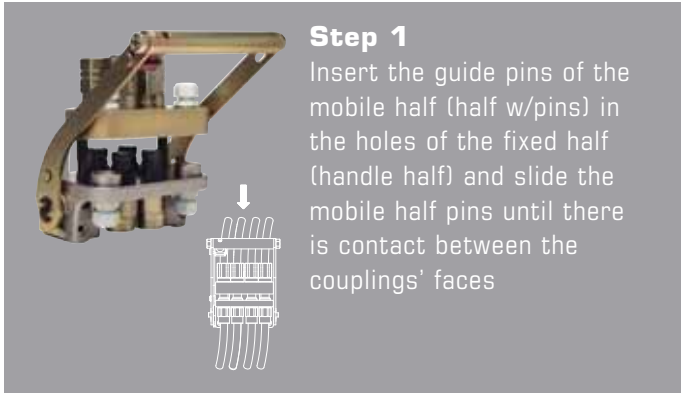
**The Stucchi Solution to Connecting Multiple Couplings Simultaneously**

1. Ergonomic lever for easy connect/disconnect with residual pressure
2. Patented coupling design to connect/disconnect multiple couplings with high residual pressure
3. Flat face couplers eliminate environmental issue of leakage
4. No risk of misalignment with guide pin design
5. Couplers mounted with snap rings for ease of installation or replacement
6. Fixed half male couplers interchangeable with ISO 16028 style flat face coupling
7. Electrical connector option for electronic control systems
8. Easily mounted on new equipment or retrofit on pre-existing system

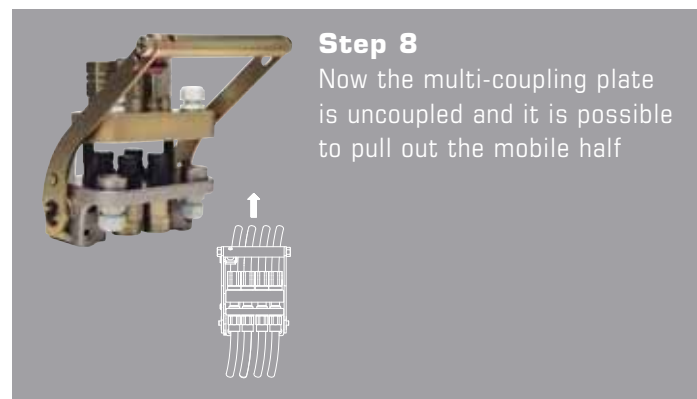
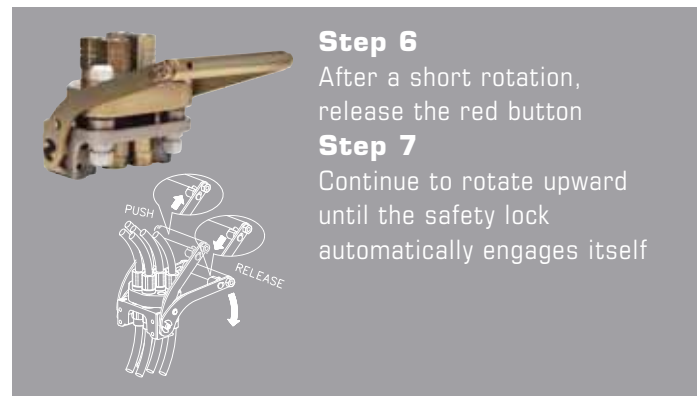
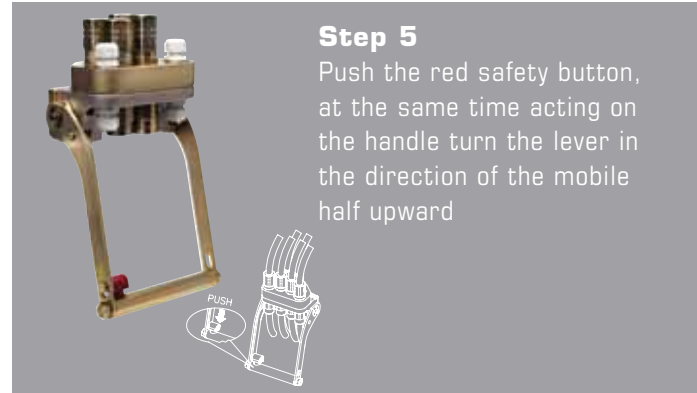
# Technical Characteristics & Instructions for Use

## GR Multi-Coupling Plate

### To Connect:



### To Disconnect:



### WARNING!

- Do not force the lever without pushing the red safety button
- Do not use extensions or other tools to ease the rotating of the lever
- Do not connect the fixed half with the mobile half if dirt or other material is between them
- When the multi-coupling is disconnected, it is suggested to use the dust cover for the fixed half and the parking station for the mobile half

# Order Code Structure GR Multi-Coupling Plate



ORDER CODE STRUCTURE						
43	04	08	08	04	C	27
SERIES NUMBER	NUMBER OF COUPLINGS	SIZE OF COUPLER	PORT SIZE	THREAD	SUFFIX	OPTIONAL NUMBER OF ELECTRICAL CONNECTIONS
<b>31</b> = GRB4 <b>32</b> = GRI4 <b>33</b> = GRT6 <b>41</b> = GRP6 <b>42</b> = GRM6 <b>43</b> = GRU6 <b>44</b> = GR5AA	<b>01</b> # OF COUPLINGS <b>02</b> # OF COUPLINGS <b>03</b> # OF COUPLINGS ETC.	<b>04</b> = 1/4 <b>06</b> = 3/8 <b>08</b> = 1/2 <b>12</b> = 3/4 <b>16</b> = 1 <b>20</b> = 1 1/4	<b>04</b> = 1/4 <b>06</b> = 3/8 <b>08</b> = 1/2 <b>12</b> = 3/4 <b>16</b> = 1 <b>20</b> = 1 1/4	<b>01</b> = NPT <b>04</b> = SAE	<b>FH</b> = FIX HALF <b>MH</b> = MOBILE HALF <b>C</b> = COMPLETE	<b>17</b> 1 ELECTRICAL CONNECTION Z PRONGS <b>27</b> 2 ELECTRICAL CONNECTION Z PRONGS



SERIES ORDER CODE PREFIX	COUPLER CODE # AND COUPLER SIZE MULTI-COUPLER PLATE SERIES MULTIPLE SIZE COUPLER	FAP 9 3/8	FAP 13 1/2	FAP 15 3/4	FAP 17 1	FAP 21 1 1/4
31	GRB4	2	2			
41	GRP6	1	1	1	2	
32	GRI4	2		1	1	
42	GRM6	2		2	2	
35	GRC6	3	1	1	1	
45	GRD5	3			1	1
33	GRT6	4	2			
43	GRU6	2	2		1	1
34	GRZ5		2	2		1
47	GR6AB		4		2	
51	GR5AA		2		3	
45	GRI4TB	2		2		
46	GRK3	1				2
48	GR6LL		2		4	
47	GRM6AL	2		4		
54	GRM6MC	2	2	2		
45	GRI4SB	2	1	1		
39	GR5-15			5		
33	GR6-9	6				
43	GR6-13		6			
34	GR10-9	10				
44	GR10-13		10			
56	GR7AA	4	1		2	
57	GR7AB	4	3			
58	GR8AA	7			1	

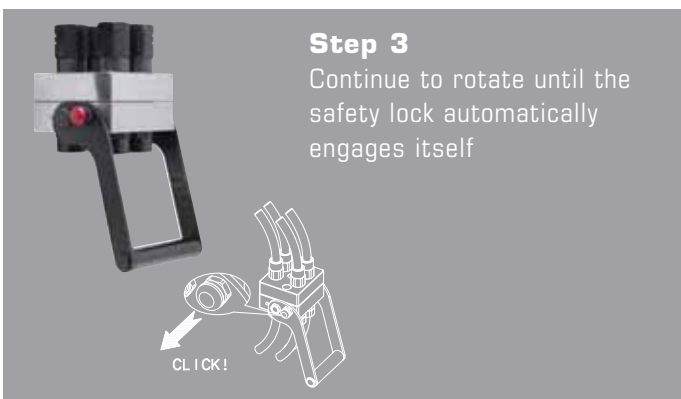
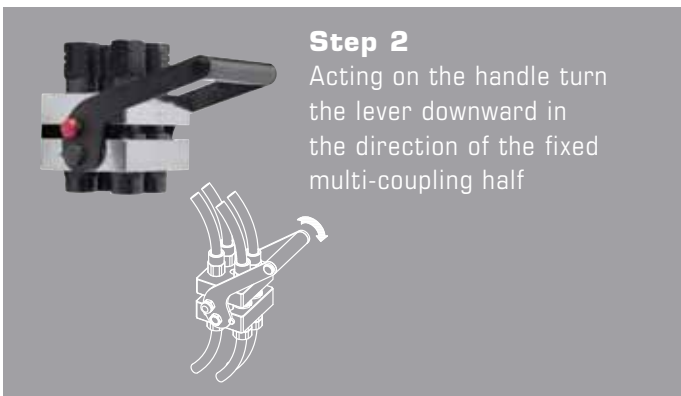
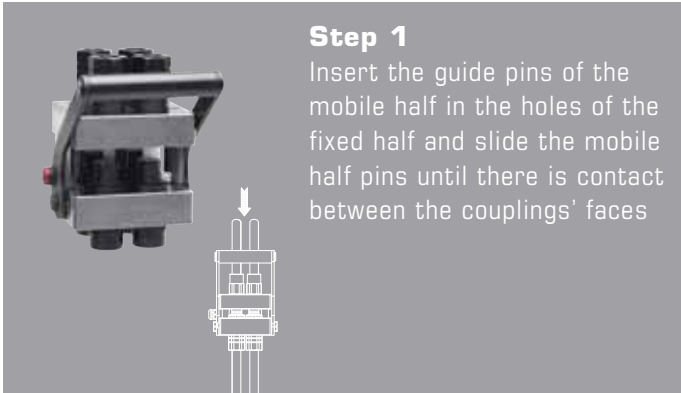
The above list consists of the most popular stock items. Standard plates offer a variety of hydraulic coupler and electrical connector combinations too broad to list in this brochure. Use the Stucchi ordering code system to create a coupling plate configuration for your application or contact a Stucchi representative to discuss your application and a solution.

**Notes:** Plate capacities listed are the maximum number of couplers per plate. All plates can be made with fewer couplers. Electrical connectors can be added to any plates using 3/8 or 1/2 inch port spaces. Consult Stucchi USA for specific applications.

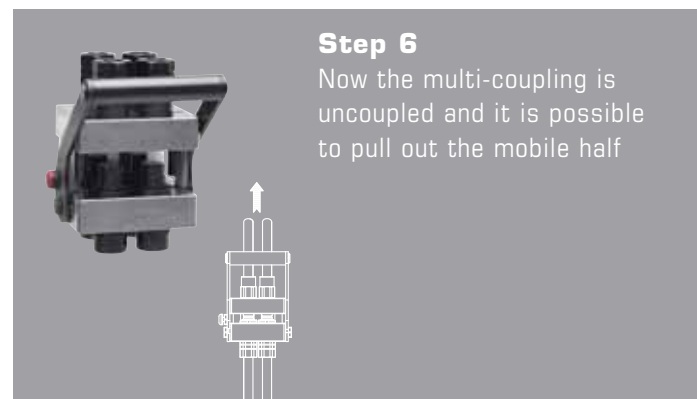
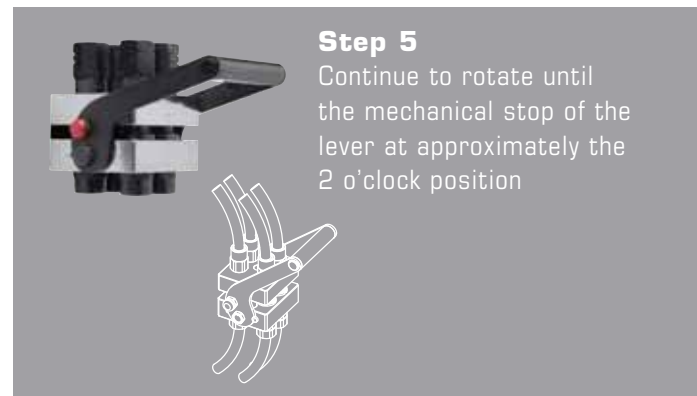
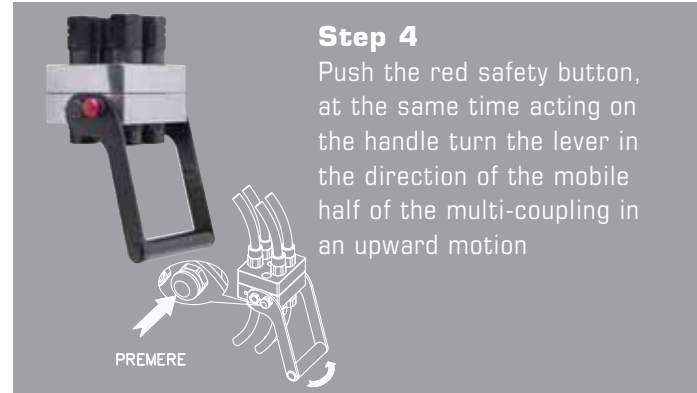
# Technical Characteristics & Instructions for Use

## DP Multi-Coupling Plate

### To Connect:



### To Disconnect:



### WARNING!

- Do not force the lever without pushing the red safety button
- Do not use extensions or other tools to ease the rotating of the lever
- Do not connect the fixed half with the mobile half if dirt or other material is between them
- When the multi-coupling is disconnected, it is suggested to use the dust cover for the fixed half and the parking station for the mobile half

# Order Code Structure DP Multi-Coupling Plate



ORDER CODE STRUCTURE						
42	02	08	08	01	C	27
SERIES NUMBER	NUMBER OF COUPLINGS	SIZE OF COUPLER	PORT SIZE	THREAD	SUFFIX	OPTIONAL
						NUMBER OF ELECTRICAL CONNECTIONS
<b>31</b> = DP2-9 <b>32</b> = DP4-9 <b>41</b> = DP2-13 <b>42</b> = DP4-13	<b>01</b> # OF COUPLINGS  <b>02</b> # OF COUPLINGS  <b>03</b> # OF COUPLINGS ETC.	<b>06</b> = 3/8 <b>08</b> = 1/2	<b>06</b> = 3/8 <b>08</b> = 1/2	<b>01</b> = NPT <b>04</b> = SAE	<b>FH</b> = FIX HALF <b>MH</b> = MOBILE HALF <b>C</b> = COMPLETE	<b>17</b> 1 ELECTRICAL CONNECTION Z PRONGS  <b>16</b> 1 ELECTRICAL CONNECTION 6 PRONGS  <b>27</b> 2 ELECTRICAL CONNECTION Z PRONGS



SERIES ORDER CODE PREFIX	COUPLER SIZE AND CODE NO. MULTI-COUPLER PLATE SERIES SAME SIZE COUPLER	FAP 9 3/8	FAP 13 1/2
31	DP2-9	2	0
41	DP2-13	0	2
32	DP4-9	4	0
42	DP4-13	0	4
35	DP3-9	3	0
45	DP3-13	0	3
36	DPJ-3	1	1

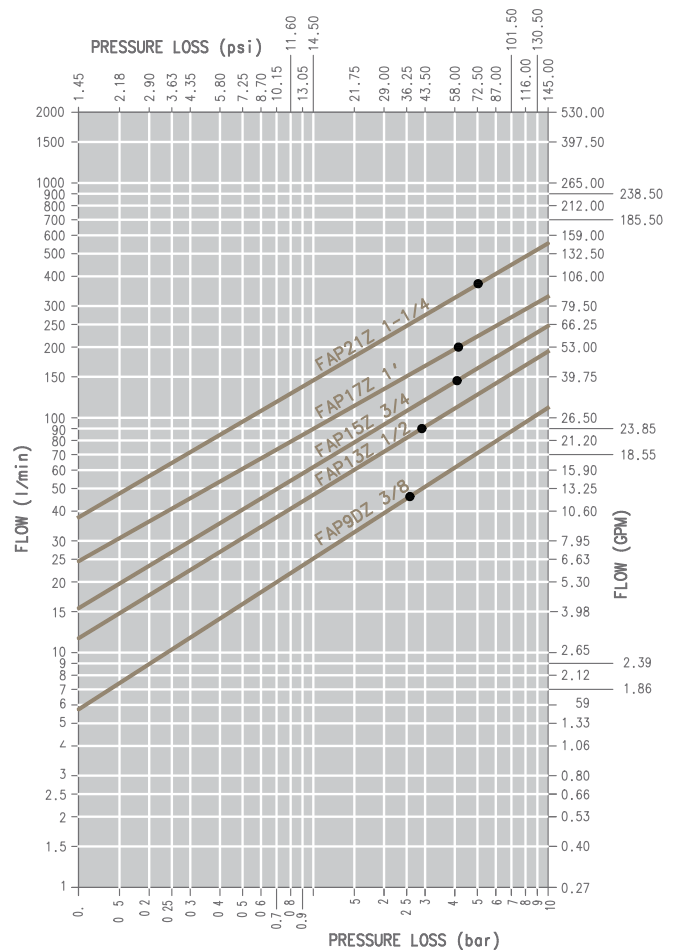
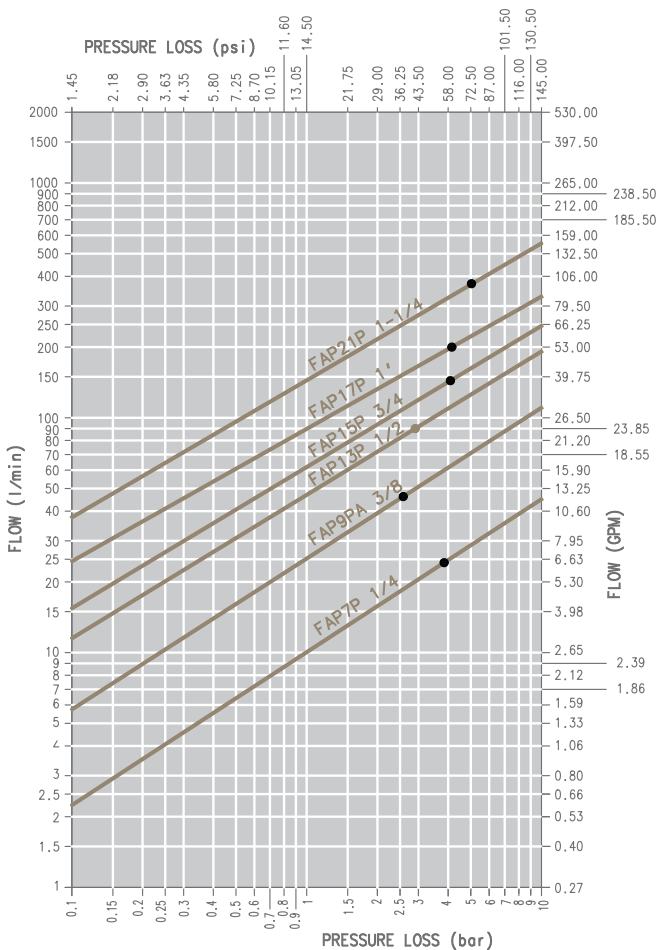
The above list consists of the most popular stock items. Standard plates offer a variety of hydraulic coupler and electrical connector combinations too broad to list in this brochure. Use the Stucchi ordering code system to create a coupling plate configuration for your application contact a Stucchi representative to discuss your application and a solution.

**Notes:** Plate capacities listed are the maximum number of couplers per plate. All plates can be made with fewer couplers. Electrical connectors can be added to any plates using 3/8 or 1/2 inch port spaces. Consult Stucchi USA for specific applications.

# MP Series Hydraulic Multi-Coupling Plate

DESCRIPTION	SIZE	MAX. OPERATING PRESSURE COUPLED		BURST PRESSURE						MAX. RESIDUAL PRESSURE DURING CONNECTION		SPILLAGE*
				COUPLED		MALE		FEMALE				
		MPa	psi	MPa	psi	MPa	psi	MPa	psi	MPa	psi	
<b>FAP</b>												
FAP7	1/4	42	690	126	18270	126	18270	126	18270	30	4350	0.010
FAP9	3/8	35	5075	120	17400	120	17400	100	14500	25	3625	0.012
FAP13	1/2	33	4785	120	17400	120	17400	100	14500	25	3625	0.020
FAP15	3/4	33	4785	120	17400	120	17400	100	14500	25	3625	0.110
FAP17	1	33	4785	120	17400	120	17400	100	14500	25	3625	0.032
FAP21	1 1/4	30	4350	100	14500	100	14500	80	11600	25	3625	0.035
<b>FAP Z</b>												
FAP9Z	3/8	35	5075	120	17400	120	17400	100	14500	25	3625	0.012
FAP13Z	1/2	33	4785	120	17400	120	17400	100	14500	25	3625	0.020
FAP15Z	3/4	33	4785	120	17400	120	17400	100	14500	25	3625	0.110
FAP17Z	1	33	4785	120	17400	120	17400	100	14500	25	3625	0.032
FAP21Z	1 1/4	30	4350	100	14500	100	14500	80	11600	25	3625	0.035

\* SPILLAGE IS AN INDICATIVE VALUE OF THE FLUID LOSS PER COUPLE-UNCUPLE CYCLE







### FAP NPT and SAE Thread Replacement Couplers

PART	BODY SIZE	PORT SIZE	THREAD TYPE	ORDER CODE	PART DESCRIPTION
<b>FAP NPT THREAD</b>					
COUPLER	3/8	1/2	NPT	805001050	F. FAP9PA 1/2 NPT
NIPPLE	3/8	1/2	NPT	805001051	M. FAP9PA 1/2 NPT
COUPLER	3/8	3/8	NPT	805001052	F. FAP9PA 3/8 NPT
NIPPLE	3/8	3/8	NPT	805001053	M. FAP9PA 3/8 NPT
COUPLER	3/8	3/8	NPT	805001074	F. FAP9PD 3/8 NPT
NIPPLE	3/8	3/8	NPT	805001075	M. FAP9PD 3/8 NPT
COUPLER	3/8	1/2	NPT	805001076	F. FAP9PD 1/2 NPT
NIPPLE	3/8	1/2	NPT	805001077	M. FAP9PD 1/2 NPT
COUPLER	1/2	1/2	NPT	805001056	F. FAP13P 1/2 NPT
NIPPLE	1/2	1/2	NPT	805001057	M. FAP13P 1/2 NPT
COUPLER	1/2	3/4	NPT	805001058	F. FAP13P 3/4 NPT
NIPPLE	1/2	3/4	NPT	805001059	M. FAP13P 3/4 NPT
COUPLER	3/4	3/4	NPT	805001078	F. FAP15P 3/4 NPT
NIPPLE	3/4	3/4	NPT	805001079	M. FAP15P 3/4 NPT
COUPLER	1	1	NPT	805001082	F. FAP17P 1 NPT
NIPPLE	1	1	NPT	805001083	M. FAP17P 1 NPT
COUPLER	1 1/4	1 1/4	NPT	805001084	F. FAP21P 114 NPT
NIPPLE	1 1/4	1 1/4	NPT	805001085	M. FAP21P 114 NPT
<b>FAP SAE THREAD</b>					
COUPLER	3/8	1/2	SAE	805004020	F. FAP9PD 1/2 SAE
NIPPLE	3/8	1/2	SAE	805004021	M. FAP9PD 1/2 SAE
COUPLER	3/8	1/2	SAE	805004012	F. FAP9PA 1/2 SAE
NIPPLE	3/8	1/2	SAE	805004013	M. FAP9PA 1/2 SAE
COUPLER	1/2	1/2	SAE	805004004	F. FAP13P 1/2 SAE
NIPPLE	1/2	1/2	SAE	805004005	M. FAP13P 1/2 SAE
COUPLER	1/2	3/4	SAE	805004058	F. FAP13P 3/4 SAE
NIPPLE	1/2	3/4	SAE	805004059	M. FAP13P 3/4 SAE
COUPLER	1/2	5/8	SAE	805004005	F. FAP13P 5/8 SAE
NIPPLE	1/2	5/8	SAE	805004007	M. FAP13P 5/8 SAE
COUPLER	3/4	3/4	SAE	805004078	F. FAP15P 3/4 SAE
NIPPLE	3/4	3/4	SAE	805004079	M. FAP15P 3/4 SAE
COUPLER	1	1	SAE	805004082	F. FAP17P 1 SAE
NIPPLE	1	1	SAE	805004083	M. FAP17P 1 SAE
COUPLER	1 1/4	1 1/4	SAE	805004084	F. FAP21P 114 SAE
NIPPLE	1 1/4	1 1/4	SAE	805004085	M. FAP21P 114 SAE



COUPLER



NIPPLE



# MP Series Hydraulic Multi-Coupling Plate

## FAP Z NPT and SAE Thread Replacement Couplers

PART	BODY SIZE	PORT SIZE	THREAD TYPE	ORDER CODE	PART DESCRIPTION
<b>FAP Z NPT THREAD</b>					
COUPLER	3/8	3/8	NPT	808201002	F. FAP9AZ 3/8 NPT
NIPPLE	3/8	3/8	NPT	808201003	M. FAP9AZ 3/8 NPT
COUPLER	3/8	3/8	NPT	808201004	F. FAP9DZ 3/8 NPT
NIPPLE	3/8	3/8	NPT	808201005	M. FAP9DZ 3/8 NPT
COUPLER	1/2	1/2	NPT	808201010	F. FAP13Z 1/2 NPT
NIPPLE	1/2	1/2	NPT	808201011	M. FAP13Z 1/2 NPT
COUPLER	3/4	3/4	NPT	808201014	F. FAP15Z 3/4 NPT
NIPPLE	3/4	3/4	NPT	808201015	M. FAP15Z 3/4 NPT
COUPLER	1	1	NPT	808201016	F. FAP17Z 1 NPT
NIPPLE	1	1	NPT	808201017	M. FAP17Z 1 NPT
COUPLER	1 1/4	1 1/4	NPT	808201018	F. FAP21Z 1 1/4 NPT
NIPPLE	1 1/4	1 1/4	NPT	808201019	M. FAP21Z 1 1/4 NPT
<b>FAP Z SAE THREAD</b>					
COUPLER	3/8	1/2	SAE	808204004	F. FAP9DZ 1/2 SAE
NIPPLE	3/8	1/2	SAE	808204005	M. FAP9AZ 1/2 SAE
COUPLER	3/8	3/8	SAE	808204024	F. FAP9AZ 3/8 SAE
NIPPLE	3/8	3/8	SAE	808204025	M. FAP9AZ 3/8 SAE
COUPLER	3/8	3/8	SAE	808204026	F. FAP9DZ 3/8 SAE
NIPPLE	3/8	3/8	SAE	808204027	M. FAP9DZ 3/8 SAE
COUPLER	1/2	1/2	SAE	808204028	F. FAP13Z 1/2 SAE
NIPPLE	1/2	1/2	SAE	808204029	M. FAP13Z 1/2 SAE
COUPLER	1/2	3/4	SAE	808204012	F. FAP13Z 3/4 SAE
NIPPLE	1/2	3/4	SAE	808204013	M. FAP13Z 3/4 SAE
COUPLER	3/4	3/4	SAE	808204014	F. FAP15Z 3/4 SAE
NIPPLE	3/4	3/4	SAE	808204015	M. FAP15Z 3/4 SAE
COUPLER	1	1	SAE	808204016	F. FAP17Z 1 SAE
NIPPLE	1	1	SAE	808204017	M. FAP17Z 1 SAE
COUPLER	1 1/4	1 1/4	SAE	808204018	F. FAP21Z 1 1/4 SAE
NIPPLE	1 1/4	1 1/4	SAE	808204019	M. FAP21Z 1 1/4 SAE



COUPLER



NIPPLE

## Parking Stations

ORDER CODE	DESCRIPTION
815606009	PARKING STATION GR3-9
815606001	PARKING STATION GR6-9
815606003	PARKING STATION GR6-13
815606025	PARKING STATION GR10-13
815606029	PARKING STATION DP2-9
815606039	PARKING STATION DP4-9
815606037	PARKING STATION DP2-13
815606041	PARKING STATION DP4-13
815606013	PARKING STATION GR10-9

