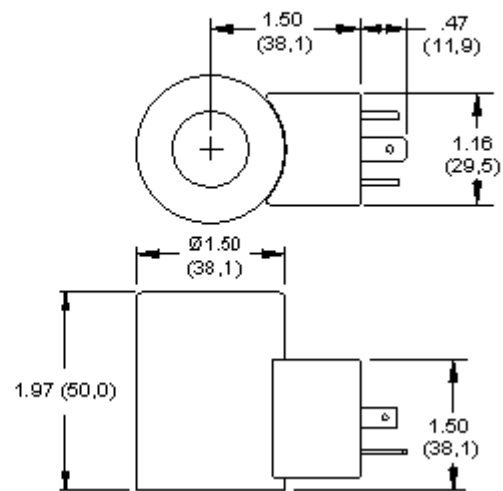
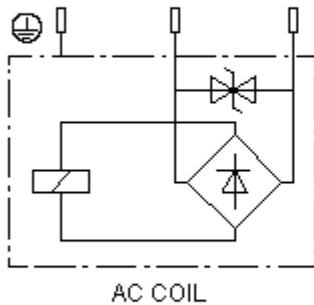
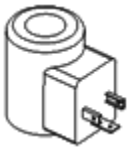


115 VAC 50/60 Hz coil with ISO/DIN 43650, Form A connector

Model:
770-211



in (mm)

Technical Features

- Coil windings utilize Class N, (392° F [200 °C] rated) magnet wire.
- Power cable with mating connector is required and is not included with product.
- This coil is CE compliant. It meets the requirements of the Low Voltage Directive (2006/95/EC) and EN 60204-1:2006.
- RoHS compliant. Restricted materials less than 0.1% total by weight.
- A TVS surge suppression diode is built into DC coils. Nominal breakdown voltage; 250V. Model code 1.5 KE250CA. Steady state power dissipation @ 75°C is 6.5 W and peak pulse dissipation is 1500 W for 1 ms, nonrepetitive.
- Alternating current (AC) coils are DC coils that contain an integral full wave rectifier, model code 2W10G, molded into the coil. Because of this, there is no pull-in current and coils don't burn out if something prevents the valve from shifting.
- IP rating is dependent on the coil connector and the mating connector used.

Technical Data

	U.S. Units	Metric Units
Arc Suppression		Standard
Maximum Ambient Temperature	122 °F	50 °C
Maximum Coil Temperature at 68°F (20°C) Ambient		218°F (105°C)
Operating Voltage Range		+/- 10% nominal

Power Consumption (cold) - at rated voltage	22 watts	
Voltage/Frequency	115 VAC 50/60 Hz	
Connector Environment Rating	IP65/IP67	
Duty cycle Rating	100 %	
Connector	ISO/DIN 43650A, Form A	
Solenoid Tube Diameter	.75 in.	19 mm
Coil Nut Torque	4.5 lbf in.	0,5 Nm
Model Weight	0.55 lb.	0.25 kg.

770-211

U.S. Dollar ▼

Recommended List Price
Shipping and Discount Terms

What models can this kit be used on? (Click Here)

DTCAS	DBAL	HDDA	DBALS	DNDC	DNDY	DLDA	DWDA
DAAL	DLDA	DMDAZ	DNDA	DNDYS	DLDAZ	DNCAZ	DNDAS
HDDAS	DNCA	DTDA	DAALS	DMDA	DLDXS	DTCAZ	DLDX
DTDAS	DTCA	DMDAS					

Related Information

Environmental Test Specification, S-367 in pdf format

Instructions/Notes

- No Special Notes Available for selected model.