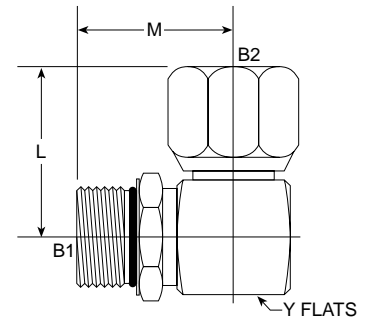


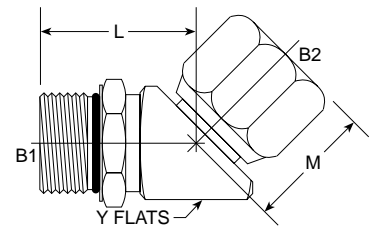
Tube Fittings & Adapters

MAORB-FJS 90° 6809-NWO Series



PART NO. SIZE	PORT O.D.	B1 THREAD	B2 THREAD	L LGTH	M.M.	M LGTH	M.M.	Y FLATS	Y FLATS	M.M.	Standard Material From Stock			
											S	FG	SS	B
6809-04-04-NWO	1/4	7/16-20	7/16-20	1.038	26.35	1.000	25.40	1/2	0.500	12.70	•	•		•
6809-06-04-NWO	3/8	9/16-18	7/16-20	1.123	28.51	1.250	31.75	5/8	0.625	15.88	•	•		
6809-06-06-NWO	3/8	9/16-18	9/16-18	1.250	31.75	1.250	31.75	5/8	0.625	15.88	•	•		•
6809-08-06-NWO	1/2	3/4-16	9/16-18	1.310	33.27	1.460	37.08	13/16	0.812	20.62	•	•		
6809-08-08-NWO	1/2	3/4-16	3/4-16	1.390	35.31	1.450	36.83	13/16	0.812	20.62	•	•	•	
NEW 6809-08-12-NWO											•			
6809-10-10-NWO	5/8	7/8-14	7/8-14	1.600	40.64	1.700	43.18	15/16	0.937	23.80	•	•	•	
6809-12-10-NWO	3/4	1 1/16-12	7/8-14	1.710	43.43	1.940	49.28	1 1/8	1.125	28.58	•			
6809-12-12-NWO	3/4	1 1/16-12	1 1/16-12	1.740	44.20	1.940	49.28	1 1/8	1.125	28.58	•	•		
6809-16-16-NWO	1	1 5/16-12	1 5/16-12	2.010	51.05	2.040	51.82	1 3/8	1.375	34.93	•	•		
6809-20-20-NWO	1 1/4	1 5/8-12	1 5/8-12	2.300	58.42	2.260	57.40	1 3/4	1.750	44.45	•		•	

MAORB-FJS 45° 6810-NWO Series



PART NO. SIZE	PORT O.D.	B1 THREAD	B2 THREAD	L LGTH	M.M.	M LGTH	M.M.	Y FLATS	Y FLATS	M.M.	Standard Material From Stock			
											S	FG	SS	B
6810-04-04-NWO	1/4	7/16-20	7/16-20	1.050	26.67	0.890	22.61	1/2	0.500	12.70	•			
6810-06-06-NWO	3/8	9/16-18	9/16-18	1.060	26.92	1.150	29.21	7/8	0.875	22.23	•			
6810-08-08-NWO	1/2	3/4-16	3/4-16	1.230	31.24	1.260	32.00	13/16	0.812	20.62	•			
6810-12-12-NWO	3/4	1 1/16-12	1 1/16-12	1.740	44.20	1.450	36.83	1 1/8	1.125	28.58	•			