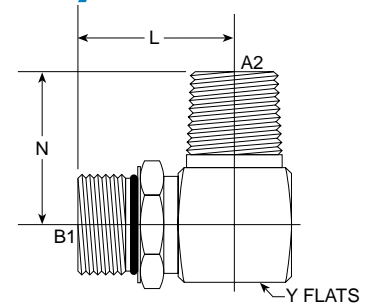


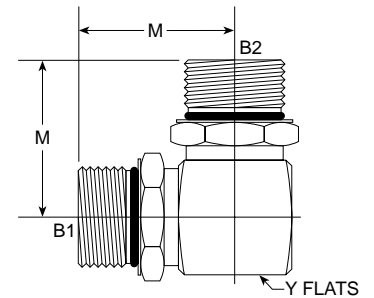
# Tube Fittings & Adapters

## MAORB-MP 90° 6806-NWO Series



PART NO. SIZE	PORT O.D.	B1 THREAD	A2 THREAD	L LGTH	M.M.	N LGTH	M.M.	Y FLATS	Y FLATS	M.M.	Standard Material From Stock			
											S	FG	SS	B
6806-04-02-NWO	1/4	7/16-20	1/8-27	1.030	26.16	0.780	19.81	1/2	0.500	12.70	•			
6806-04-04-NWO	1/4	7/16-20	1/4-18	1.090	27.69	1.090	27.69	5/8	0.625	15.88	•	•	•	
6806-05-02-NWO	5/16	1/2-20	1/8-27	1.090	27.69	0.780	19.81	9/16	0.562	14.27	•			
6806-06-04-NWO	3/8	9/16-18	1/4-18	1.250	31.75	1.090	27.69	5/8	0.625	15.88	•	•	•	
6806-06-06-NWO	3/8	9/16-18	3/8-18	1.350	34.29	1.220	30.99	13/16	0.812	20.62	•	•	•	
6806-08-06-NWO	1/2	3/4-16	3/8-18	1.450	36.83	1.220	30.99	13/16	0.812	20.62	•	•	•	
6806-08-08-NWO	1/2	3/4-16	1/2-14	1.520	38.61	1.470	37.34	15/16	0.937	23.80	•	•	•	
6806-10-08-NWO	5/8	7/8-14	1/2-14	1.700	43.18	1.470	37.34	15/16	0.937	23.80	•		•	
6806-12-12-NWO	3/4	1 1/16-12	3/4-14	1.940	49.28	1.590	40.39	1 1/8	1.125	28.58	•		•	
6806-12-16-NWO	3/4	1 1/16-12	1-11 1/2	2.060	52.32	1.960	49.78	1 3/8	1.375	34.93	•			
6806-14-12-NWO	7/8	1 3/16-12	3/4-14	2.000	50.80	1.690	42.93	1 1/4	1.250	31.75	•			
6806-16-12-NWO	1	1 5/16-12	3/4-14	2.040	51.82	1.700	43.18	1 3/8	1.375	34.93	•			
6806-16-16-NWO	1	1 5/16-12	1-11 1/2	2.050	52.07	1.970	50.04	1 3/8	1.375	34.93	•	•		
6806-20-20-NWO	1 1/4	1 5/8-12	1 1/4-11 1/2	2.250	57.15	2.380	60.45	1 3/4	1.750	44.45	•			
6806-24-24-NWO	1 1/2	1 7/8-12	1 1/2-11 1/2	2.390	60.71	2.640	67.06	2	2.000	50.80	•	•		
6806-32-32-NWO	2	2 1/2-12	2-11 1/2	2.890	73.41	3.000	76.20	2 5/8	2.625	66.68	•	•		

## MAORB-MAORB 90° 6807-NWO Series



PART NO. SIZE	PORT O.D.	B1 THREAD	B2 THREAD	M LGTH	M.M.	Y FLATS	Y FLATS	M.M.	Standard Material From Stock			
									S	FG	SS	B
6807-04-04-NWO	1/4	7/16-20	7/16-20	1.090	27.69	5/8	0.625	15.88	•	•	•	
6807-06-06-NWO	3/8	9/16-18	9/16-18	1.220	30.99	13/16	0.937	23.80	•	•	•	
6807-08-08-NWO	1/2	3/4-16	3/4-16	1.470	37.34	15/16	0.937	23.80	•	•	•	
6807-10-08-NWO	5/8	7/8-14	3/4-16	1.512	38.40	15/16	0.937	23.81	•	•	•	
6807-10-10-NWO	5/8	7/8-14	7/8-14	1.470	37.34	15/16	0.937	23.80	•	•	•	
6807-12-12-NWO	3/4	1 1/16-12	1 1/16-12	1.590	40.39	1 1/8	1.125	28.58	•	•	•	
6807-16-16-NWO	1	1 5/16-12	1 5/16-12	1.970	50.04	1 3/8	1.375	34.93	•	•	•	
6807-20-20-NWO	1 1/4	1 5/8-12	1 5/8-12	2.380	60.45	1 3/4	1.750	44.45	•	•	•	
6807-24-24-NWO	1 1/2	1 7/8-12	1 7/8-12	2.640	67.06	2	2.000	50.80	•	•	•	