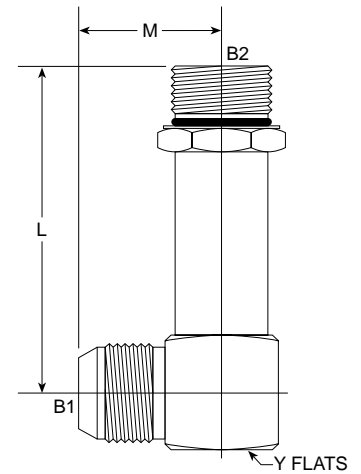
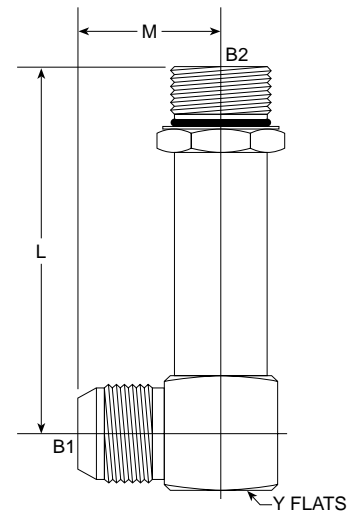


MJ-MAORB 90° X-Long 6801-LL-NWO Series



PART NO. SIZE	TUBE O.D.	B1 SAE 37	B2 SAE ORB	L LGTH	M.M.	M LGTH	M.M.	Y FLATS	Y FLATS	M.M.	Standard Material From Stock			
											S	FG	SS	B
6801-LL-04-04-NWO	1/4	7/16-20	7/16-20	1.830	46.48	0.890	22.61	1/2	0.500	12.70	•	•		
6801-LL-06-06-NWO	3/8	9/16-18	9/16-18	2.080	52.83	1.060	26.92	5/8	0.625	15.88	•	•	•	
6801-LL-06-08-NWO	3/8	9/16-18	3/4-16	2.490	63.25	1.140	28.96	13/16	0.812	20.62	•	•		
6801-LL-08-06-NWO	1/2	3/4-16	9/16-18	2.180	55.37	1.250	31.75	13/16	0.812	20.62	•	•		
6801-LL-08-08-NWO	1/2	3/4-16	3/4-16	2.490	63.25	1.250	31.75	13/16	0.812	20.62	•	•	•	
6801-LL-08-10-NWO	1/2	3/4-16	7/8-14	3.230	82.04	1.330	33.78	15/16	0.937	23.80	•			
6801-LL-10-08-NWO	5/8	7/8-14	3/4-16	2.560	65.02	1.450	36.83	15/16	0.937	23.82	•			
6801-LL-10-10-NWO	5/8	7/8-14	7/8-14	3.230	82.04	1.450	36.83	15/16	0.937	23.80	•	•	•	
6801-LL-12-12-NWO	3/4	1 1/16-12	1 1/16-12	3.340	84.84	1.660	42.16	1 1/8	1.125	28.58	•	•	•	
6801-LL-12-16-NWO	3/4	1 1/16-12	1 5/16-12	3.720	94.49	1.780	45.21	1 3/8	1.375	34.93	•			
6801-LL-14-14-NWO	7/8	1 3/16-12	1 3/16-12	3.570	90.68	1.770	44.96	1 1/4	1.250	31.75	•			
6801-LL-16-12-NWO	1	1 5/16-12	1 1/16-12	3.460	87.88	1.810	45.97	1 3/8	1.375	34.92	•			
6801-LL-16-16-NWO	1	1 5/16-12	1 5/16-12	3.710	94.23	1.810	45.97	1 3/8	1.375	34.93	•	•	•	
6801-LL-20-20-NWO	1 1/4	1 5/8-12	1 5/8-12	4.400	111.76	2.060	52.32	1 3/4	1.750	44.45	•			

MJ-MAORB 90° XX-Long 6801-LLL-NWO Series



PART NO. SIZE	TUBE O.D.	B1 SAE 37	B2 SAE ORB	L LGTH	M.M.	M LGTH	M.M.	Y FLATS	Y FLATS	M.M.	Standard Material From Stock			
											S	FG	SS	B
6801-LLL-06-06-NWO	3/8	9/16-18	9/16-18	3.070	77.98	1.060	26.92	5/8	0.625	15.88	•			
6801-LLL-06-08-NWO	6/16	9/16-18	3/4-16	3.570	90.68	1.140	28.96	3/4	0.750	19.05		•		
6801-LLL-08-08-NWO	1/2	3/4-16	3/4-16	3.570	90.69	1.250	31.75	7/8	0.875	22.22	•	•		
6801-LLL-16-16-NWO	1	1 5/16-12	1 5/8-12	5.200	132.08	1.810	45.97	1 3/8	1.375	34.92	•			