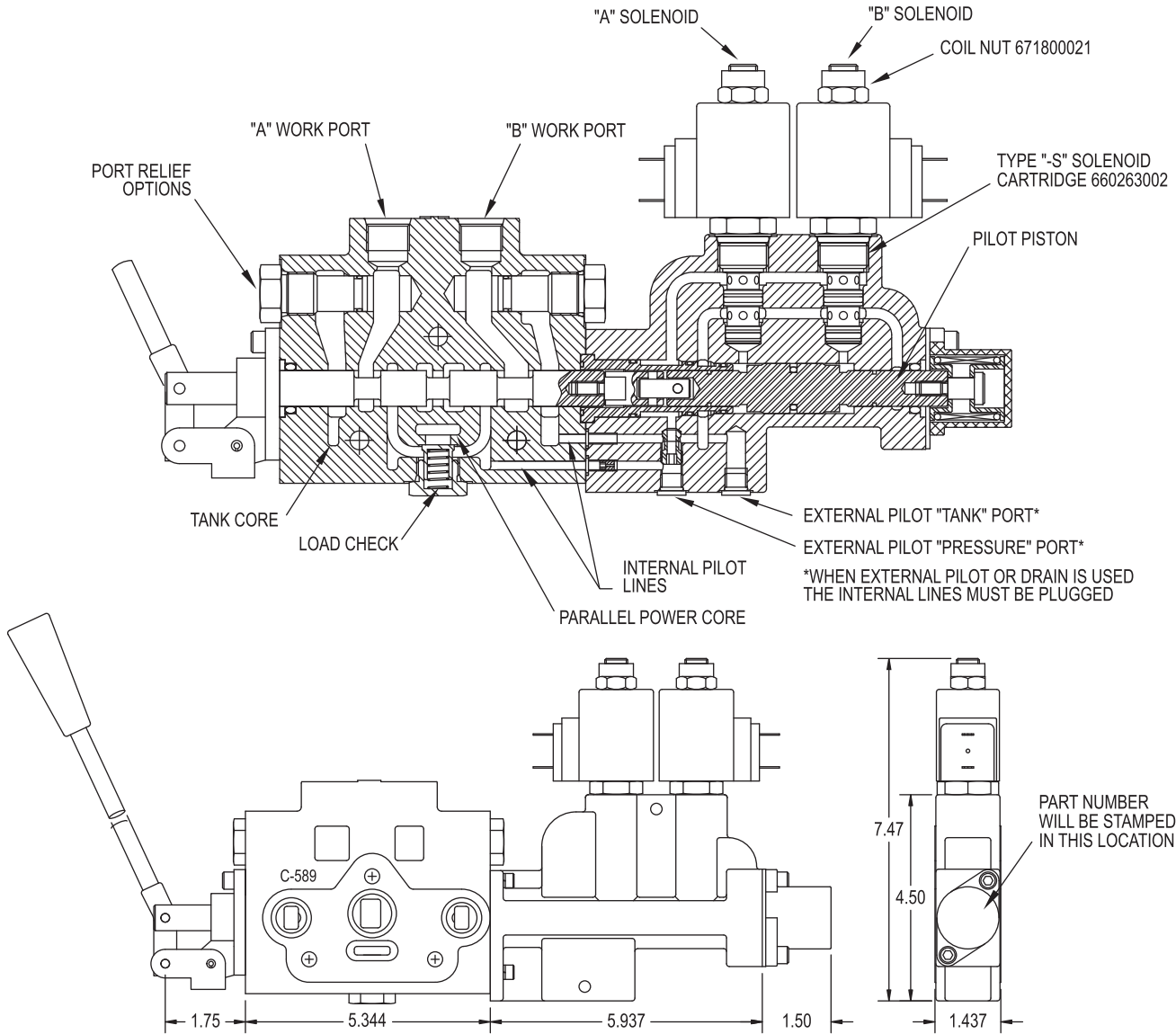


SOLENOID AND MANUAL OPERATED WORK SECTION TYPE "-S" DIMENSIONAL DATA



TYPE "-S" SEAL KIT 660580005
SOLENOID CARTRIDGES SEAL KIT 660590008

NOTE: THIS OPTION CANNOT BE
ADDED IN THE FIELD

NOTE: For additional dimensional data on inlet and outlet sections, valve assemblies, etc. please refer SV information in this catalog.

SOLENOID COILS - ALL SOLENOID OPERATED SPOOLS

COIL PART NUMBERS

671302002 12 VDC H TYPE COIL DIN 43650
671302003 12 VDC L TYPE COIL DOUBLE WIRE
671322004 12 VDC Q TYPE COIL DOUBLE SPADE
671302013 12 VDC W TYPE COIL WEATHER PACK®
671302006 24 VDC H TYPE COIL DIN 43650
671302007 24 VDC L TYPE COIL DOUBLE WIRE
671322008 24 VDC Q TYPE COIL DOUBLE SPADE
671302009 120 VAC C TYPE COIL CONDUIT
671302010 120 VAC H TYPE COIL DIN 43650

COIL SPECIFICATIONS

DUTY RATINGCONTINUOUS AT 100% VOLTAGE
INGRESS PROTECTION RATING IP65
WATTAGE20 WATTS
STABILIZED TEMPERATURE 217°F WITH 77°F AMBIENT
AMP DRAW AT 77°

12VOLT 1.70 AMPS
24 VOLT83 AMPS
120 VOLT..... .18 AMPS

LEAD WIRE LENGTH 18 GAUGE 12" LONG

AC COILS ARE INTERNALLY RECTIFIED WITH A FULL WAVE
BRIDGE (NO IN RUSH CURRENT).

DIN STYLE COILS ARE DIN 43650 TYPE A.

USE WEATHER PACK® TYPE COILS WITH MALE PACKARD CONNECTOR #12015792
"WEATHER PACK CONNECTORS".