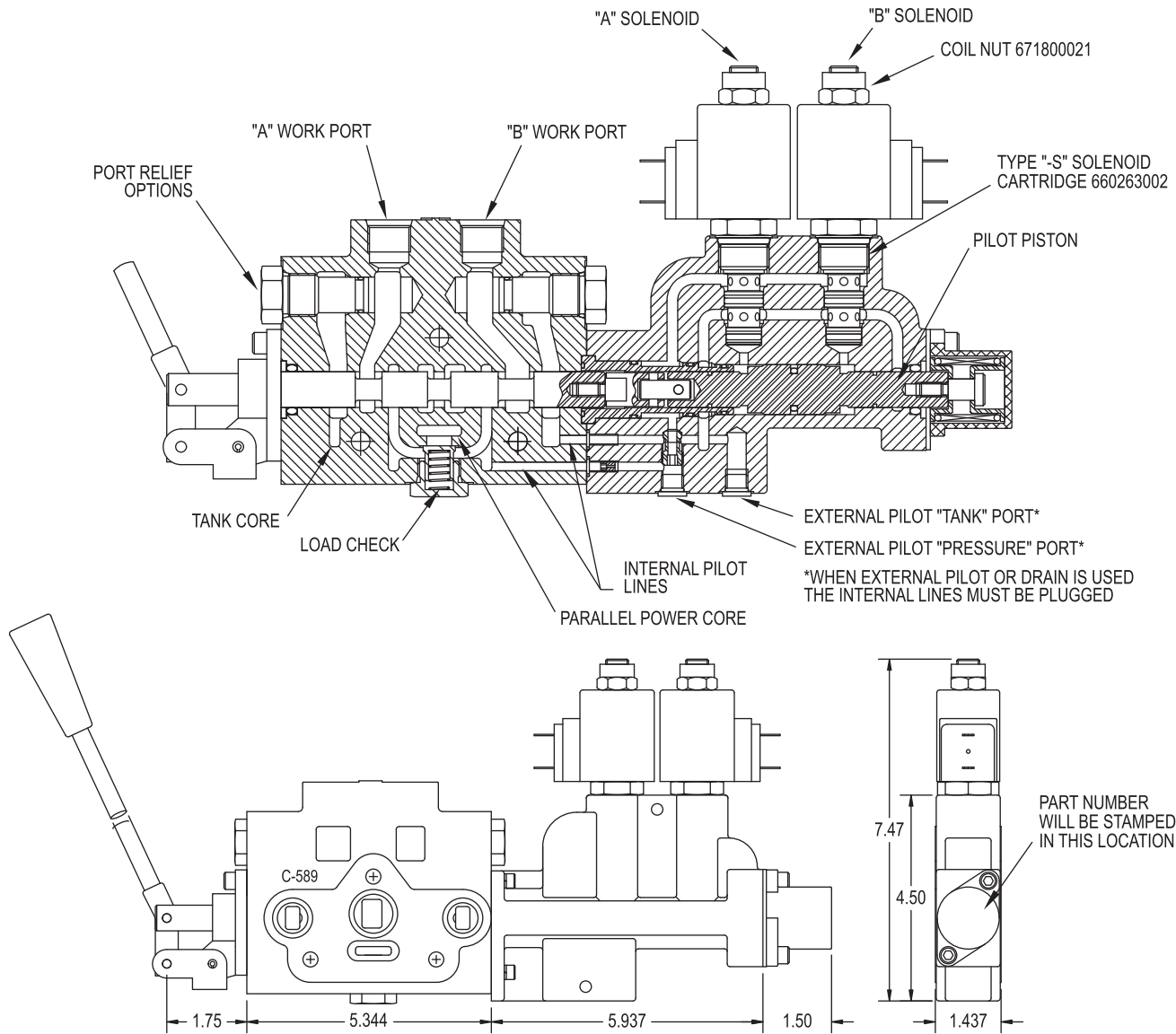


# SOLENOID AND MANUAL OPERATED WORK SECTION TYPE "-S" DIMENSIONAL DATA



TYPE "-S" SEAL KIT 660580005  
SOLENOID CARTRIDGES SEAL KIT 660590008

NOTE: THIS OPTION CANNOT BE  
ADDED IN THE FIELD

NOTE: For additional dimensional data on inlet and outlet sections, valve assemblies, etc. please refer SV information in this catalog.

## SOLENOID COILS - ALL SOLENOID OPERATED SPOOLS

### COIL PART NUMBERS

671302002 12 VDC H TYPE COIL DIN 43650  
671302003 12 VDC L TYPE COIL DOUBLE WIRE  
671322004 12 VDC Q TYPE COIL DOUBLE SPADE  
671302013 12 VDC W TYPE COIL WEATHER PACK®  
671302006 24 VDC H TYPE COIL DIN 43650  
671302007 24 VDC L TYPE COIL DOUBLE WIRE  
671322008 24 VDC Q TYPE COIL DOUBLE SPADE  
671302009 120 VAC C TYPE COIL CONDUIT  
671302010 120 VAC H TYPE COIL DIN 43650

### COIL SPECIFICATIONS

DUTY RATING .....CONTINUOUS AT 100% VOLTAGE  
INGRESS PROTECTION RATING ..... IP65  
WATTAGE .....20 WATTS  
STABILIZED TEMPERATURE 217°F WITH 77°F AMBIENT  
AMP DRAW AT 77°

12VOLT ..... 1.70 AMPS  
24 VOLT ..... .83 AMPS  
120 VOLT..... .18 AMPS

LEAD WIRE LENGTH ..... 18 GAUGE 12" LONG  
AC COILS ARE INTERNALLY RECTIFIED WITH A FULL WAVE  
BRIDGE (NO IN RUSH CURRENT).

DIN STYLE COILS ARE DIN 43650 TYPE A.

USE WEATHER PACK® TYPE COILS WITH MALE PACKARD CONNECTOR #12015792  
"WEATHER PACK CONNECTORS".