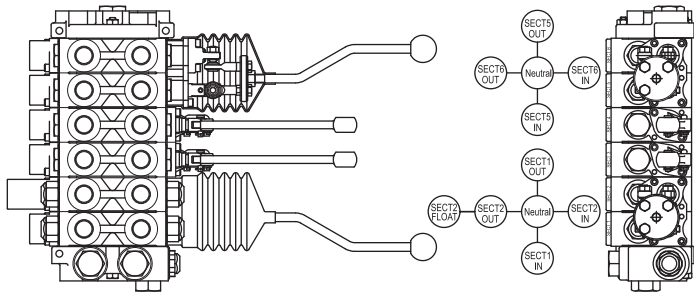


JOYSTICK HANDLES FOR SERIES "20"



This is a special handle for the SERIES 20 stack valve that allows the spools of two adjacent sections to be operated by one common handle. The spools can be operated independently or simultaneously depending on handle movement. The option is typically used on spring center to neutral sections. Normally, the handle is installed at the factory on sections ordered with handle option 7. However, the handle can also be installed in the field on valves originally equipped with standard handles (handle options 1 through 4). This drawing shows two joysticks with offset handles installed on a six section valve.

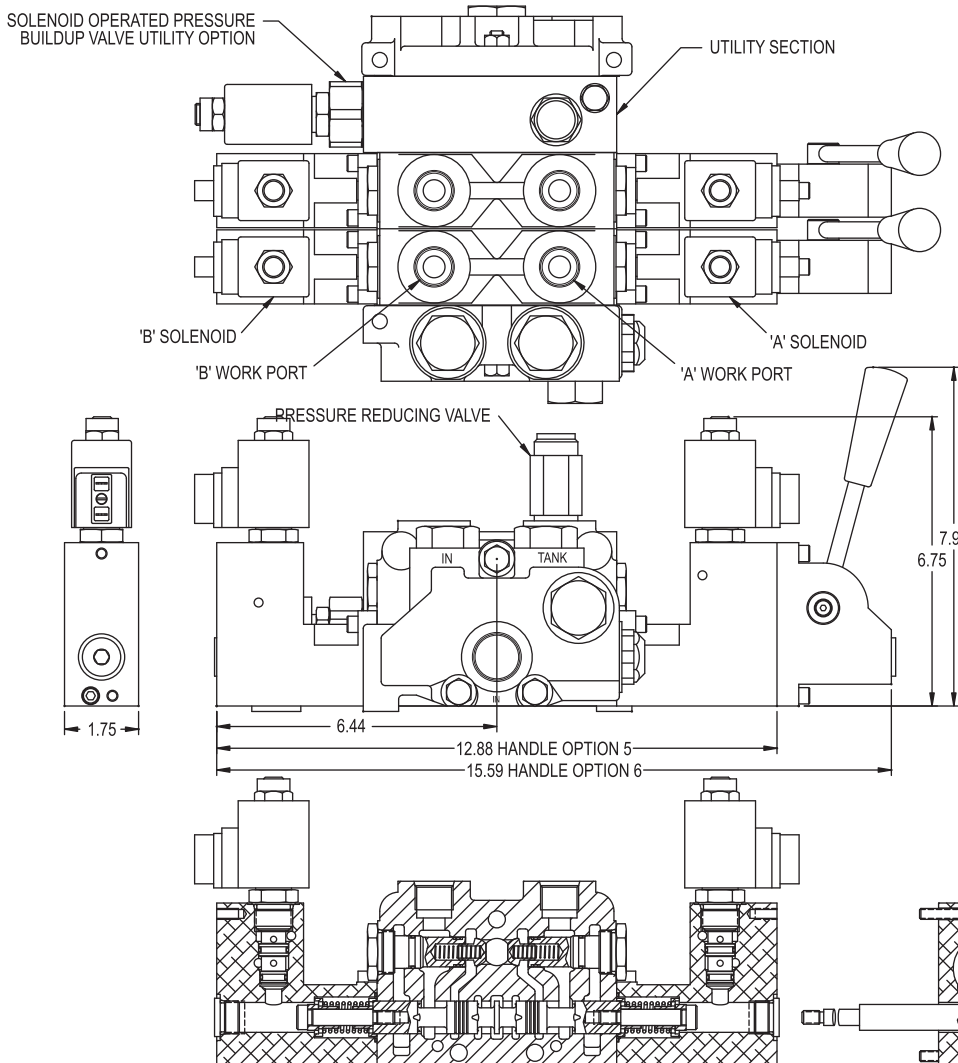
A typical handle to spool movement pattern is shown. Different patterns are also available. The Joystick handle can be used with standard three position spools or with four position float spools. If work port reliefs are required on the joystick end of a section, the relief cartridges must be the shim adjustable type. When two joysticks are installed on the same valve assembly, it is recommended that there be two standard section between them to prevent handle interference.

When ordering a valve assembly, please refer to the following part numbers and indicate which sections the handle is to be installed on. The part numbers refer to the complete joystick assembly required to control two valve sections. Use the same part numbers to order kits for field installation.

JOYSTICK ASSEMBLY W/ STRAIGHT HANDLE:
ASSEMBLED ON VALVE 20JS
KIT 660190016

JOYSTICK ASSEMBLY W/ OFFSET HANDLE:
ASSEMBLED ON VALVE 20JO
KIT 660190017

SERIES "20" SPLIT SOLENOID OPERATORS (SOLENOID OPERATORS ON BOTH ENDS)



SPECIFICATIONS:
1-9 SECTIONS
20 GPM
INTERNAL PILOT
INTERNAL DRAIN