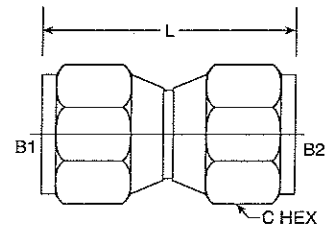


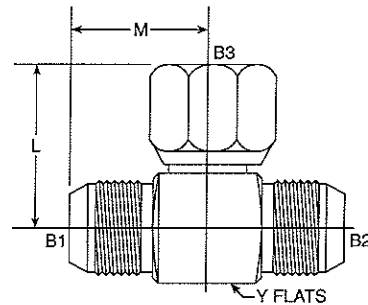
FJS-FJS Straight 6565 Series



| PART NO. SIZE | TUBE O.D. | B1 SAE 37 | B2 SAE 37 | L LGTH M.M. | C HEX M.M. | C HEX M.M. | Standard Material From Stock | | | | | |
|---------------|-----------|-----------|-----------|-------------|------------|------------|------------------------------|-------|----|---|---|--|
| | | | | | | | S | FG | SS | B | | |
| 6565-04-04 | 1/4 | 7/16-20 | 7/16-20 | 1.260 | 32.00 | 9/16 | 0.562 | 14.28 | • | | • | |
| 6565-06-06 | 3/8 | 9/16-18 | 9/16-18 | 1.330 | 33.78 | 11/16 | 0.688 | 17.46 | • | | | |
| 6565-08-08 | 1/2 | 3/4-16 | 3/4-16 | 1.660 | 42.16 | 7/8 | 0.875 | 22.22 | • | | | |
| 6565-10-10 | 5/8 | 7/8-14 | 7/8-14 | 1.900 | 48.26 | 1 | 1.000 | 25.40 | • | | | |
| 6565-12-12 | 3/4 | 1 1/16-12 | 1 1/16-12 | 2.330 | 59.18 | 1 1/4 | 1.250 | 31.75 | • | | | |
| 6565-16-16 | 1 | 1 5/16-12 | 1 5/16-12 | 2.630 | 66.80 | 1 1/2 | 1.500 | 38.10 | • | | | |
| 6565-20-20 | 1 1/4 | 1 5/8-12 | 1 5/8-12 | 2.660 | 67.56 | 2 | 2.000 | 50.80 | • | | | |
| 6565-24-24 | 1 1/2 | 1 7/8-12 | 1 7/8-12 | 2.880 | 73.15 | 2 1/4 | 2.250 | 57.15 | • | | | |

MJ-MJ-FJS Tee 6600 Series

SAE# 070433 / MS# 51524



| PART NO. SIZE | TUBE O.D. | B1 SAE 37 | B2 SAE 37 | B3 SAE 37 | L LGTH M.M. | M LGTH M.M. | Y FLATS M.M. | Y FLATS M.M. | Standard Material From Stock | | | | | | |
|--------------------------|-----------|-----------|-----------|-----------|-------------|-------------|--------------|--------------|------------------------------|-------|-------|---|---|---|--|
| | | | | | | | | | S | FG | SS | B | | | |
| 6600-02-02-02 | 1/8 | 5/16-24 | 5/16-24 | 5/16-24 | 0.970 | 24.64 | 0.770 | 19.56 | 7/16 | 0.437 | 11.10 | | | • | |
| 6600-03-03-03 | 3/16 | 3/8-24 | 3/8-24 | 3/8-24 | 1.000 | 25.40 | 0.830 | 21.08 | 7/16 | 0.438 | 11.13 | | • | | |
| 6600-04-04-04 | 1/4 | 7/16-20 | 7/16-20 | 7/16-20 | 1.000 | 25.40 | 0.890 | 22.61 | 1/2 | 0.500 | 12.70 | • | • | • | |
| 6600-05-05-05 | 5/16 | 1/2-20 | 1/2-20 | 1/2-20 | 1.060 | 26.92 | 0.950 | 24.13 | 9/16 | 0.562 | 14.27 | • | • | • | |
| 6600-06-06-06 | 3/8 | 9/16-18 | 9/16-18 | 9/16-18 | 1.250 | 31.75 | 1.060 | 26.92 | 5/8 | 0.625 | 15.88 | • | • | • | |
| NEW 6600-06-06-08 | | | | | | | | | | | | • | | | |
| 6600-08-08-08 | 1/2 | 3/4-16 | 3/4-16 | 3/4-16 | 1.380 | 35.05 | 1.250 | 31.75 | 13/16 | 0.812 | 20.62 | • | • | • | |
| 6600-10-10-10 | 5/8 | 7/8-14 | 7/8-14 | 7/8-14 | 1.620 | 41.15 | 1.450 | 36.83 | 15/16 | 0.937 | 23.80 | • | • | • | |
| NEW 6600-12-12-10 | | | | | | | | | | | | • | | | |
| 6600-12-12-12 | 3/4 | 1 1/16-12 | 1 1/16-12 | 1 1/16-12 | 1.750 | 44.45 | 1.660 | 42.16 | 1 1/8 | 1.125 | 28.58 | • | • | • | |
| 6600-14-14-14 | 7/8 | 1 3/16-12 | 1 3/16-12 | 1 3/16-12 | 1.780 | 45.21 | 1.730 | 43.94 | 1 1/4 | 1.250 | 31.75 | • | • | • | |
| 6600-16-16-16 | 1 | 1 5/16-12 | 1 5/16-12 | 1 5/16-12 | 2.000 | 50.80 | 1.810 | 45.97 | 1 3/8 | 1.375 | 34.93 | • | • | • | |
| 6600-20-20-20 | 1 1/4 | 1 5/8-12 | 1 5/8-12 | 1 5/8-12 | 2.310 | 58.67 | 2.060 | 52.32 | 1 3/4 | 1.750 | 44.45 | • | • | • | |
| 6600-24-24-24 | 1 1/2 | 1 7/8-12 | 1 7/8-12 | 1 7/8-12 | 2.590 | 65.79 | 2.330 | 59.18 | 2 | 2.000 | 50.80 | • | • | • | |
| 6600-32-32-32 | 2 | 2 1/2-12 | 2 1/2-12 | 2 1/2-12 | 3.380 | 85.85 | 3.060 | 77.72 | 2 5/8 | 2.625 | 66.68 | • | • | • | |