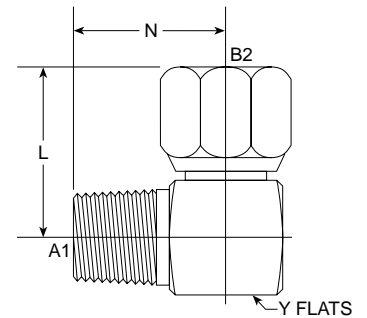


# Tube Fittings & Adapters

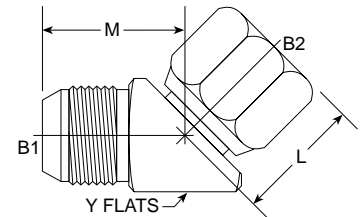
## MP-FJS 90° 6501 Series



| PART NO. SIZE | TUBE O.D. | A1 NPTF      | B2 SAE 37 | L LGTH | M.M.  | N LGTH | M.M.  | Y FLATS | Y FLATS | M.M.  | Standard Material From Stock |    |    |   |
|---------------|-----------|--------------|-----------|--------|-------|--------|-------|---------|---------|-------|------------------------------|----|----|---|
|               |           |              |           |        |       |        |       |         |         |       | S                            | FG | SS | B |
| 6501-02-04    | 1/4       | 1/8-27       | 7/16-20   | 0.780  | 19.81 | 1.000  | 25.40 | 1/2     | 0.500   | 12.70 | •                            | •  | •  |   |
| 6501-02-05    | 5/16      | 1/8-27       | 1/2-20    | 0.780  | 19.81 | 1.000  | 25.40 | 9/16    | 0.562   | 14.27 | •                            | •  | •  |   |
| 6501-04-04    | 1/4       | 1/18         | 7/16-20   | 1.110  | 28.19 | 1.110  | 28.19 | 5/8     | 0.625   | 15.88 | •                            | •  | •  |   |
| 6501-04-05    | 5/16      | 1/4-18       | 7/16-20   | 1.110  | 28.19 | 1.090  | 27.69 | 5/8     | 0.625   | 15.88 | •                            | •  | •  |   |
| 6501-04-06    | 3/8       | 1/4-18       | 9/16-18   | 1.090  | 27.69 | 1.250  | 31.75 | 5/8     | 0.625   | 15.88 | •                            | •  | •  |   |
| 6501-06-04    | 1/4       | 3/8-18       | 7/16-20   | 1.110  | 28.19 | 1.130  | 28.70 | 5/8     | 0.625   | 15.88 | •                            | •  | •  |   |
| 6501-06-06    | 3/8       | 3/8-18       | 9/16-18   | 1.220  | 30.99 | 1.330  | 33.78 | 13/16   | 0.812   | 20.62 | •                            | •  | •  |   |
| 6501-06-08    | 1/2       | 3/8-18       | 3/4-16    | 1.220  | 30.99 | 1.380  | 35.05 | 13/16   | 0.812   | 20.62 | •                            | •  | •  |   |
| 6501-08-06    | 3-8       | 1/2-14       | 9/16-18   | 1.470  | 37.34 | 1.370  | 34.80 | 15/16   | 0.937   | 23.80 | •                            | •  | •  |   |
| 6501-08-08    | 1/2       | 1/2-14       | 3/4-16    | 1.470  | 37.34 | 1.470  | 37.34 | 15/16   | 0.937   | 23.80 | •                            | •  | •  |   |
| 6501-08-10    | 5/8       | 1/2-14       | 7/8-14    | 1.470  | 37.34 | 1.620  | 41.15 | 15/16   | 0.937   | 23.80 | •                            | •  | •  |   |
| 6501-12-12    | 3/4       | 3/4-14       | 1 1/16-12 | 1.590  | 40.39 | 1.750  | 44.45 | 1 1/8   | 1.125   | 28.58 | •                            | •  | •  |   |
| 6501-12-14    | 7/8       | 3/4-14       | 1 3/16-12 | 1.690  | 42.93 | 1.780  | 45.21 | 1 1/4   | 1.250   | 31.75 | •                            | •  | •  |   |
| 6501-16-16    | 1         | 1-11 1/2     | 1 5/16-12 | 1.970  | 50.04 | 2.000  | 50.80 | 1 3/8   | 1.375   | 34.93 | •                            | •  | •  |   |
| 6501-20-20    | 1 1/4     | 1 1/4-11 1/2 | 1 5/8-12  | 2.380  | 60.45 | 2.310  | 58.67 | 1 3/8   | 1.375   | 34.93 | •                            | •  | •  |   |
| 6501-24-24    | 1 1/2     | 1 1/2-11 1/2 | 1 7/8-12  | 2.640  | 67.06 | 2.590  | 65.79 | 2       | 2.000   | 50.80 | •                            | •  | •  |   |
| 6501-32-32    | 2         | 2-11 1/2     | 2 1/2-12  | 3.000  | 76.20 | 3.380  | 85.85 | 2 5/8   | 2.625   | 66.68 | •                            | •  | •  |   |

## MJ-FJS 45° 6502 Series

SAE# 070321 / MS# 51522



| PART NO. SIZE | TUBE O.D. | B1 SAE 37 | B2 SAE 37 | L LGTH | M.M.  | M LGTH | M.M.  | Y FLATS | Y FLATS | M.M.  | Standard Material From Stock |    |    |   |
|---------------|-----------|-----------|-----------|--------|-------|--------|-------|---------|---------|-------|------------------------------|----|----|---|
|               |           |           |           |        |       |        |       |         |         |       | S                            | FG | SS | B |
| 6502-02-02    | 1/8       | 5/16-24   | 5/16-24   | 0.940  | 23.88 | 0.690  | 17.53 | 7/16    | 0.437   | 11.10 |                              |    | •  |   |
| 6502-04-04    | 1/4       | 7/16-20   | 7/16-20   | 0.720  | 18.29 | 0.940  | 23.88 | 1/2     | 0.500   | 12.70 | •                            | •  | •  |   |
| 6502-05-05    | 5/16      | 1/2-20    | 1/2-20    | 0.770  | 19.56 | 1.000  | 25.40 | 9/16    | 0.562   | 14.27 | •                            | •  | •  |   |
| 6502-06-06    | 3/8       | 9/16-18   | 9/16-18   | 0.830  | 21.08 | 1.120  | 28.45 | 5/8     | 0.625   | 15.88 | •                            | •  | •  |   |
| 6502-08-08    | 1/2       | 3/4-16    | 3/4-16    | 0.980  | 24.89 | 1.280  | 32.51 | 1 3/16  | 1.188   | 30.16 | •                            | •  | •  |   |
| 6502-10-08    | 5/8       | 7/8-14    | 3/4-16    | 1.220  | 30.99 | 1.210  | 30.73 | 15/16   | 0.937   | 23.80 | •                            | •  | •  |   |
| 6502-10-10    | 5/8       | 7/8-14    | 7/8-14    | 1.110  | 28.19 | 1.440  | 36.58 | 15/16   | 0.937   | 23.80 | •                            | •  | •  |   |
| 6502-12-12    | 3/4       | 1 1/16-12 | 1 1/16-12 | 1.280  | 32.51 | 1.500  | 38.10 | 1 1/8   | 1.125   | 28.58 | •                            | •  | •  |   |
| 6502-14-14    | 7/8       | 1 3/16-12 | 1 3/16-12 | 1.390  | 35.31 | 1.620  | 41.15 | 1 1/4   | 1.250   | 31.75 | •                            | •  | •  |   |
| 6502-16-16    | 1         | 1 5/16-12 | 1 5/16-12 | 1.470  | 37.34 | 1.750  | 44.45 | 1 3/8   | 1.375   | 34.93 | •                            | •  | •  |   |
| 6502-20-20    | 1 1/4     | 1 5/8-12  | 1 5/8-12  | 1.590  | 40.39 | 2.030  | 51.56 | 1 3/4   | 1.750   | 44.45 | •                            | •  | •  |   |
| 6502-24-24    | 1 1/2     | 1 7/8-12  | 1 7/8-12  | 1.780  | 45.21 | 2.250  | 57.15 | 2       | 2.000   | 50.80 | •                            | •  | •  |   |
| 6502-32-32    | 2         | 2 1/2-12  | 2 1/2-12  | 2.220  | 56.39 | 2.910  | 73.91 | 2 5/8   | 2.625   | 66.68 | •                            | •  | •  |   |