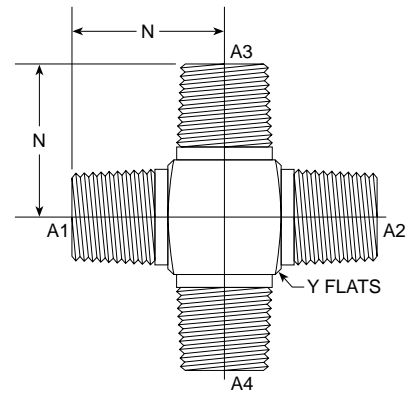


Tube Fittings & Adapters

MP-MP-MP-MP Cross 5650 Series

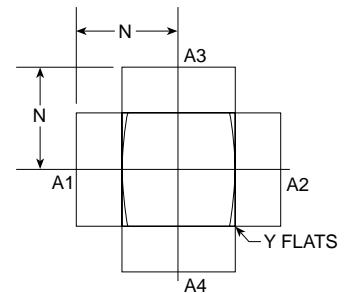
SAE # 140537
(As coded per SAE J846)



PART NO. SIZE	PIPE O.D.	A1 NPTF	A2 NPTF	A3 NPTF	A4 NPTF	N LGTH	M.M.	Y FLATS	Y FLATS	M.M.	Standard Material From Stock			
											S	FG	SS	B
5650-04-04-04-04	1/4	1/4-18	1/4-18	1/4-18	1/4-18	1.090	27.69	3/4	0.750	19.00	•			
5650-16-16-16-16	1	1-11 1/2	1-11 1/2	1-11 1/2	1-11 1/2	1.970	50.00	1 5/8	1.625	41.30			•	

FP-FP-FP-FP Cross 5652 Series

SAE # 140538
(As coded per SAE J846)



PART NO. SIZE	PIPE O.D.	A1 NPTF	A2 NPTF	A3 NPTF	A4 NPTF	N LGTH	M.M.	Y FLATS	Y FLATS	M.M.	Standard Material From Stock			
											S	FG	SS	B
5652-02-02-02-02	1/8	1/8-27	1/8-27	1/8-27	1/8-27	0.660	16.76	5/8	0.625	15.88	•	•	•	
5652-04-04-04-04	1/4	1/4-18	1/4-18	1/4-18	1/4-18	0.880	22.35	3/4	0.750	19.05	•	•	•	
5652-06-06-06-06	3/8	3/8-18	3/8-18	3/8-18	3/8-18	1.020	25.91	7/8	0.875	22.23	•	•	•	
5652-08-08-08-08	1/2	1/2-14	1/2-14	1/2-14	1/2-14	1.230	31.24	1 1/8	1.125	28.58	•	•	•	
5652-12-12-12-12	3/4	3/4-14	3/4-14	3/4-14	3/4-14	1.360	34.54	1 3/8	1.375	34.93	•	•	•	
5652-16-16-16-16	1	1-11 1/2	1-11 1/2	1-11 1/2	1-11 1/2	1.630	41.40	1 5/8	1.625	41.28	•	•	•	
5652-20-20-20-20	1 1/4	1 1/4-11 1/2	1 1/4-11 1/2	1 1/4-11 1/2	1 1/4-11 1/2	1.700	43.18	2	2.000	50.80	•	•	•	
5652-24-24-24-24	1 1/2	1 1/2-11 1/2	1 1/2-11 1/2	1 1/2-11 1/2	1 1/2-11 1/2	2.080	52.83	2 3/8	2.375	60.33	•		•	
5652-32-32-32-32	2	2-11 1/2	2-11 1/2	2-11 1/2	2-11 1/2	2.390	60.71	2 7/8	2.875	73.03	•		•	