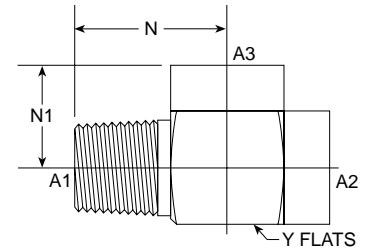


Tube Fittings & Adapters

MP-FP-FP Street Tee 5602 Series

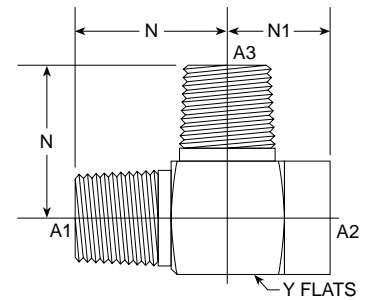
SAE # 140424



| PART NO. SIZE | PIPE O.D. | A1 NPTF | A2 NPTF | A3 NPTF | N LGTH | M.M. | N1 LGTH | M.M. | Y FLATS | Y FLATS | M.M. | Standard Material From Stock | | | |
|---------------|-----------|--------------|--------------|--------------|--------|-------|---------|-------|---------|---------|-------|------------------------------|----|----|---|
| | | | | | | | | | | | | S | FG | SS | B |
| 5602-02-02-02 | 1/8 | 1/8-27 | 1/8-27 | 1/8-27 | 0.780 | 19.81 | 0.660 | 16.76 | 5/8 | 0.625 | 15.88 | • | • | • | • |
| 5602-02-04-04 | 1/8 | 1/8-27 | 1/4-18 | 1/4-18 | 0.900 | 22.86 | 0.880 | 22.35 | 3/4 | 0.750 | 19.05 | • | • | • | • |
| 5602-04-04-04 | 1/4 | 1/4-18 | 1/4-18 | 1/4-18 | 1.090 | 27.69 | 0.880 | 22.35 | 3/4 | 0.750 | 19.05 | • | • | • | • |
| 5602-06-06-06 | 3/8 | 3/8-18 | 3/8-18 | 3/8-18 | 1.220 | 30.99 | 1.020 | 25.91 | 7/8 | 0.875 | 22.23 | • | • | • | • |
| 5602-08-08-08 | 1/2 | 1/2-14 | 1/2-14 | 1/2-14 | 1.470 | 37.34 | 1.230 | 31.24 | 1 1/8 | 1.125 | 28.58 | • | • | • | • |
| 5602-12-12-12 | 3/4 | 3/4-14 | 3/4-14 | 3/4-14 | 1.590 | 40.39 | 1.360 | 34.54 | 1 3/8 | 1.375 | 34.93 | • | • | • | • |
| 5602-16-16-16 | 1 | 1-11 1/2 | 1-11 1/2 | 1-11 1/2 | 1.970 | 50.04 | 1.630 | 41.40 | 1 5/8 | 1.625 | 41.28 | • | • | • | • |
| 5602-20-20-20 | 1 1/4 | 1 1/4-11 1/2 | 1 1/4-11 1/2 | 1 1/4-11 1/2 | 2.380 | 60.45 | 1.700 | 43.18 | 2 | 2.000 | 50.80 | • | • | • | • |
| 5602-24-24-24 | 1 1/2 | 1 1/2-11 1/2 | 1 1/2-11 1/2 | 1 1/2-11 1/2 | 2.640 | 67.06 | 2.080 | 52.83 | 2 3/8 | 2.375 | 60.33 | • | • | • | • |
| 5602-32-32-32 | 2 | 2-11 1/2 | 2-11 1/2 | 2-11 1/2 | 3.000 | 76.20 | 2.390 | 60.71 | 2 7/8 | 2.875 | 73.03 | • | • | • | • |

MP-FP-MP Tee 5603 Series

SAE # 140426
(As coded per SAE J846)



| PART NO. SIZE | PIPE O.D. | A1 NPTF | A2 NPTF | A3 NPTF | N LGTH | M.M. | N1 LGTH | M.M. | Y FLATS | Y FLATS | M.M. | Standard Material From Stock | | | |
|-------------------|-----------|--------------|--------------|--------------|--------|-------|---------|-------|---------|---------|-------|------------------------------|----|----|---|
| | | | | | | | | | | | | S | FG | SS | B |
| NEW 5603-02-02-02 | 1/8 | 1/8-27 | 1/8-27 | 1/8-27 | 0.780 | 19.81 | 0.660 | 16.76 | 5/8 | 0.625 | 15.88 | • | • | • | • |
| 5603-02-04-02 | 1/8 | 1/8-27 | 1/4-18 | 1/4-18 | 0.900 | 22.86 | 0.880 | 22.35 | 3/4 | 0.750 | 19.05 | • | • | • | • |
| 5603-04-04-04 | 1/4 | 1/4-18 | 1/4-18 | 1/4-18 | 1.090 | 27.69 | 0.880 | 22.35 | 3/4 | 0.750 | 19.05 | • | • | • | • |
| 5603-06-06-06 | 3/8 | 3/8-18 | 3/8-18 | 3/8-18 | 1.220 | 30.99 | 1.020 | 25.91 | 7/8 | 0.875 | 22.23 | • | • | • | • |
| 5603-08-08-08 | 1/2 | 1/2-14 | 1/2-14 | 1/2-14 | 1.470 | 37.34 | 1.230 | 31.24 | 1 1/8 | 1.125 | 28.58 | • | • | • | • |
| NEW 5603-12-12-08 | 3/4 | 3/4-14 | 3/4-14 | 3/4-14 | 1.590 | 40.39 | 1.360 | 34.54 | 1 3/8 | 1.375 | 34.93 | • | • | • | • |
| 5603-12-12-12 | 1 | 1-11 1/2 | 1-11 1/2 | 1-11 1/2 | 1.970 | 50.04 | 1.630 | 41.40 | 1 5/8 | 1.625 | 41.28 | • | • | • | • |
| 5603-16-16-16 | 1 1/4 | 1 1/4-11 1/2 | 1 1/4-11 1/2 | 1 1/4-11 1/2 | 2.380 | 60.45 | 1.700 | 43.18 | 2 | 2.000 | 50.80 | • | • | • | • |
| 5603-20-20-20 | 1 1/2 | 1 1/2-11 1/2 | 1 1/2-11 1/2 | 1 1/2-11 1/2 | 2.640 | 67.06 | 2.080 | 52.83 | 2 3/8 | 2.375 | 60.33 | • | • | • | • |