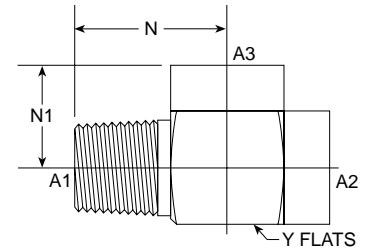


Tube Fittings & Adapters

MP-FP-FP Street Tee 5602 Series

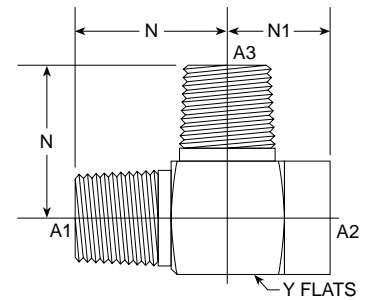
SAE # 140424



PART NO. SIZE	PIPE O.D.	A1 NPTF	A2 NPTF	A3 NPTF	N LGTH	M.M.	N1 LGTH	M.M.	Y FLATS	Y FLATS	M.M.	Standard Material From Stock			
												S	FG	SS	B
5602-02-02-02	1/8	1/8-27	1/8-27	1/8-27	0.780	19.81	0.660	16.76	5/8	0.625	15.88	•	•	•	•
5602-02-04-04	1/8	1/8-27	1/4-18	1/4-18	0.900	22.86	0.880	22.35	3/4	0.750	19.05	•	•	•	•
5602-04-04-04	1/4	1/4-18	1/4-18	1/4-18	1.090	27.69	0.880	22.35	3/4	0.750	19.05	•	•	•	•
5602-06-06-06	3/8	3/8-18	3/8-18	3/8-18	1.220	30.99	1.020	25.91	7/8	0.875	22.23	•	•	•	•
5602-08-08-08	1/2	1/2-14	1/2-14	1/2-14	1.470	37.34	1.230	31.24	1 1/8	1.125	28.58	•	•	•	•
5602-12-12-12	3/4	3/4-14	3/4-14	3/4-14	1.590	40.39	1.360	34.54	1 3/8	1.375	34.93	•	•	•	•
5602-16-16-16	1	1-11 1/2	1-11 1/2	1-11 1/2	1.970	50.04	1.630	41.40	1 5/8	1.625	41.28	•	•	•	•
5602-20-20-20	1 1/4	1 1/4-11 1/2	1 1/4-11 1/2	1 1/4-11 1/2	2.380	60.45	1.700	43.18	2	2.000	50.80	•	•	•	•
5602-24-24-24	1 1/2	1 1/2-11 1/2	1 1/2-11 1/2	1 1/2-11 1/2	2.640	67.06	2.080	52.83	2 3/8	2.375	60.33	•	•	•	•
5602-32-32-32	2	2-11 1/2	2-11 1/2	2-11 1/2	3.000	76.20	2.390	60.71	2 7/8	2.875	73.03	•	•	•	•

MP-FP-MP Tee 5603 Series

SAE # 140426
(As coded per SAE J846)



PART NO. SIZE	PIPE O.D.	A1 NPTF	A2 NPTF	A3 NPTF	N LGTH	M.M.	N1 LGTH	M.M.	Y FLATS	Y FLATS	M.M.	Standard Material From Stock			
												S	FG	SS	B
NEW 5603-02-02-02	1/8	1/8-27	1/8-27	1/8-27	0.780	19.81	0.660	16.76	5/8	0.625	15.88	•	•	•	•
5603-02-04-02	1/8	1/8-27	1/4-18	1/4-18	0.900	22.86	0.880	22.35	3/4	0.750	19.05	•	•	•	•
5603-04-04-04	1/4	1/4-18	1/4-18	1/4-18	1.090	27.69	0.880	22.35	3/4	0.750	19.05	•	•	•	•
5603-06-06-06	3/8	3/8-18	3/8-18	3/8-18	1.220	30.99	1.020	25.91	7/8	0.875	22.23	•	•	•	•
5603-08-08-08	1/2	1/2-14	1/2-14	1/2-14	1.470	37.34	1.230	31.24	1 1/8	1.125	28.58	•	•	•	•
NEW 5603-12-12-08	3/4	3/4-14	3/4-14	3/4-14	1.590	40.39	1.360	34.54	1 3/8	1.375	34.93	•	•	•	•
5603-12-12-12	1	1-11 1/2	1-11 1/2	1-11 1/2	1.970	50.04	1.630	41.40	1 5/8	1.625	41.28	•	•	•	•
5603-16-16-16	1 1/4	1 1/4-11 1/2	1 1/4-11 1/2	1 1/4-11 1/2	2.380	60.45	1.700	43.18	2	2.000	50.80	•	•	•	•
5603-20-20-20	1 1/2	1 1/2-11 1/2	1 1/2-11 1/2	1 1/2-11 1/2	2.640	67.06	2.080	52.83	2 3/8	2.375	60.33	•	•	•	•