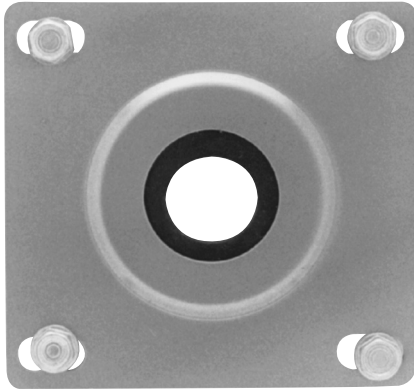




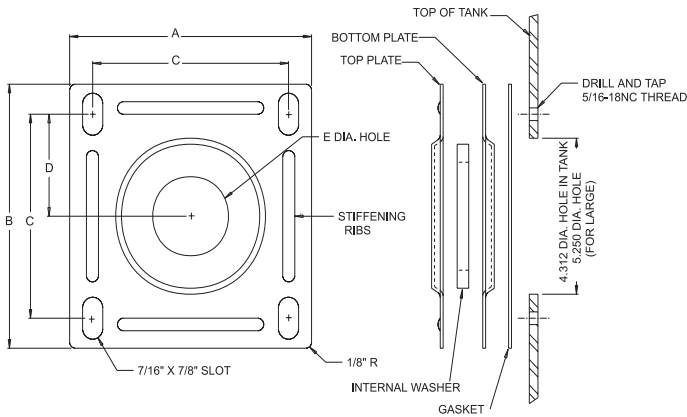
SUCTION FLANGES FOR PIPE/TUBING



- VESCOR Suction Flanges are designed to seal suction lines passing through the top plate of a hydraulic reservoir or similar application
- VESCOR Suction Flanges also allow access for removal of suction elements for inspection and cleaning

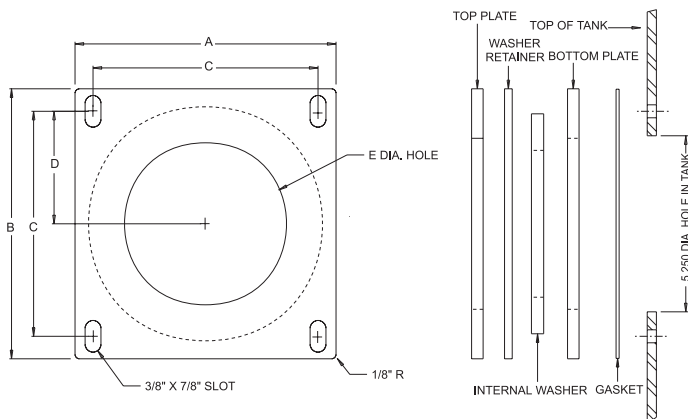
Each Suction Flange Assembly Includes:

1. (1) Top plate
2. (1) Internal washer
3. (1) Bottom plate
4. (1) Gasket
5. (4) 5/16-18 thread forming screws



Vescor Part Numbers 5100-5179 and 5880-5891

Vescor Part Number	Flange Dimensions (inches)					Pipe Size
	A	B	C	D	E	
5100	5 1/4"	5 1/2"	4 1/4"	2 1/8"	1 3/16"	1/2"
5101	5 1/4"	5 1/2"	4 1/4"	2 1/8"	1 3/16"	3/4"
5102	5 1/4"	5 1/2"	4 1/4"	2 1/8"	1 3/4"	1"
5103	5 1/4"	5 1/2"	4 1/4"	2 1/8"	1 3/4"	1 1/4"
5104	5 1/4"	5 1/2"	4 1/4"	2 1/8"	2 1/2"	1 1/2"
5105	5 1/4"	5 1/2"	4 1/4"	2 1/8"	2 1/2"	2"
5187	7 1/4"	7 1/2"	6 1/4"	3 1/8"	3 1/8"	1 1/2"
5188	7 1/4"	7 1/2"	6 1/4"	3 1/8"	3 1/8"	2"
5178	7 1/4"	7 1/2"	6 1/4"	3 1/8"	3 3/4"	2 1/2"
5179	7 1/4"	7 1/2"	6 1/4"	3 1/8"	3 3/4"	3"
5180	7 1/4"	7 1/2"	6 1/4"	3 1/8"	4 3/4"	3 1/2"
5181	7 1/4"	7 1/2"	6 1/4"	3 1/8"	4 3/4"	4"



Vescor Part Numbers 5180-5181

Vescor Part Number	Flange Dimensions (inches)					Tube Size O.D.
	A	B	C	D	E	
5891	5 1/4"	5 1/2"	4 1/4"	2 1/8"	1 3/16"	3/8"
5880	5 1/4"	5 1/2"	4 1/4"	2 1/8"	1 3/16"	1/2"
5881	5 1/4"	5 1/2"	4 1/4"	2 1/8"	1 3/16"	5/8"
5882	5 1/4"	5 1/2"	4 1/4"	2 1/8"	1 3/16"	3/4"
5883	5 1/4"	5 1/2"	4 1/4"	2 1/8"	1 3/4"	1"
5884	5 1/4"	5 1/2"	4 1/4"	2 1/8"	1 3/4"	1 1/4"
5885	5 1/4"	5 1/2"	4 1/4"	2 1/8"	2 1/2"	1 1/2"