

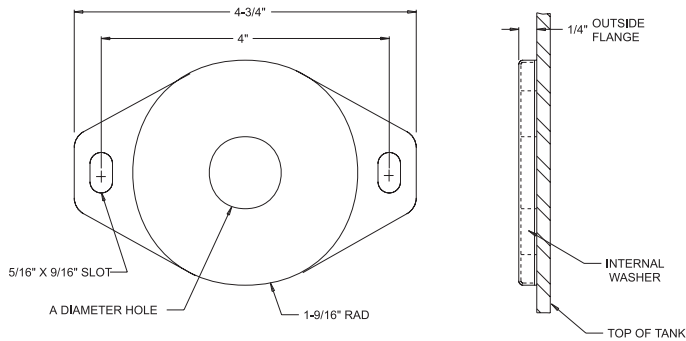
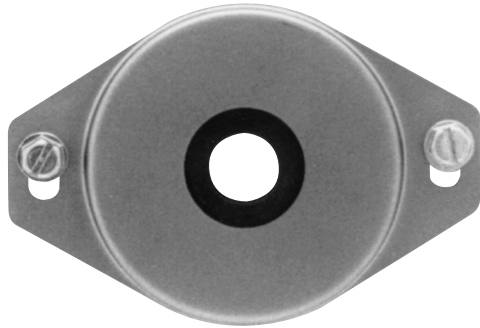


# RETURN FLANGES AND GROMMETS

## Return Flanges for Pipe and Tube

Each Return Flange Assembly Includes:

1. (1) Flange
2. (1) Internal washer
3. (2) 1/4-20 thread forming screws



### Return Flanges for Pipe

Vescor Part Number	A Diameter Hole	Pipe Size
5110	1 <sup>3</sup> / <sub>16</sub> "	1/2"
5111	1 <sup>3</sup> / <sub>4</sub> "	3/4"
5112	1 <sup>3</sup> / <sub>4</sub> "	1"
5113	2 <sup>1</sup> / <sub>2</sub> "	1 <sup>1</sup> / <sub>4</sub> "
5114	2 <sup>1</sup> / <sub>2</sub> "	1 <sup>1</sup> / <sub>2</sub> "
5115	2 <sup>1</sup> / <sub>2</sub> "	2"

### Return Flanges for Tube

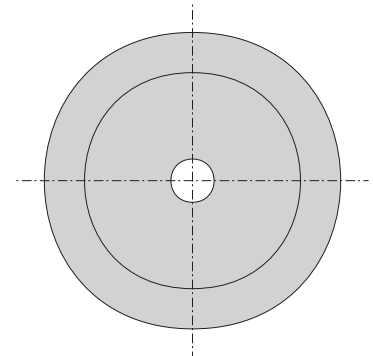
Vescor Part Number	A Diameter Hole	Tube Size O.D.
5772	1 <sup>3</sup> / <sub>16</sub> "	3/8"
5765	1 <sup>3</sup> / <sub>16</sub> "	1/2"
5766	1 <sup>3</sup> / <sub>16</sub> "	5/8"
5767	1 <sup>3</sup> / <sub>16</sub> "	3/4"
5768	1 <sup>3</sup> / <sub>4</sub> "	1"
5769	2 <sup>1</sup> / <sub>2</sub> "	1 <sup>1</sup> / <sub>4</sub> "
5770	2 <sup>1</sup> / <sub>2</sub> "	1 <sup>1</sup> / <sub>2</sub> "
5771	2 <sup>1</sup> / <sub>2</sub> "	2"

## Rubber Grommets for Reservoir Downpipes



**Material Specifications: BUNA-N**

1. Drill hole in tank top per cutout size "F"
2. Snap in grommet.
3. Blank size with 'E' hole shall be furnished.  
Maximum O.D. limited to 'B' dimension.



Vescor Part Number	Dimensions					Cutout Size F
	A	B	C	D	E	
131499	1 <sup>7</sup> / <sub>8</sub> "	2 <sup>5</sup> / <sub>32</sub> "	5/8"	1"	1/4"	1 <sup>1</sup> / <sub>8</sub> "
131599	2 <sup>3</sup> / <sub>8</sub> "	1 <sup>13</sup> / <sub>64</sub> "	5/8"	1"	1/4"	1 <sup>7</sup> / <sub>16</sub> "
131699	3"	1 <sup>27</sup> / <sub>32</sub> "	5/8"	1"	3/8"	2 <sup>1</sup> / <sub>16</sub> "
131799	3 <sup>1</sup> / <sub>2</sub> "	2 <sup>13</sup> / <sub>32</sub> "	5/8"	1"	1/2"	2 <sup>5</sup> / <sub>8</sub> "
131899	4 <sup>1</sup> / <sub>2</sub> "	3 <sup>1</sup> / <sub>2</sub> "	1 <sup>1</sup> / <sub>16</sub> "	1 <sup>3</sup> / <sub>16</sub> "	1/2"	3 <sup>7</sup> / <sub>8</sub> "

