

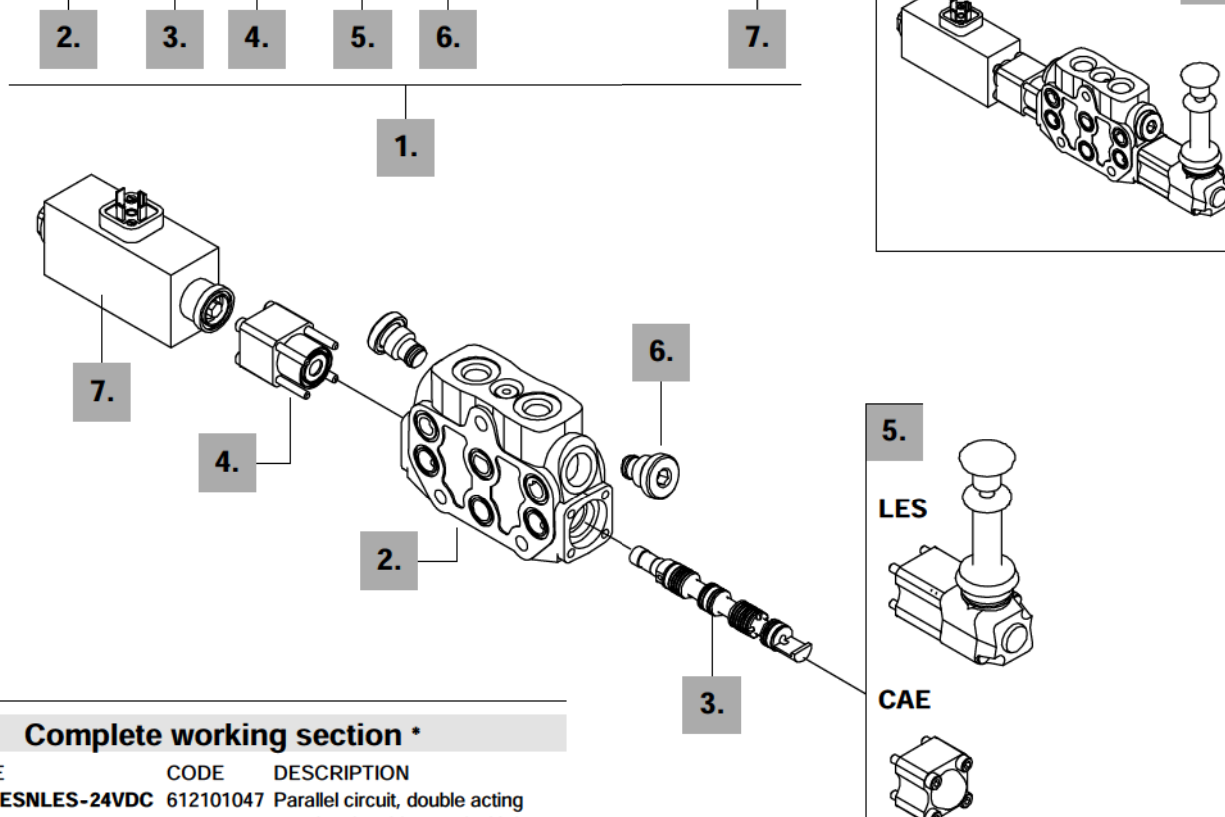
Complete controls

8ESN solenoid control

Direct control by double solenoid with spring return to neutral position, available with emergency manual override. It's necessary special spool and standard body (body kit without spool seals).

Description example:

EL SD6 / P - 1 8ESN LES P1(G3 - 125) - SAE - 24VDC



1. Complete working section *

TYPE	CODE	DESCRIPTION
P-18ESNLES-24VDC	612101047	Parallel circuit, double acting spool, solenoid control with lever

2. Working section kit *

TYPE	CODE	DESCRIPTION
P/IM-ES	5EL106700A	Parallel circuit

3. Spools

TYPE	CODE	DESCRIPTION
1(ESN)	3CU2210050	Double acting, 3 positions, with A and B closed in neutral position
2(ESN)	3CU2225050	Double acting, 3 positions, with A and B open to tank in neutral position

4. Connection kit

TYPE	CODE	DESCRIPTION
8ESN	5V08012	For solenoid joint, with spring return in neutral position

5. "B" side options

TYPE	CODE	DESCRIPTION
LES	5LEV106410	Safety lever pivot box for manual operation
CAE	5COP206100	Endcap

6. Port relief valves

For codes please refer to page 23.

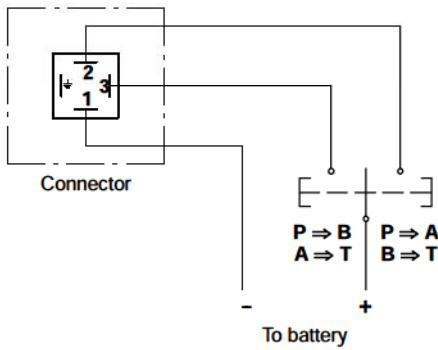
7. Solenoid

TYPE	CODE	DESCRIPTION
10.5VDC	XSOL314310	Nominal voltage 10.5VDC
12VDC	XSOL314312	Nominal voltage 12VDC
24VDC	XSOL314324	Nominal voltage 24VDC
192VDC	XSOL314192	Nominal voltage 192VDC; (for 220 VAC supply)

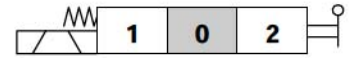
NOTE (*) - Codes are referred to UN-UNF threads.

8ESN solenoid control

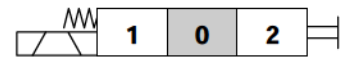
Electric wiring example



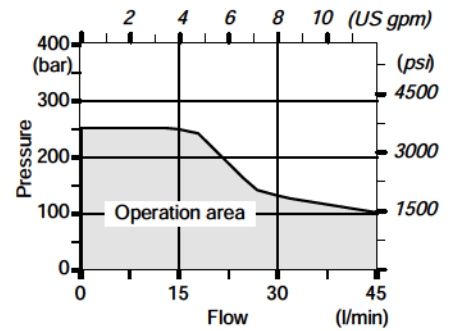
8ESNLES kit
with safety lever pivot box



8ESNCAE kit
with encadp



Operating condition diagram



Operating features

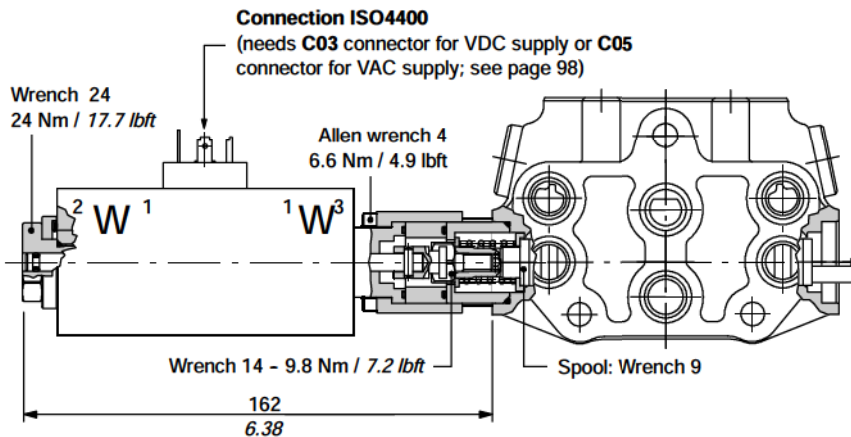
CONTROL

Internal leakage A(B)→T

($\Delta p = 100 \text{ bar} - 1450 \text{ psi}$ / $T = 40^\circ\text{C}$) : $10 \text{ cm}^3/\text{min} - 0.61 \text{ in}^3/\text{min}$

COIL

- Nominal voltage tolerance : +10%
- Power rating : 65 W
- Coil insulation : class H
- Duty cycle : 100%



LES

Manual operation:
lift the bush to lever
unlocking

Allen wrench 4
6.6 Nm / 4.9 lbf

66.5
2.62

Allen wrench 4
6.6 Nm / 4.9 lbf

CAE
Allen wrench 4
6.6 Nm / 4.9 lbf

15
0.59

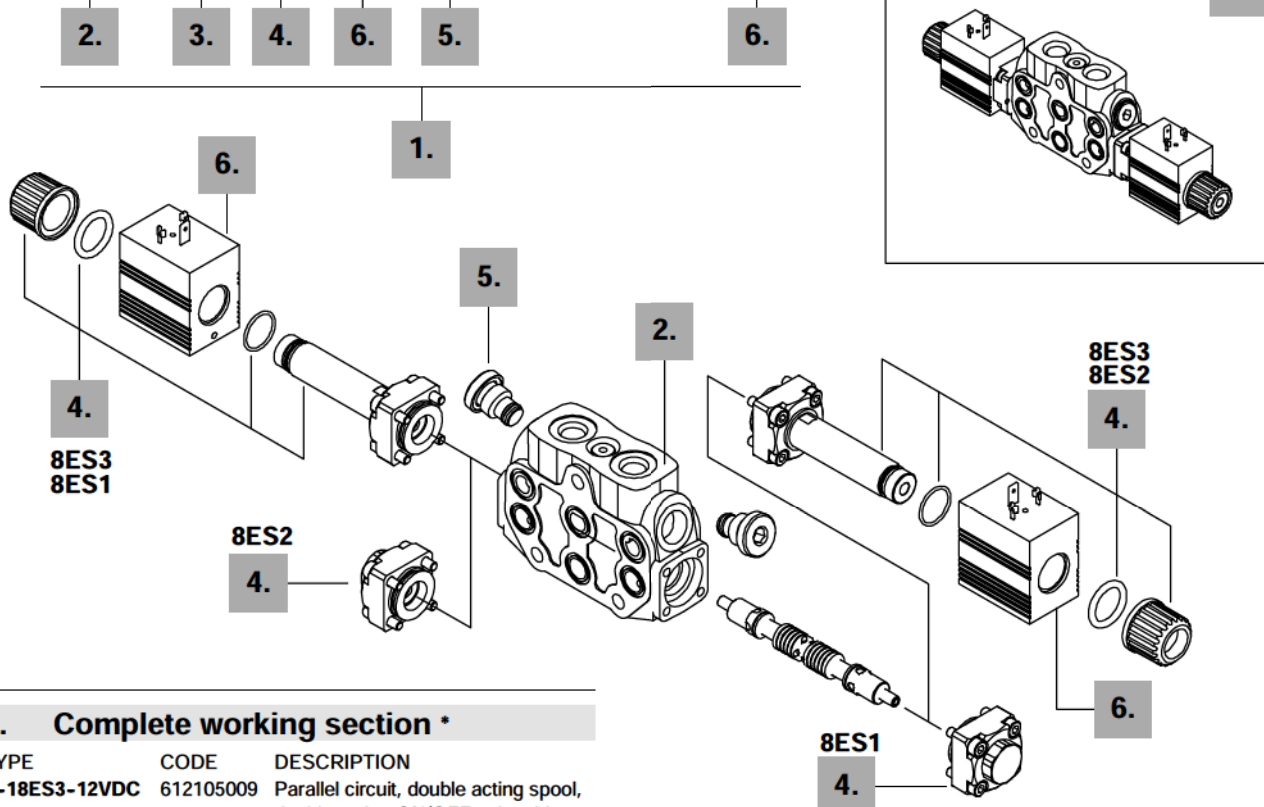
Complete controls

8ES solenoid control

Solenoid direct control with spring return to neutral position; it needs special spools and standard working section body (body kit without seals on spool).

Description example:

EL SD6 / P - 1 8ES3 4 P1(G3 - 100) - SAE - 12VDC



1. Complete working section *

TYPE	CODE	DESCRIPTION
P-18ES3-12VDC	612105009	Parallel circuit, double acting spool, double acting ON/OFF solenoid control

2. Working section kit *

TYPE	CODE	DESCRIPTION
P/IM-ES	5EL106700A	Distribuzione in parallelo

3. Spools

TYPE	CODE	DESCRIPTION
1(ES)	3CU2210015	Double acting, 3 positions, with A and B closed in neutral position
2(ES)	3CU2225015	Double acting, 3 positions, with A and B open to tank in neutral position

4. Control kit

TYPE	CODE	DESCRIPTION
8ES1	5CAN08026	P→A, with spring return to neutral position
8ES2	5CAN08026	P→B, with spring return to neutral position
8ES3	5CAN08027	Double acting with spring return to neutral position

5. Port valves

For codes please refer to page 23.

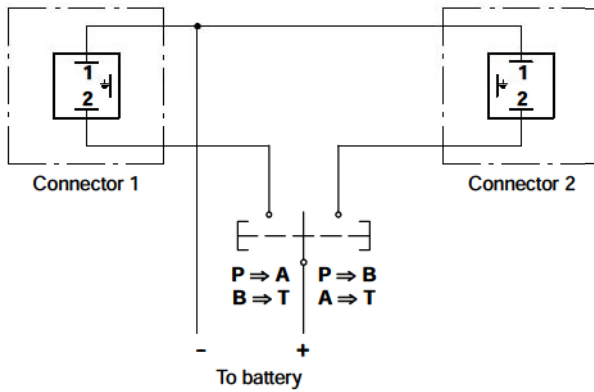
6. Coils

TYPE	CODE	DESCRIPTION
<u>With ISO4400 connector</u>		
10.5VDC	4SOL412011	Nominal voltage 10.5VDC
12VDC	4SOL412012	Nominal voltage 12VDC
24VDC	4SOL412024	Nominal voltage 24VDC
<u>With Deutsch series DT connector</u>		
4-10.5VDC	4SOL412111	Nominal voltage 10.5VDC
4-12VDC	4SOL412112	Nominal voltage 12VDC

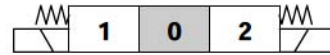
NOTE (*) - Codes are referred to UN- UNF thread.

8ES solenoid control

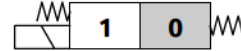
Electric wiring example



8ES3 kit
double acting



8ES1 kit
single acting on A



8ES2 kit
single acting on B



Operating features

CONTROL

Internal leakage A(B)→T

($\Delta p = 100 \text{ bar} - 1450 \text{ psi} / T = 40^\circ\text{C}$) : $15 \text{ cm}^3/\text{min} - 0.91 \text{ in}^3/\text{min}$

COIL

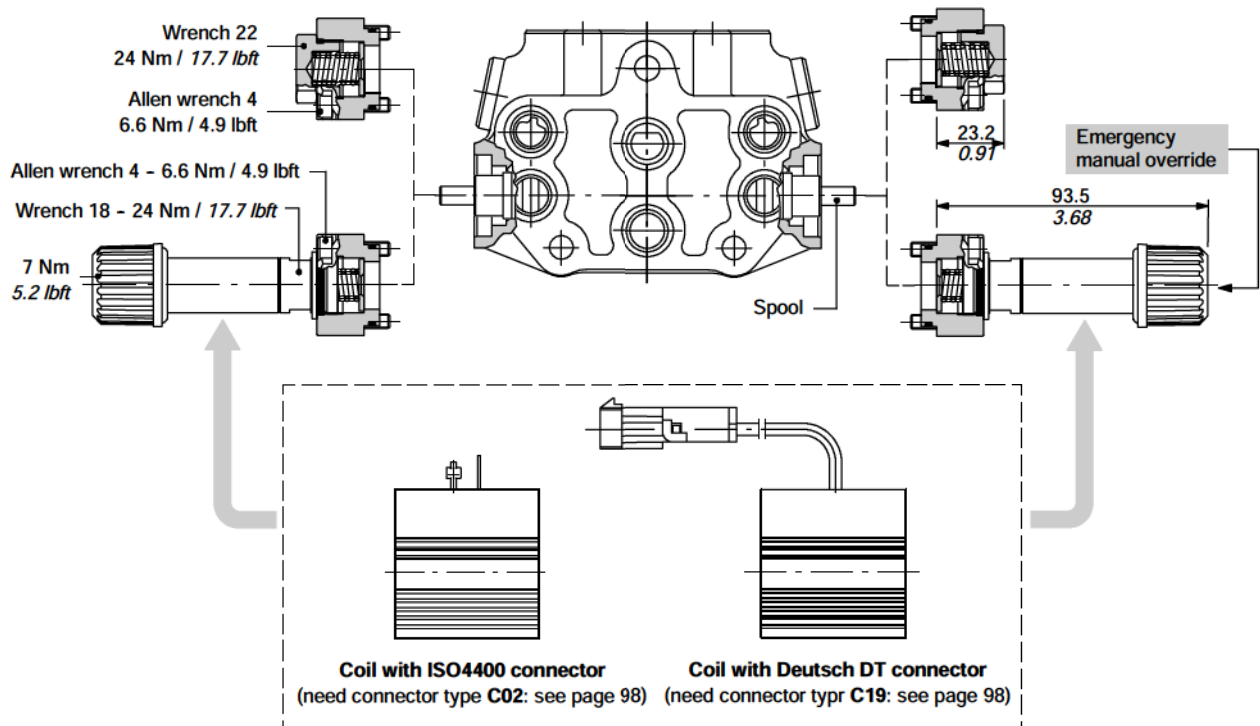
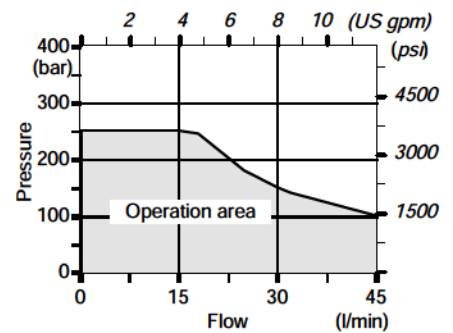
Nominal voltage tolerance : +10%

Power rating : 36 W

Coil insulation : class H

Duty cycle : 100%

Operating condition diagram

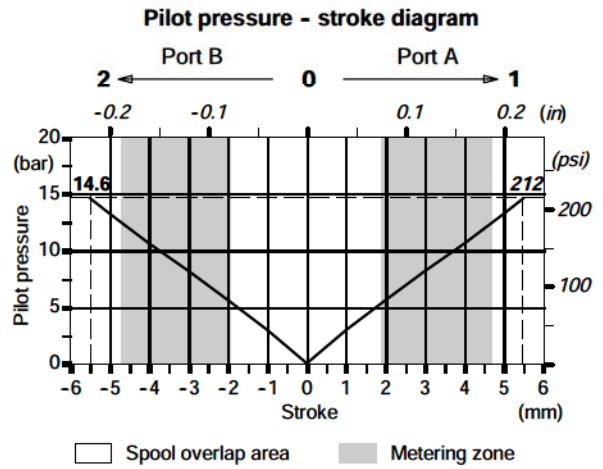
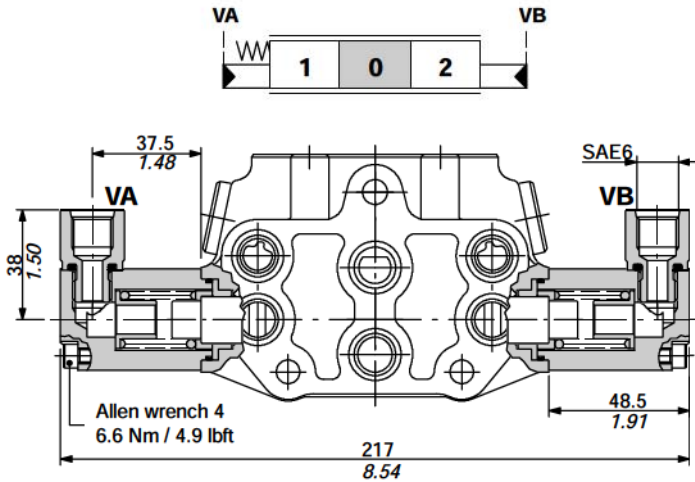


Comandi completi

8IM proportional hydraulic kit:: code 5IDR206710

It can be used with special spools and body kit without seals and ring on spool (standard body) code: 5EL106700A.

It's also available in 8IMF3-SD6 configuration with screws for spool stroke adjustment, code: 5IDR206712.



Available spools		
TYPE	CODE	DESCRIPTION
1IM	3CU2210420	Double acting, 3 positions, with A and B closed in neutral position
2IM	3CU2225420	Double acting, 3 positions, with A and B open to tank in neutral pos.

Operating features

Pilot pressure max. 50 bar / 730 psi
 Internal leakage A(B)→T ($\Delta p = 100 \text{ bar} - 1450 \text{ psi}$
 / $T = 40^\circ\text{C} - 104^\circ\text{F}$) max. 6 cm³/min - 0.37 in³/min

Connection example

