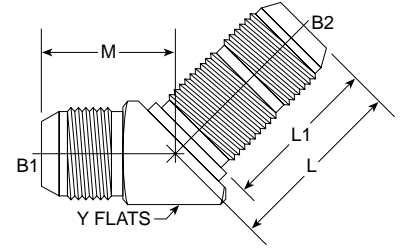


# Tube Fittings & Adapters

## MJ-MJ Bulkhead 45° 2702 Series

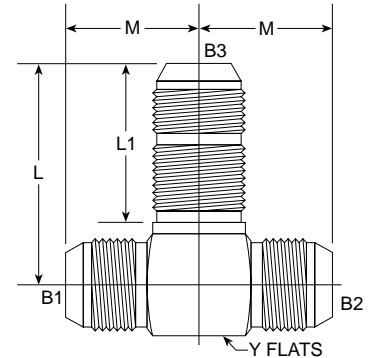
SAE# 070801 / MS# 51509



PART NO. SIZE	TUBE O.D.	B1 SAE 37	B2 SAE 37	L LGTH M.M.	L1 LGTH M.M.	M LGTH M.M.	Y FLATS M.M.	Y FLATS M.M.	PLATE MAX	Standard Material From Stock							
										S	FG	SS	B				
NEW 2702-03-03	1/4	7/16-20	7/16-20	1.530	38.86	1.020	25.90	0.720	18.29	1/2	0.500	12.70	5/16	•	•	•	
2702-04-04	5/16	1/2-20	1/2-20	1.660	42.16	1.020	25.90	0.770	19.56	9/16	0.562	14.27	17/64	•	•	•	
2702-06-06	3/8	9/16-18	9/16-18	1.670	42.42	1.184	30.07	0.830	21.08	5/8	0.625	15.88	19/64	•	•	•	
2702-08-08	1/2	3/4-16	3/4-16	1.940	49.28	1.250	31.75	0.980	24.89	13/16	0.812	20.62	5/16	•	•	•	
2702-10-10	5/8	7/8-14	7/8-14	2.170	55.12	1.390	35.31	1.110	28.19	15/16	0.937	23.80	3/8	•	•	•	
2702-12-12	3/4	1 1/16-12	1 1/16-12	2.440	61.98	1.560	39.62	1.280	32.51	1 1/8	1.125	28.58	25/64	•	•	•	
2702-14-14	7/8	1 3/16-12	1 3/16-12	2.500	63.50	1.560	39.62	1.450	36.83	1 3/8	1.375	34.93	3/8	•	•	•	
2702-16-16	1	1 5/16-12	1 5/16-12	2.560	65.02	1.560	39.62	1.470	37.34	1 3/8	1.375	34.93	21/64	•	•	•	
2702-20-20	1 1/4	1 5/8-12	1 5/8-12	2.650	67.31	1.610	40.89	1.590	40.39	1 3/4	1.750	44.45	1/4	•	•	•	
2702-24-24	1 1/2	1 7/8-12	1 7/8-12	2.670	67.82	1.620	41.15	1.780	45.21	2	2.000	50.80	19/64	•	•	•	
NEW 2702-32-32														•	•	•	

## MJ-MJ-MJ Bulkhead Branch Tee 2703 Series

SAE# 070959 / MS# 51515



PART NO. SIZE	TUBE O.D.	B1 SAE 37	B2 SAE 37	B3 SAE 37	L LGTH M.M.	L1 LGTH M.M.	M LGTH M.M.	Y FLATS M.M.	Y FLATS M.M.	PLATE MAX	Standard Material From Stock							
											S	FG	SS	B				
2703-03-03-03	3/16	3/8-24	3/8-24	3/8-24	1.500	38.10	0.920	23.37	0.940	23.88	7/16	0.438	11.13	•	•	•		
2703-04-04-04	1/4	7/16-20	7/16-20	7/16-20	1.590	40.39	1.020	25.90	0.970	24.64	1/2	0.500	12.70	•	•	•		
2703-04-04-06	1/4 3/8	7/16-20	7/16-20	9/16-20	1.810	45.97	1.184	30.07	1.080	27.43	5/8	0.625	15.88	19/64	•	•	•	
2703-05-05-05	5/16	1/2-20	1/2-20	1/2-20	1.720	43.69	1.020	25.90	1.060	26.92	9/16	0.562	14.27	•	•	•		
2703-06-06-06	3/8	9/16-18	9/16-18	9/16-18	1.810	45.97	1.184	30.07	1.090	27.69	5/8	0.625	15.88	19/64	•	•	•	
2703-08-08-08	1/2	3/4-16	3/4-16	3/4-16	2.110	53.59	1.250	31.75	1.360	34.54	13/16	0.812	20.62	5/16	•	•	•	
2703-10-10-10	5/8	7/8-14	7/8-14	7/8-14	2.390	60.71	1.390	35.31	1.560	39.62	15/16	0.937	23.80	3/8	•	•	•	
2703-12-12-12	3/4	1 1/16-12	1 1/16-12	1 1/16-12	2.670	67.82	1.560	39.62	1.780	45.21	1 1/8	1.125	28.58	25/64	•	•	•	
2703-12-12-16	3/4 1	1 1/16-12	1 1/16-12	1 5/8-12	2.800	71.12	1.560	39.62	1.890	48.01	1 3/8	1.375	34.93	•	•	•		
2703-14-14-14	7/8	1 3/16-12	1 3/16-12	1 3/16-12	2.800	71.12	1.560	39.62	1.920	48.77	1 1/4	1.250	31.75	3/8	•	•	•	
2703-16-16-16	1	1 5/16-12	1 5/16-12	1 5/16-12	2.800	71.02	1.560	39.62	1.940	49.28	1 3/8	1.375	34.93	21/64	•	•	•	
2703-20-20-20	1 1/4	1 5/8-12	1 5/8-12	1 5/8-12	2.120	53.85	1.610	46.64	2.170	55.12	1 3/4	1.750	44.45	1/4	•	•	•	
NEW 2703-24-24-24														•	•	•		