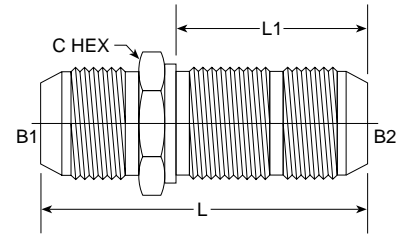


MJ-MJ Bulkhead Straight 2700 Series

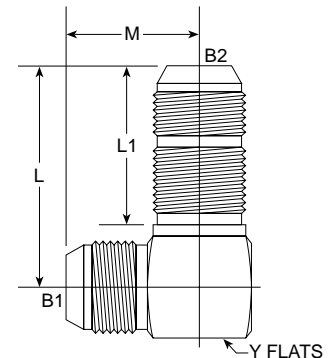
SAE# 070601 / MS# 51520



PART NO. SIZE	TUBE O.D.	B1 SAE 37	B2 SAE 37	L		L1		C HEX	C HEX	M.M.	PLATE MAX	Standard Material From Stock			
				LGTH	M.M.	LGTH	M.M.					S	FG	SS	B
2700-02-02	1/8	5/16-24	5/16-24	1.870	47.50	1.110	28.19	9/16	0.562	14.27	27/64	•		•	
2700-03-03	3/16	3/8-24	3/8-24	1.900	48.26	1.110	28.19	5/8	0.625	15.88	23/64	•		•	
2700-04-04	1/4	7/16-20	7/16-20	2.070	52.58	1.200	30.48	11/16	0.687	17.45	27/64	•		•	•
2700-05-05	5/16	1/2-20	1/2-20	2.070	52.58	1.200	30.48	3/4	0.750	19.05	27/64	•		•	
NEW 2700-06-04												•			
2700-06-06	3/8	9/16-18	9/16-18	2.180	55.37	1.280	32.51	13/16	0.812	20.62	27/64	•		•	
2700-08-08	1/2	3/4-16	3/4-16	2.440	61.98	1.440	36.58	1	1.000	25.40	31/64	•		•	
2700-10-10	5/8	7/8-14	7/8-14	2.740	69.60	1.580	40.13	1 1/8	1.125	28.58	29/64	•		•	
2700-12-12	3/4	1 1/16-12	1 1/16-12	3.090	78.49	1.750	44.45	1 3/8	1.375	34.93	33/64	•		•	
2700-14-14	7/8	1 3/16-12	1 3/16-12	3.125	79.38	1.750	44.45	1 1/2	1.500	38.10	27/64	•			
NEW 2700-16-12												•			
2700-16-16	1	1 5/16-12	1 5/16-12	3.140	79.76	1.750	44.45	1 5/8	1.625	41.28	27/64	•		•	
2700-20-20	1 1/4	1 5/8-12	1 5/8-12	3.310	84.07	1.800	45.72	1 7/8	1.875	47.63	27/64	•		•	
2700-24-24	1 1/2	1 7/8-12	1 7/8-12	3.520	89.41	1.810	45.97	2 1/8	2.125	53.98	21/64	•		•	
2700-32-32	2	2 1/2-12	2 1/2-12	4.200	106.68	2.090	53.09	2 3/4	2.750	69.85	6/16	•		•	

MJ-MJ Bulkhead 90° 2701 Series

SAE# 070701 / MS# 51507



PART NO. SIZE	TUBE O.D.	B1 SAE 37	B2 SAE 37	L		L1		M		Y FLATS	Y FLATS	M.M.	PLATE MAX	Standard Material From Stock			
				LGTH	M.M.	LGTH	M.M.	LGTH	M.M.					S	FG	SS	B
2701-03-03	3/16	3/8-24	3/8-24	1.500	38.10	0.920	23.37	0.940	23.88	7/16	0.438	11.13		•	•	•	
2701-04-04	1/4	7/16-20	7/16-20	1.590	40.39	1.020	25.90	0.970	24.64	1/2	0.500	12.70	5/16	•	•	•	
2701-05-05	5/16	1/2-20	1/2-20	1.720	43.69	1.020	25.90	1.060	26.92	9/16	0.562	14.27	17/64	•	•	•	
2701-06-06	3/8	9/16-18	9/16-18	1.810	45.97	1.184	30.07	1.090	27.69	5/8	0.625	15.88	19/64	•	•	•	
2701-08-08	1/2	3/4-16	3/4-16	2.110	53.59	1.250	31.75	1.360	34.54	13/16	0.812	20.62	5/16	•	•	•	
2701-10-10	5/8	7/8-14	7/8-14	2.390	60.71	1.390	35.31	1.560	39.62	15/16	0.937	23.80	3/8	•	•	•	
2701-12-12	3/4	1 1/16-12	1 1/16-12	2.760	70.10	1.560	39.62	1.780	45.21	1 1/8	1.125	28.58	25/64	•	•	•	
2701-12-16	3/4	1 1/16-12	1 5/16-12	2.750	69.85	1.560	39.62	1.910	48.51	1 3/8	1.375	34.93		•			
NEW 2701-14-14															•		
2701-16-12	1	1 5/16-12	1 1/16-12	2.790	70.87	1.560	39.62	1.800	45.72	1 3/8	1.375	34.93	25/64	•		•	
2701-16-16	1	1 5/16-12	1 5/16-12	2.790	70.87	1.560	39.62	1.940	49.28	1 3/8	1.375	34.93	21/64	•	•	•	
2701-20-20	1 1/4	1 5/8-12	1 5/8-12	3.120	79.25	1.610	40.89	2.170	55.12	1 3/4	1.750	44.45	1/4	•	•	•	
2701-24-24	1 1/2	1 7/8-12	1 7/8-12	3.430	87.12	1.620	41.15	2.340	59.44	2	2.000	50.80	19/64	•	•	•	