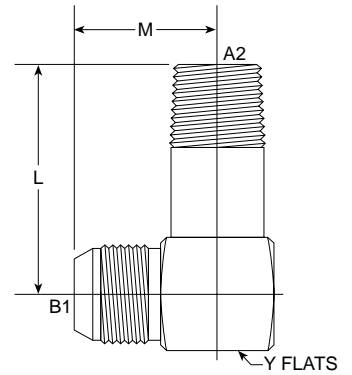


MJ-MP 90° Long 2501-L Series

SAE# 071502



PART NO. SIZE	TUBE O.D.	B1 SAE 37	A2 NPTF	L LGTH M.M.	M LGTH M.M.	Y FLATS	Y FLATS	M.M.	Standard Material From Stock					
									S	FG	SS	B		
2501-L-04-02	1/4	7/16-20	1/8-27	1.171	29.74	0.890	22.61	1/2	0.500	12.70	•	•	•	
2501-L-04-04	1/4	7/16-20	1/4-18	1.580	40.13	0.970	24.64	5/8	0.625	15.88	•	•	•	
2501-L-05-02	5/16	1/2-20	1/8-27	1.170	29.72	0.953	24.21	9/16	0.562	14.27	•		•	
2501-L-05-04	5/16	1/2-20	1/4-18	1.580	40.13	0.953	24.21	9/16	0.562	14.27	•		•	
2501-L-06-02	3/8	9/16-18	1/8-27	1.229	31.22	1.062	26.97	5/8	0.625	15.88	•		•	
2501-L-06-04	3/8	9/16-18	1/4-18	1.580	40.13	1.062	26.97	5/8	0.625	15.88	•	•	•	
2501-L-06-06	3/8	9/16-18	3/8-18	1.828	46.43	1.156	29.36	13/16	0.812	20.62	•	•	•	
2501-L-06-08	3/8	9/16-18	1/2-14	2.250	57.15	1.220	30.99	15/16	0.937	23.80	•	•	•	
2501-L-08-04	1/2	3/4-16	1/4-18	1.840	46.74	1.250	31.75	13/16	0.812	20.62	•		•	
2501-L-08-06	1/2	3/4-16	3/8-18	1.828	46.43	1.250	31.75	13/16	0.812	20.62	•	•	•	•
2501-L-08-08	1/2	3/4-16	1/2-14	2.230	56.64	1.250	31.75	15/16	0.937	23.80	•	•	•	
2501-L-08-12	1/2	3/4-16	3/4-14	2.437	61.90	1.406	35.71	1 1/8	1.125	28.58	•		•	
2501-L-10-08	5/8	7/8-14	1/2-14	2.171	55.14	1.453	36.91	15/16	0.937	23.80	•	•	•	
2501-L-10-12	5/8	7/8-14	3/4-14	2.480	62.99	1.550	39.37	1 1/8	1.125	28.58	•		•	
2501-L-12-08	3/4	1 1/16-12	1/2-14	2.250	57.15	1.660	42.16	1 1/8	1.125	28.58	•		•	
2501-L-12-12	3/4	1 1/16-12	3/4-14	2.437	61.90	1.660	42.16	1 1/8	1.125	28.58	•	•	•	
2501-L-12-16	3/4	1 1/16-12	1-11 1/2	3.010	76.45	1.760	44.70	1 5/16	1.312	33.34	•	•	•	
2501-L-14-12	7/8	1 3/16-12	3/4-14	2.590	65.79	1.800	45.72	1 1/4	1.250	31.75	•		•	
2501-L-16-12	1	1 5/16-12	3/4-14	2.630	66.80	1.810	45.97	1 3/8	1.375	34.93	•		•	
2501-L-16-16	1	1 5/16-12	1-11 1/2	3.015	76.58	1.810	45.97	1 3/8	1.375	34.93	•	•	•	
2501-L-20-20	1 1/4	1 5/8-12	1 1/4-11 1/2	3.687	93.65	2.062	52.37	1 3/4	1.750	44.45	•	•	•	
2501-L-24-24	1 1/2	1 7/8-12	1 1/2-11 1/2	4.109	104.37	2.323	59.00	2	2.000	50.80	•		•	