



NEW T.R.A.P.™ Breather Part Number P564669

Eliminates Water & Dirt from Hydraulic Reservoirs Faster Than Silica Gel Breathers!



Features and Benefits

- Patented Media**
 Reduces dewpoint temperatures to prevent condensation inside tanks and reservoirs to help prevent corrosion, maintain fluid quality, and extend fluid life.
- Highly Efficient**
 Stops particle sizes down to 3µm @ 97%.
- Easy To Install**
 Lightweight....simply hand tighten.
- Reversible Flow**
 Reversible flow through media allows moisture to exit the tank or reservoir.
- Rugged Design**
 Effective to -40°F. Robust housing protects media. Because it withstands high vibration, T.R.A.P. is suitable for both stationary and mobile applications.
- Visual Indicator**
 Actuated by pressure differential, flashes red to indicate change out is needed. Indicator setting, 1 PSID

- Rated Airflow: 75 SCFM Max.
- Operating temperature range -40°F to +150°F / -40°C to 66°C

NEW! Donaldson Breathers with Thermally Reactive Advanced Protection (T.R.A.P.) provide fast-acting protection for hydraulic reservoirs against airborne moisture and particulate contamination.

Patented Donaldson T.R.A.P. technology eliminates moisture condensation in hydraulic system reservoirs. Moisture is prevented from entering and is actually “pumped” out with each flow cycle.

For more detailed specifications see page 191.

Spin-On Breather Filters

Donaldson Part No.	Use with Adapter	Micron Rating	Length (in./mm)	Diameter (in./mm)	Flow (scfm/gpm)
P564424	P562627 or P562628	10 micron nom.	3.6/91	3.7/94	15/112
P556005	P562627 or P562628	10 micron nom.	5.4/137	3.7/94	23/172
P562198	P173544	10 micron nom.	5.4/137	3.7/94	23/172
P565069	P173544	10 micron nom.	7.9/200	3.7/94	28/216
P560693	P173544	10 micron abs.	5.4/137	3.7/94	23/172
P564357	P173544	5 micron abs.	7.9/200	3.7/94	28/216
P179089	P173544	10 micron abs.	7.9/200	3.7/94	28/216
P169430	P173545	3 micron abs.	6.7/170	5.0/127	35/262
P167832	P173545	3 micron abs.	10.7/272	5.0/127	42/314
P550386	P173545	3 micron nom.	6.7/170	5.0/127	35/262
P550250	P173545	3 micron nom.	10.7/272	5.0/127	42/314
P167162	P173545	5 micron abs.	6.7/170	5.0/127	59/440
P165762	P173545	5 micron abs.	10.7/272	5.0/127	64/479
P550388	P173545	10 micron nom.	6.7/170	5.0/127	59/440
P550251	P173545	10 micron nom.	10.7/272	5.0/127	64/479
P165875	P173545	10 micron abs.	6.7/170	5.0/127	59/440
P165876	P173545	10 micron abs.	10.7/272	5.0/127	64/479

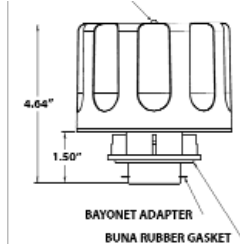
T.R.A.P.™ Breather Specifications

New breather technology eliminates moisture and dirt from hydraulic reservoirs

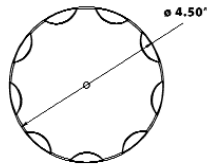


P565616 P566156 (no indicator version)

Available with or without electronic indicator

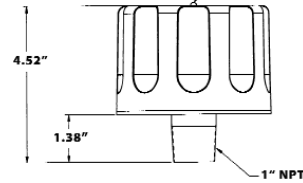


Top View

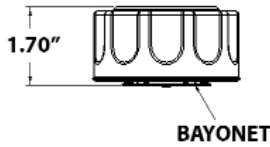


P564669 P566151 (no indicator version)

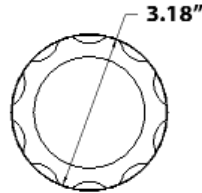
Available with or without electronic indicator



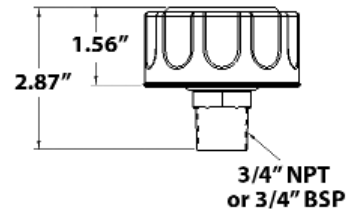
P565858



Top View



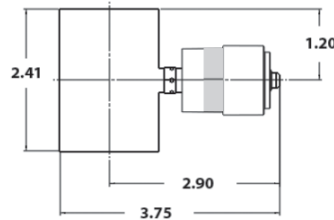
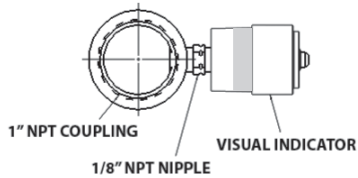
P565857 (3/4" NPT version) P566037 (3/4" BSP version)



Mechanical Indicator Kit P566168

Suitable for use with P566151 and P565857*

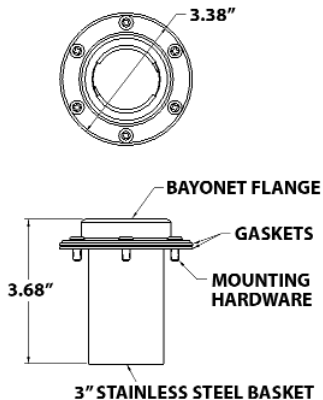
*Requires additional 3/4" x 1" reducer bushing (supplied by customer)



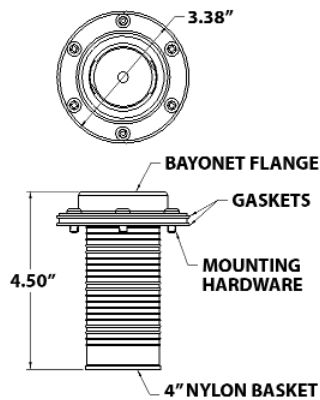
Bayonet Style Filler Basket/Flange Kits

Use with any bayonet style T.R.A.P. Breather

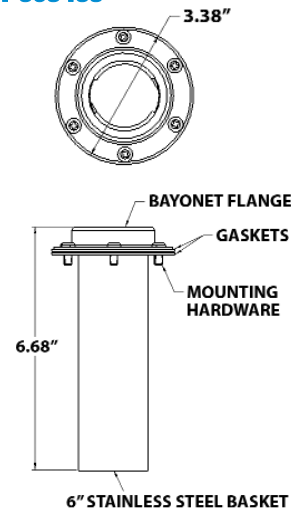
P566321



P563874



P563453



Donaldson®

Technical Features

- **Particulate Filter**

Highly efficient pleated particulate filter stops particle sizes down to 3 μm at 97%.

- **Operating Temperature Range**

-40°F to +200°F / -40°C to 66°C

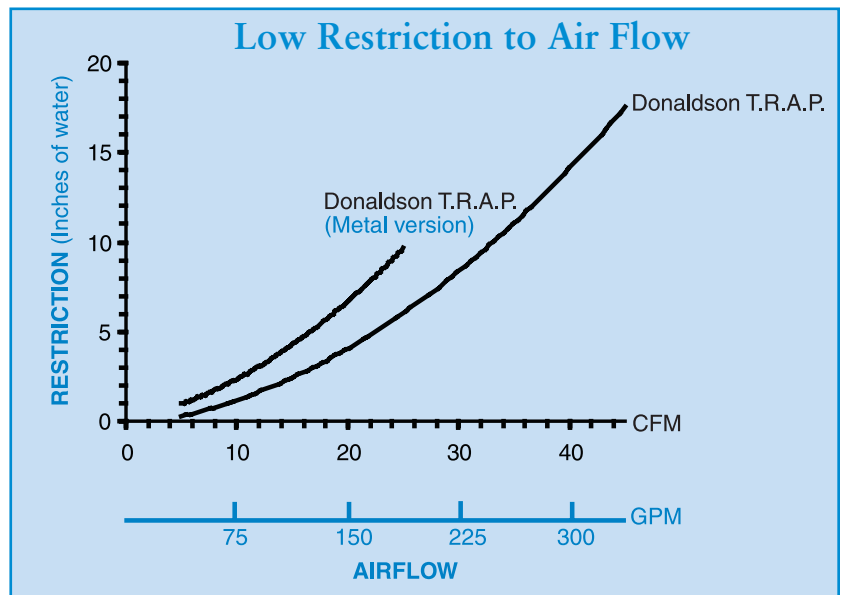
- **Electronic Indicator**

Actuated by pressure differential, flashes red to indicate change out is needed. Indicator setting, 1 PSID.

Indicator power source:
3V lithium battery CR2032

- **Mechanical Indicator Kit**

Install kit between reservoir and T.R.A.P. breather. Lock-up style indicator with manual reset. Highly visible, bright red band shows when restriction limit is reached. Indicator setting, 20" H₂O.



Apply T.R.A.P. based on fluid exchange rate, not reservoir size.

T.R.A.P. Breather... Moisture meets its match.

Part Number	Construction	Connection	Airflow	Indicator*
P566151	Glass-filled ABS	1" NPT	45 CFM Max.	Optional mechanical
P566156	Glass-filled ABS	Bayonet	45 CFM Max.	No
P564669	Glass-filled ABS	1" NPT	45 CFM Max.	Electronic
P565616	Glass-filled ABS	Bayonet	45 CFM Max.	Electronic
P565857	Epoxy Coated Steel	3/4" NPT	25 CFM Max.	Optional mechanical
P565858	Epoxy Coated Steel	Bayonet	25 CFM Max.	No
P566037	Epoxy Coated Steel	3/4" BSP	25 CFM Max.	No

*In environments with combustible dusts or fuel vapors, use non-electrical indicator T.R.A.P. models only.

Suggested service interval for models without indicator is 6 months.



Donaldson Company, Inc.
Industrial Hydraulics
P.O. Box 1299
Minneapolis, MN
55440-1299 U.S.A.

Tel 800.846.1846 (USA)
Fax 952.703.4652
hydraulicfilters@mail.donaldson.com
www.donaldson.com

Information in this document is subject to change without notice.

© 2007 Donaldson Co., Inc.
Printed in U.S.A. on recycled paper

Brochure No. HYD-211