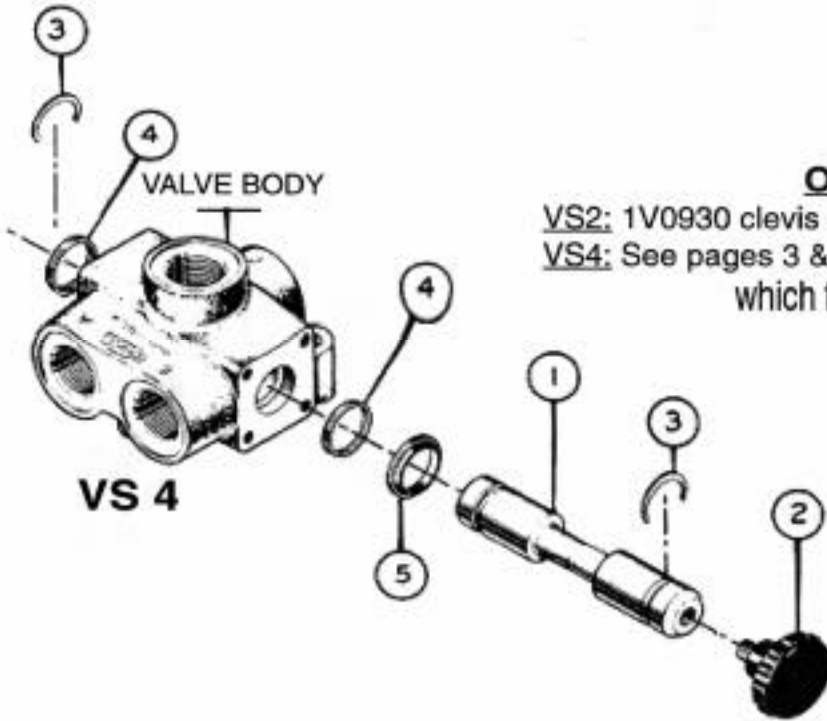


**MODEL VS 2 AND VS 4  
Single Selector Valves**



**Optional kits**

VS2: 1V0930 clevis actuator kit shown opposite  
VS4: See pages 3 & 4: the VS4 accepts all kits  
 which fit the SD4 (shown opposite)

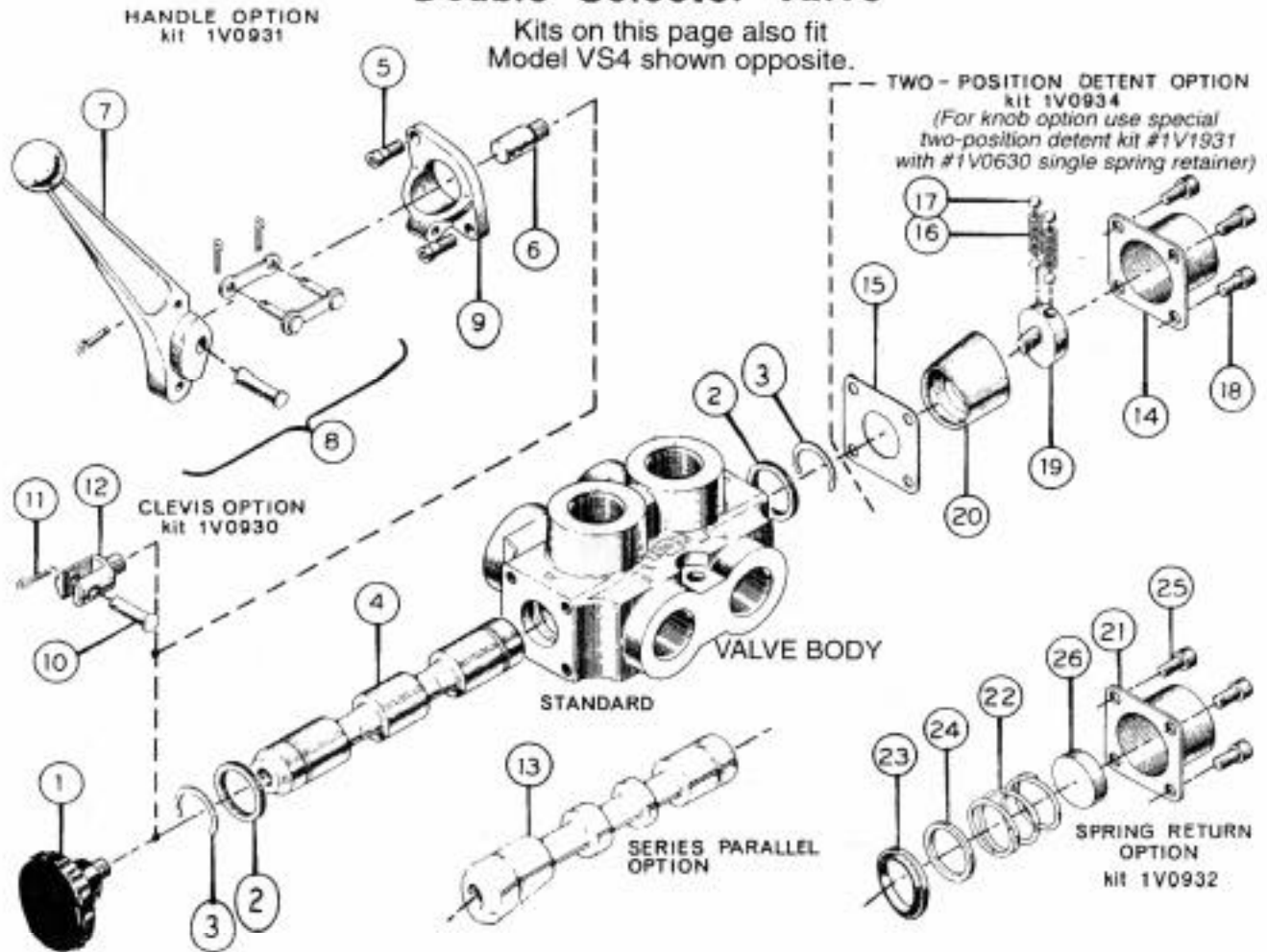
CROSS MANUFACTURING INC.  
 reserves the right to discontinue  
 products and/or change design,  
 specifications or prices at any time  
 without incurring any obligation.

| ○   | PART NUMBER |        | DESCRIPTION | QTY. |
|-----|-------------|--------|-------------|------|
|     | VS2         | VS4    |             |      |
| 1   | 1V0230      | 1V0571 | SPOOL       | 1    |
| 2   | 1A0768      |        | KNOB        | 1    |
| 3   | 1A9002      | 1A9045 | SNAP RING   | 2    |
| 4   | 1A9033      | 1A9035 | QUAD SEAL   | 2    |
| 5   |             | 1A0795 | DUST SEAL   | 1    |
| ... | 2V0007      | 2V0022 | SEAL KIT    | REF. |

*The select-fit honing process at factory, which fits a spool to an individual valve body, eliminates the possibility of ordering the valve body or spool as a separate item.*

# MODEL SD Double Selector Valve

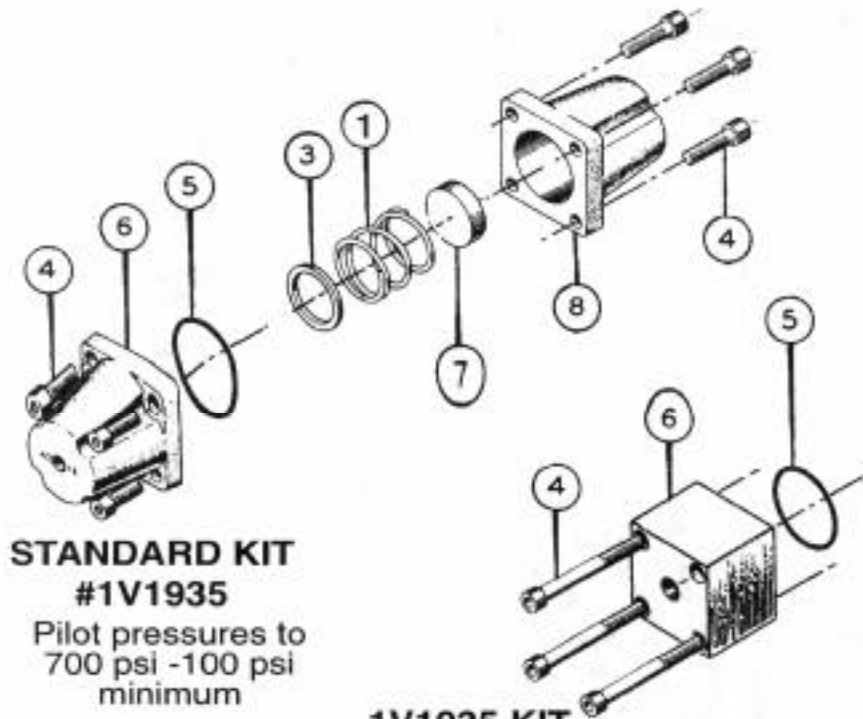
Kits on this page also fit  
Model VS4 shown opposite.



| STANDARD ASSEMBLY                 |             |                |            | SERIES PARALLEL OPTION   |             |                        |            |
|-----------------------------------|-------------|----------------|------------|--|-------------|------------------------|------------|
| ○                                 | PART NUMBER | DESCRIPTION    | QTY. REQD. | ○  | PART NUMBER | DESCRIPTION            | QTY. REQD. |
| 1                                 | 1A0768      | KNOB           | 1          | 13   | 1V1722      | SPOOL, SERIES PARALLEL | 1          |
| 2                                 | 1A9035      | QUAD X- SEAL   | 2          | <b>TWO POSITION DETENT OPTION (KIT 1V0934)</b>   |             |                        |            |
| 3                                 | 1A9045      | SNAP RING      | 2          | <i>#1V1931 two-position detent kit for knob option uses #1V0630 retainer with 1 spring &amp; 2 balls</i> |             |                        |            |
| 4                                 | 1V0703      | SPOOL          | 1          | 14   | 1A0294P     | END CAP                | 1          |
|                                   |             | SHIPPING PLUG  | 6          | 15   | 1A0710      | SPACER                 | 1          |
|                                   | 2V0022      | SEAL KIT       | 0          | 16   | 1A0739      | DETENT SPRING          | 2          |
| <b>HANDLE OPTION (KIT 1V0931)</b> |             |                |            | 17   | 2A0017-8    | STEEL BALL             | 4          |
| 5                                 | 2A0079-404N | MACHINE SCREW  | 2          | 18   | 2A0079-404N | MACHINE SCREW          | 4          |
| 6                                 | 1V0633      | HANDLE ADAPTER | 1          | 19   | 1V0272      | DETENT RETAINER        | 1          |
| 7                                 | 1V1703      | HANDLE         | 1          | 20   | 1V1811      | DETENT SLEEVE          | 1          |
| 8                                 | 1V1730      | PIN KIT        | 1          | <b>SPRING RETURN OPTION (KIT 1V0932)</b>   |             |                        |            |
| 9                                 | 1V1826      | BRACKET        | 1          | 21   | 1A0294P     | END CAP                | 1          |
| <b>CLEVIS OPTION (KIT 1V0930)</b> |             |                |            | 22   | 1A9008      | CENTERING SPRING       | 1          |
| 10                                | 1A9193      | CLEVIS PIN     | 1          | 23   | 1A0795      | DUST SEAL              | 1          |
| 11                                | 2A0309-204P | COTTER PIN     | 1          | 24   | 1A9046      | WASHER                 | 1          |
| 12                                | 1V0262      | SPOOL CLEVIS   | 1          | 25   | 2A0079-404N | MACHINE SCREW          | 4          |
|                                   |             |                |            | 26   | 1V0216      | RUBBER SPACER          | 1          |

The select-fit honing process at factory, which fits a spool to an individual valve body, eliminates the possibility of ordering the valve body or spool as a separate item.

# PILOT OPERATOR with SPRING RETURN (fits either VS4 or SD)



## STANDARD KIT #1V1935

Pilot pressures to  
700 psi -100 psi  
minimum



## HEAVY DUTY KIT #1V1417

Pilot pressures to  
system psi -100 psi  
minimum

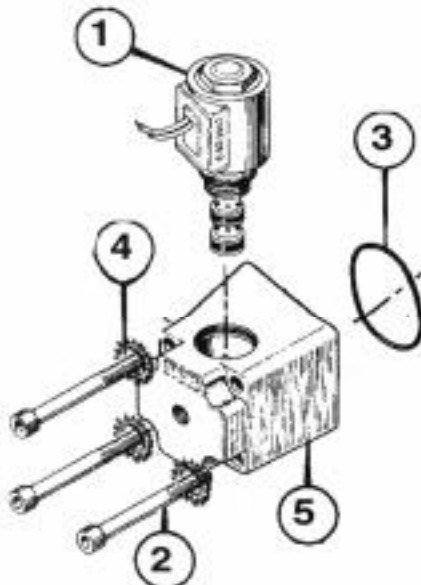
### 1V1935 KIT

### 1V1417 KIT

When a pilot actuator is used hydraulically, the spool seal on the pilot end is not installed or removed on a field unit. For air pilot usage, this spool seal is required.

| ○ | STANDARD PART NUMBER | DESCRIPTION      | QTY. | HEAVY DUTY PART NUMBER |
|---|----------------------|------------------|------|------------------------|
| 1 | 1A9008               | CENTERING SPRING | 1    | 1A9008                 |
| 2 |                      | RETAINING RING   | 1    | 1A9045                 |
| 3 | 1A9046P              | WASHER           | 1    | 1A9046P                |
| 4 | 2A0079-406           | MACHINE SCREW    | 8    | 2A0079-420N            |
| 5 | 2A0283-9029          | O-RING           | 1    | 2A0283-9029            |
| 6 | 1V1223               | PILOT END CAP    | 1    | 1V1388                 |
| 7 | 1V0216               | SPACER           | 1    | 1V1389M                |
| 8 | 1V0279               | END CAP          | 1    | 1V1390                 |

## REPLACEMENT SOLENOID PARTS



This selector option is not field convertible because a special valve spool is required and spools are matched to the individual bodies. Parts shown are for replacement only. For spring return parts see items 4, 7 and 8 above. Selectors may be ordered with the solenoid option and spring return. For full specifications request Form No. VSOS, VSD and VVS.

| ○ | PART NUMBER | DESCRIPTION               | QTY. |
|---|-------------|---------------------------|------|
| 1 | 1A9330      | SOLENOID ASS'Y. - 12 VOLT | OPT. |
|   | 1A9331      | SOLENOID ASS'Y - 24 VOLT  | OPT. |
|   | 1A9332      | SOLENOID ASS'Y - 120 VOLT | OPT. |
|   | 1A9333      | SOLENOID ASS'Y - 240 VOLT | OPT. |
| 2 | 2A0079-424  | MACHINE SCREW             | 4    |
| 3 | 2A0283-9029 | O-RING                    | 1    |
| 4 | 2A0736-304  | LOCK WASHER               | 4    |
| 5 | 1V2068      | SOLENOID HOUSING          | 1    |